

The Exitronix LED-51/52-G3 LED emergency luminaire provides a more complete, compact and powerful light offering with a higher performance than most currently on the market.

The **GUARDIAN G3** remote monitoring and reporting system from Exitronix simplifies code compliance and significantly reduces operating and maintenance costs by offering automated testing, remote monitoring and reporting of emergency fixture status from a centralized location. For standard fixtures without remote monitoring and reporting, [click here](#).

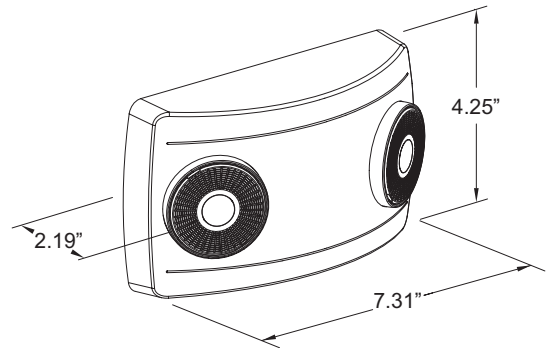
FEATURES & BENEFITS

- Includes GUARDIAN G3 self-test/self-diagnostics with remote monitoring and reporting
- Fully adjustable, 1W LED lamp heads (LED-51) or 1.5W LED lamp heads (LED-52)
- Remote option provides 2W of remote capability (LED-52 only), compatible with [JLED](#), [RL1-WP](#) and [RL52](#) remote lamps
- UL 924 Listed for Damp Locations

SPECIFICATIONS

- Illumination:** LED-51 standard with 1W LED lamp heads (2W total)
 LED-52 standard with 1.5W high-performance LED lamp heads (3W total)
- Housing:** UL 94 V-0 flame-retardant, corrosion-resistant thermoplastic
- Input:** Universal 120/277VAC input, 60Hz
- Battery:** Maintenance-free NiCad (LED-51/52-G3) or NiMH (LED-52-G3-R2)
- Operating Temp:** 10°C to 40°C (50°F to 104°F)
- Run Time:** UL Listed 90 minute emergency run time, up to 48 hour recharge time
- Electrical:** Low voltage disconnect, overload disconnect, short circuit disconnect, solid state transfer
- Mounting:** Universal knockout pattern on backplate for ceiling or wall back mount
- Finishes:** Black or White
- Options:** R2 - Remote Capable (2W - LED-52 only), compatible with [JLED](#), [RL1-WP](#) and [RL52](#) remote lamps
- Certifications:** UL 924 Listed, meets or exceeds NEC requirements and NFPA 101
- Warranty:** Any component that fails due to a manufacturing defect is guaranteed for five years with a three year prorated warranty on the battery. The warranty does not cover physical damage, abuse or instances of uncontrollable natural forces. See the full Exitronix warranty document for detailed information. (Terms and conditions apply)

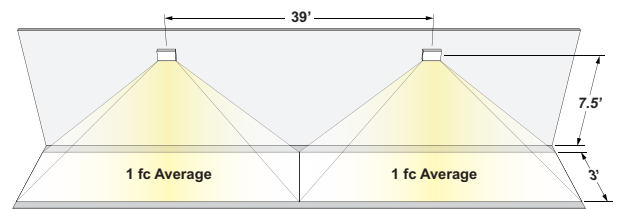
Model: _____ Date: _____
 Accessories: _____
 Job Name: _____ Type: _____



ON-CENTER SPACING (Multiple units mounted at a typical 7.5 foot height)

Model	# of LED Lamps	3' Path, 6' Corridor	6' Path, 6' Corridor
LED-51	2	18'	17'
LED-52	2	39'	30'

Barron assumes no responsibility for local requirements or specific project variables. This is a guideline to be used as a design aid, not as a guarantee of any code compliance.



ORDERING INFORMATION Example: LED-52-WH-G3-R2 For standard fixtures without remote monitoring and reporting, [click here](#).

Series	Finish	Self-test/Self-diagnostics	Options(Factory Installed)
LED-51 = 1W Lamps	BL = Black	G3 ¹ = Self-test/Self-diagnostics, Remote Monitoring and Reporting	R2 ³ = Remote Capable (2.0 Watts)
LED-52 = 1.5W Lamps	WH = White	G3PRO ^{1,2} - Self-test/Self-diagnostics, Remote Monitoring and Reporting w/Automated Email Notifications	

Accessories ⁴ (Field installed, order as separate line item)	
GTWY-PRIMARY - Primary Remote Reporting Gateway	WALLBRK-LOCKXX - Locking Wall Bracket (XX = Specify 10" or 12" Tablet)
GTWY-SECONDARY - Secondary Remote Gateway, Extends Range	STANDBRKXX - Tablet Stand (XX = Specify 10" or 12" Tablet)
ROUTER - Wireless Internet Router	STANDBRK-LOCKXX - Locking Tablet Stand (XX = Specify 10" or 12" Tablet)
TAB10 - 10" Tablet, Includes Guardian G3 Software	WG-S = Wire Guard (Back Mount)
TAB12 - 12" Tablet, Includes Guardian G3 Software	XG-1 = Polycarbonate Guard (Back Mount)
WALLBRKXX - Tablet Wall Bracket (XX = Specify 10" or 12" Tablet)	

Notes
¹ Requires additional equipment, consult factory for details ³ LED-52 only, includes NiMH battery, compatible with [JLED](#), [RL1-WP](#) & [RL52](#) remote lamps
² Requires internet connection, supplied by facility ⁴ Order as separate line item

ELECTRICAL RATINGS

Model	Battery	Brownout	Low Voltage Disconnect	Overload Disconnect	Short Circuit Disconnect	Solid State Transfer	Input				Output		
							VAC	Hz	mA	W	Lamps	Lumens	Remote Capability
LED-51-XX-G3(PRO)	NiCad 3.6V 800mAh	No	Yes	Yes	Yes	Yes	120/277	60	58/72	0.4/0.5	2 x 1W	160 lm	N/A
LED-52-XX-G3(PRO)	2 x NiCad 3.6V 800mAh	No	Yes	Yes	Yes	Yes	120/277	60	58/72	0.4/0.5	2 x 1.5W	270 lm	N/A
LED-52-XX-G3(PRO)-R2	2 x NiMh 3.6V 1500mAh	No	Yes	Yes	Yes	Yes	120/277	60	90/105	0.6/0.8	2 x 1.5W	270 lm	3.6V 2W

CONSTRUCTION

Precision-molded unit and lamp housings constructed of UL 94 V-0 flame-retardant, corrosion-resistant thermoplastic. Units resist denting, peeling, scratching and corrosion. Tool-less access provided for easy maintenance.

ILLUMINATION

LED-51-G3 units have two (2) fully-adjustable 1W LED lamps with 18' on-center spacing.
 LED-52-G3 units have two (2) fully-adjustable 1.5W LED lamps with 39' on-center spacing.

ELECTRICAL

Input
 Universal input 120/277VAC @ 60Hz

Nickel Cadmium Battery (NiCad - LED-51/52-G3)
 Nickel cadmium batteries are maintenance-free.

Nickel Metal Hydride (NiMh - LED-52-G3-R2 Only)
 Nickel metal hydride batteries are maintenance-free.

Emergency

The LED-51/52 will operate for a minimum of 90 minutes during a loss of power with an up to 48 hours maximum recharge time for the battery.

Test Button

Our test button is easy to locate and allows for manual verification of proper operation of the transfer circuit and emergency lamps.

Damp Location Rated

Damp Location Rated fixture that is normally or periodically subject to condensation of moisture in, on or adjacent to, and includes partially protected locations.

INSTALLATION

A universal J-box mounting pattern is provided for wall or ceiling mounting.

OPTIONS

Remote Capable (Option: R2 - available with LED-52 only)
 The R2 option provides an additional 2W of remote capability, compatible with [JLED](#), [RL1-WP](#) and [RL52](#) remote lamps.

CONFORMANCE TO CODES & STANDARDS

The LED-51/52 Series is UL Listed for Damp Locations and meets or exceeds the following: UL 924, NEC requirements and NFPA 101.

GUARDIAN G3 Self-test/Self-diagnostics, Remote Monitoring and Reporting

The GUARDIAN G3 remote monitoring and reporting system provides wireless communication between emergency fixtures, enabling maintenance personnel to maintain and test emergency lighting equipment from a central location. System requires additional equipment and setup, consult factory for more information.

The purpose of this option is to provide Self-testing and Self-diagnostic capabilities to the emergency unit. At predetermined intervals, the emergency unit will automatically switch into battery mode. Refer to the Self-Test Feature section below for timing details. The emergency unit will also perform various Self-diagnostic tests to determine if there are any faults. Visual signaling will alert maintenance personnel to a fault of the emergency unit electronics, battery, and/or battery charger. The circuitry continuously monitors the operating condition of the emergency unit and battery charging circuit/battery supply voltage.

Self-Test Feature

- The emergency unit will automatically switch to battery mode every month for a period of 1 minute.
- The emergency unit will automatically switch to battery mode every 12 months for a period of 90 minutes.

LED Indicator

Once the unit is properly installed according to the installation instruction sheet and AC power is supplied, the unit will turn on and the Self-diagnostic test function will initiate. After this, the bi-color LED will indicate the status of the unit.

- A steady green LED indicates that normal AC power is being supplied to the emergency unit and the battery is charged.
- A blinking green LED indicates that the unit is in battery mode. Refer to the Test Button Feature section below for manual test details.
- A red LED indicates whenever the Self-diagnostic system has detected a fault condition. Refer to the chart below to determine the fault condition:

•	Battery not connected	Check battery connection
• •	Battery failure	Check battery then consult factory
• • •	Charger board circuit fault	Check battery then consult factory
• • • •	Transfer function failure	Check battery then consult factory
• • • • •	Emergency lamp fault	Check lamp connections then consult factory
• • • • • •	Remote lamp fault (if equipped)	Check remote lamp connections then consult factory

NOTE: After solving the fault of the emergency equipment, press the test button for two seconds without releasing to reset. LED indicator will show green.

Self-testing/Self-diagnostics also has a manual test function, press test button as follows:

Press test button once	30 Second discharge test
Press test button twice within two seconds	3 Minute discharge test
Press test button three times within two seconds	30 Minute discharge test
Press test button four times within two seconds	90 Minute discharge test
Press and hold test button for eight seconds	Fixture will leave network & reset

GUARDIAN G3PRO Self-test/Self-diagnostics, Remote Monitoring and Reporting with Automated Email Notifications

The G3PRO model has the features of the standard G3 but adds automated email notifications of fixture status reports (requires internet connection, supplied by facility).