

DESCRIPTION

The LE-MS6-AUX is a DC powered, external sensor for panels and other indoor luminaires. Equipped with LiteLogic wireless Bluetooth® mesh technology and a user-friendly interface that can be programmed within minutes using just your smartphone, automation becomes effortless, energy, labor and material costs are significantly reduced, and setting up lighting control becomes a breeze. LiteLogic sensors are easily installed on-site and are compatible with a variety of Trace-Lite fixtures. Equipped with lowbay lens for mounting heights up to 15 feet.

FEATURES & BENEFITS

- Mounting heights up to 15 feet
- Built-in analog PIR sensor
- Daylight harvesting option
- Suitable for indoor use

SPECIFICATIONS

Electrical:

- Input Voltage: 12VDC
- Input Current: 25mA max
- Input Power: 0.3W

Bluetooth:

- Transmit Range: 100' max
- Radio Frequency: 2.4GHz ± 75MHz
- Bluetooth Version: 5.0

Sensor Details:

- Detection Range: up to 16'
- Mounting Height: up to 15'

Construction:

- Housing: UL 94-5VA
- IP Rating: IP20, suitable for indoor use only
- Finish: White
- Operating Temperature: -30°C to 55°C (-22°F to 131°F)
- Storage Temperature: -30°C to 85°C (-22°F to 185°F)

Testing & Compliance:

- UL Listed LED Controller, complies to UL 8750, UL 1376, Rohs
- FCC ID: 2A26YLTKTVT2022
- DesignLights® Consortium Qualified Product

Warranty:

- Five year warranty (terms and conditions apply)

Model: _____ Date: _____

Accessories: _____

Job Name: _____ Type: _____



Get it from the App Store

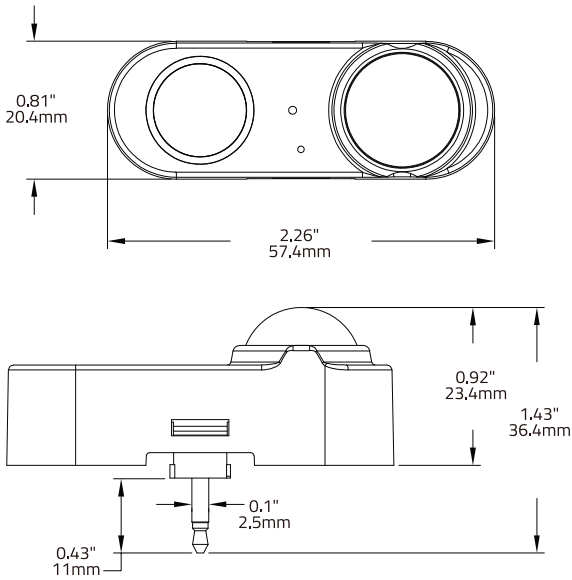
Get it from Google Play



ORDERING INFORMATION (Example: LE-MS6-AUX)

Model	Description
LE-MS6-AUX	Bluetooth Lowbay PIR Motion Sensor with Daylight Harvesting, White Finish, 12VDC, 3.5mm Audio Jack Base

Sensor Dimensions

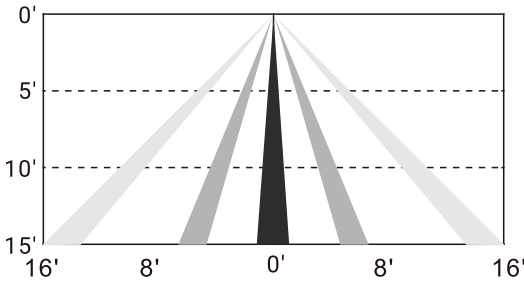


Sensor Default App Settings (See app for setting customization)

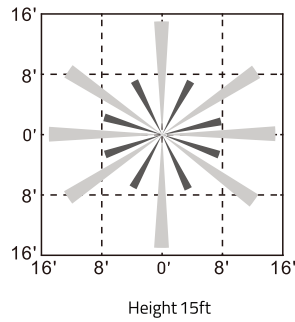
Motion Sensor:	ON
Photo Sensor:	OFF
Delay Time 1:	20 Minute
Delay Time 2:	1 Minute
Dimming Level:	50%
Sensitivity:	100%
High Trim:	100%
Low End Trim:	1% or 10% (Depending on Product)
Daylight Minimum Dim:	Low End Trim
Occupancy/Vacancy Mode:	Occupancy
Linkage:	OFF
Linkage Level:	100%
Photocell ON Threshold:	50fc
Photocell OFF Threshold:	150fc

Sensor Details

Coverage Side View

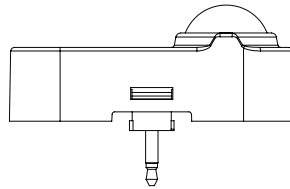


Coverage Top View



Wiring Details

Note: Receptacle included with fixture



Note: Bluetooth sensor controls do not allow for CCT selection using app. CCT must be manually selected on/in the fixture if outfitted with CCT selectable feature.