

**DESCRIPTION**

The LE-C6 is a UL924 emergency lighting control which provides a provision for remote test button or fire alarm interface. It simulates the emergency lighting function when normal power is disrupted when used with an inverter or generator system along with Litelogic bluetooth sensors and other devices.

**FEATURES & BENEFITS**

- Provision for remote test button or fire alarm interface
- Dual color function LED indicator
- Suitable for use in return air plenum
- Comply to UL924, RoHS
- Only one LE-C6 required per Zone

**SPECIFICATIONS**

**Electrical:**

- Input Voltage: 120-277VAC
- Frequency: 50/60Hz
- Input Current: 30mA
- Input Power: 5W
- Bluetooth Version: 5.0
- Bluetooth Transmit: 200ft max
- Radio Frequency: 2.4GHz ± 75MHz

**Construction:**

- Housing: UL 94-5VA
- IP Rating: IP20, Indoor Use Only
- Finish: Black
- Operating Temperature: -30°C to 50°C (-22°F to 122°F)
- Storage Temperature: -30°C to 85°C (-22°F to 185°F)

**Testing & Compliance:**

- Complies to UL 924, RoHS
- UL Listed Emergency Lighting and Power Equipment

**Warranty:**

- Five year warranty. Warranty is limited to the repair and/or replacement of this product. The warranty is covered by the Original Equipment Manufacturer. Details are available upon request.

Model: \_\_\_\_\_ Date: \_\_\_\_\_  
 Accessories: \_\_\_\_\_  
 Job Name: \_\_\_\_\_ Type: \_\_\_\_\_



For use with LiteLogic Bluetooth sensors and devices



**SEE APP FOR CONTROLLER SETTINGS**

For a complete list of LiteLogic compatible products, [click here](#).

Get it from the **App Store**



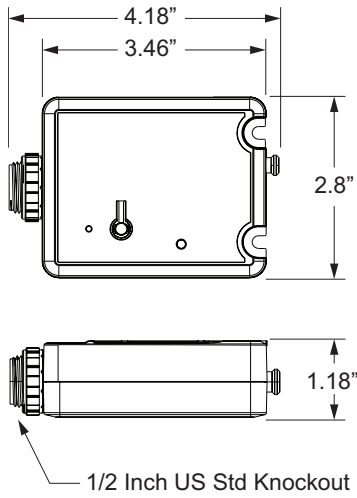
Get it from **Google Play**



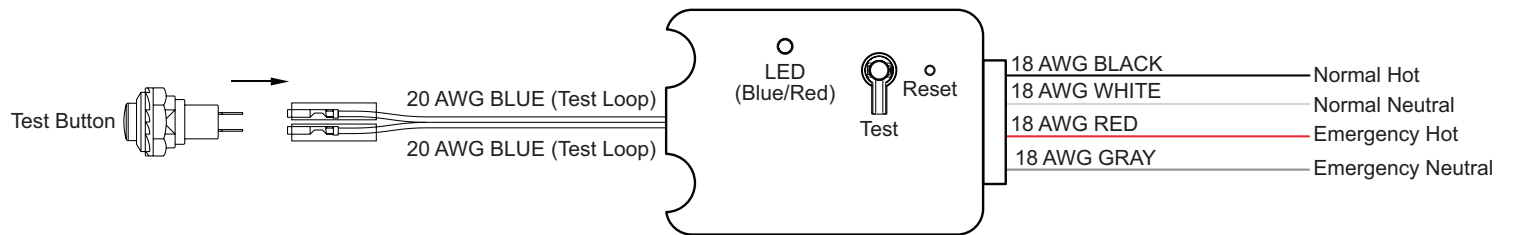
**ORDERING INFORMATION** (Example: LE-C6)

| Model | Description  |
|-------|--|
| LE-C6 | UL924 Emergency Lighting Controller, 120-277VAC, 50/60Hz, 30mA, 5W |

### Dimensions



### Wiring Diagram



Please refer to the installation document for the various applications and suggested configurations of LE-C6