

**DESCRIPTION**

The LDL200 is Trace-Lite's solution for energy-efficient, low maintenance loading dock lighting. This rugged LED lighting fixture is designed with high performance Philips® LumiLed LED chips and precisely engineered UV-resistant optics. It has a narrow beam distribution that provides optimal brightness through the entire length of a trailer. The LDL200 fixture is IP65 Rated for outdoor use (optional mounting arm is damp location rated) and is available in an industrial safety yellow finish.

**SPECIFICATIONS**

**Construction:**

- Rugged die-cast aluminum housing
- Fixture is supplied with a 20" cord and IEC 60320-C14 plug that can be plugged into arm accessory
- Chip- and fade-resistant industrial yellow powder coated finish for high visibility
- Optional 42" mounting arm featuring:
  - Two (2) hinged points for optimal positioning
  - On/Off rocker switch
  - Pre-wired arm with 6' cord and a 120V straight blade plug

**Optics/ LEDs:**

- Industrial UV-stabilized PMMA optics for precise beam control
- 11° Narrow beam distribution
- Philips® LumiLed LEDs
- 4000K CCT
- CRI ≥60

**Electrical:**

- 120-277VAC, 50/60 Hz, non-dimming driver
- 120VAC, non-dimming when installed on arm
- L70 rated for 54,000 hours

**Installation:**

- Yoke mount bracket for mounting to desired surface
- Optional mounting arm available
- Fixture aiming with adjustable hex screw on yoke

**Accessories:**

- Optional mounting arm extends to 42" (LDL-A42)

**Testing & Compliance:**

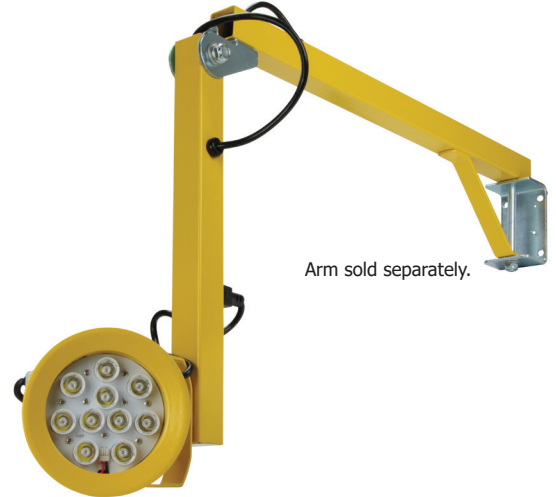
- UL Listed
- IP65 Rated (fixture only); arm assembly is damp location rated
- Operating temperature: -30°C to 40°C (-22°F to 104°F)

**Warranty:**

- Five (5) Year Warranty (Terms and Conditions Apply)

Model: \_\_\_\_\_ Date: \_\_\_\_\_  
Accessories: \_\_\_\_\_  
Job Name: \_\_\_\_\_ Type: \_\_\_\_\_

**AVAILABLE WHILE SUPPLIES LAST**



Specs at a Glance	
<b>Wattage (W)</b>	23
<b>CCT</b>	4000K
<b>Lumens (lm)</b>	2386
<b>Efficacy (LPW)</b>	100
<b>CRI</b>	≥60
<b>Equivalency</b>	100W HID
<b>Optics</b>	11° Narrow beam distribution
<b>Input Voltage</b>	120-277VAC (fixture only), 120VAC (arm)
<b>Warranty</b>	5 Years
<b>Certifications</b>	UL Listed, IP65 Rated (fixture only)
<b>Ambient Temp</b>	-30°C to 40°C (-22°F to 104°F)

**Note:** Environment and application will affect actual performance. Typical values and 25°C used for testing. Specifications subject to change without notice.

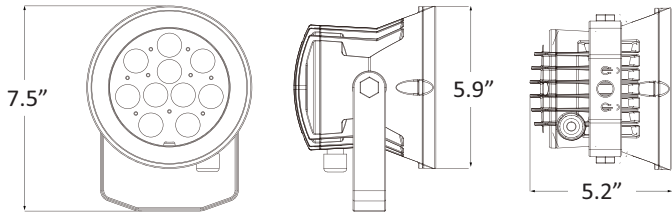
**ORDERING INFORMATION**

Model	Description	Accessories <sup>1</sup> (Field Installed)
LDL200-4K	LED Dock Light, 23W, 4000K, Yellow finish	LDL-A42 = 42" Arm

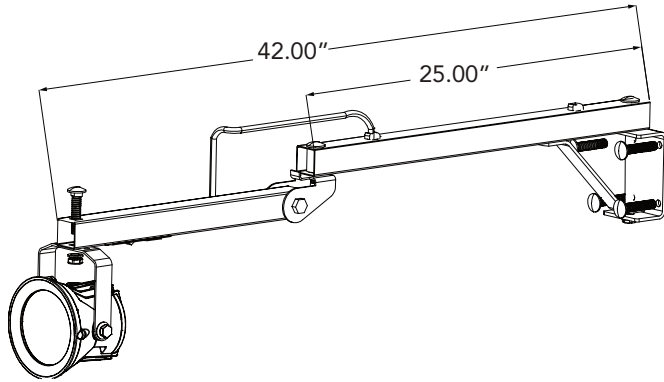
**Notes**

<sup>1</sup> Order as separate line item

**Dimensions:**  
**Weight 2.2 pounds**



**Arm Dimensions:**  
**Weight 3.75 pounds**



**Sample Photometry**

**LDL200-4K**  
NEMA TYPE 2H x 2V  
MOUNTING HEIGHT: 10 FEET  
TILT: ZERO

