



IMPORTANT SAFEGUARDS READ AND FOLLOW ALL SAFETY INSTRUCTIONS.

When using electrical equipment, basic safety precautions should always be followed including the following:

- **DISCONNECT AC POWER SUPPLY BEFORE SERVICING.**
- Installation and servicing of this equipment should be performed by qualified service personnel only.
- Ensure that the electrical wiring conforms to the National Electrical Code NEC® and local regulations if applicable.
- Do not mount near gas or electrical heaters.
- Do not use outdoors.
- Equipment should be mounted in locations and at heights where it will not be readily subjected to tampering by unauthorized personnel.
- The use of accessory equipment not recommended by the manufacturer may cause an unsafe condition.
- Any modification or use of non-original components will void the warranty and product liability.
- Cap unused wires with enclosed wire nuts or other approved method.
- Make sure wire terminals are secure and leads are properly tucked in appropriate wire channels.
- Use caution when servicing batteries.
- Do not use this equipment for other than intended use.
- Allow battery to charge for 24 hours before first use.

SAVE THESE INSTRUCTIONS!

Technical Support ■ (623) 580-8943 ■ technicalsupport@barronltg.com

Wall Mount Installation

1. Remove the EXIT faceplate from housing, set aside. Remove the hardware and LED Lamp heads, set aside. Included plastic canopy and mounting plate are not required for this installation and can be discarded.
2. Drill or knock out appropriate knockouts on backplate to fit junction box mounting points.
3. Drill or knock out center hole in backplate for supply wire leads.
4. Ensure blue and yellow lamp head wires are routed through side lamp head mounting hole (Fig 1). Attach first lamp head to housing by aligning tabs on lamp head assembly to lamp head mounting slots on the frame of the housing. Gently push lamp head down toward bottom of housing to lock into place. An audible click should be heard. Repeat to install the second lamp head (Fig 2).
5. Route lamp head wires through proper wire channel and connect to the EXIT sign lamp board.
6. Route input wires through center hole of backplate and make electrical connections; see **Electrical Connections** section.
7. Push wire connections into the junction box and secure backplate to the junction box (hardware not included).
8. Connect battery only after continuous AC power can be provided to the unit.
9. Remove proper Chevron(s) on the EXIT faceplate as required.
10. Secure faceplate to housing.
11. Apply continuous AC power and press "TEST" button to check operation. See **Operation (Battery Back-up)** section for testing procedures

Fig. 1

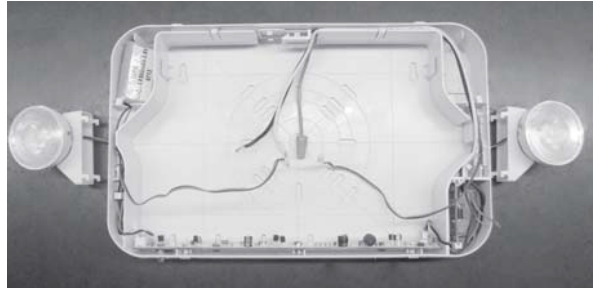
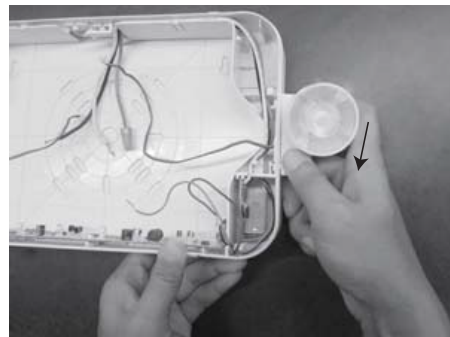


Fig. 2



Ceiling Mount Installation

1. Remove the EXIT faceplate from housing and set aside. Remove the canopy kit, hardware pack, mounting plate and LED Lamp heads from inside the EXIT, set aside.
2. Place screws (provided) in holes on the canopy.
3. Remove the mounting hole plug located on the top of the frame of the sign.
4. Place the canopy tab through the mounting hole of the housing until the flat portion of the canopy is touching the housing frame. Lock the canopy into place by sliding the canopy, without turning, toward the smaller end of the mounting hole until the tab is fully engaged and locked into place. Once canopy is in the locked position there will not be any side-to-side movement of the canopy.
5. Ensure blue and yellow lamp head wires are routed through side lamp head mounting hole (Fig 1). Attach first lamp head to housing by aligning tabs on lamp head assembly to lamp head mounting slots on the frame of the housing. Gently push lamp head down toward bottom of housing to lock into place. An audible click should be heard. Repeat to install the second lamp head (Fig 2).

6. Route lamp head wires through proper wire channel and connect to the EXIT sign lamp board.
7. Route input wires through canopy and through metal mounting plate and make electrical connections; see **Electrical Connections** section.
8. Push wire connections into the junction box and secure mounting plate to the junction box (hardware not included).
9. Connect battery only after continuous AC power can be provided to the unit.
10. Remove proper Chevron(s) on the EXIT faceplate as required.
11. Secure faceplate to housing.
12. Apply continuous AC power and press "TEST" button to check operation. See **Operation (Battery Back-up)** section for testing procedures

End Mount Installation (with one lamp head)

1. Remove the EXIT faceplate from housing and set aside. Remove the canopy kit, hardware pack, mounting plate and LED Lamp heads from inside the EXIT, set aside.
2. Place screws (provided) in holes on the canopy.
3. Remove the mounting hole plug located on the side of the frame of the sign.
4. Place the canopy tab through the mounting hole of the housing until the flat portion of the canopy is touching the housing frame. Lock the canopy into place by sliding the canopy, without turning, toward the smaller end of the mounting hole until the tab is fully engaged and locked into place. Once canopy is in the locked position there will not be any side-to-side movement of the canopy.
5. Ensure blue and yellow lamp head wires are routed through side lamp head mounting hole (Fig 1). Attach first lamp head to housing by aligning tabs on lamp head assembly to lamp head mounting slots on the frame of the housing. Gently push lamp head down toward bottom of housing to lock into place. An audible click should be heard (Fig 2).
6. Route lamp head wires through proper wire channel and connect to the EXIT sign lamp board.
7. Route input wires through canopy and through metal mounting plate and make electrical connections; see **Electrical Connections** section.
8. Push wire connections into the junction box and secure mounting plate to the junction box (hardware not included).
9. Connect battery only after continuous AC power can be provided to the unit.
10. Remove proper Chevron(s) on the EXIT faceplate as required.
11. Secure faceplate to housing.
12. Apply continuous AC power and press "TEST" button to check operation. See **Operation (Battery Back-up)** section for testing procedures

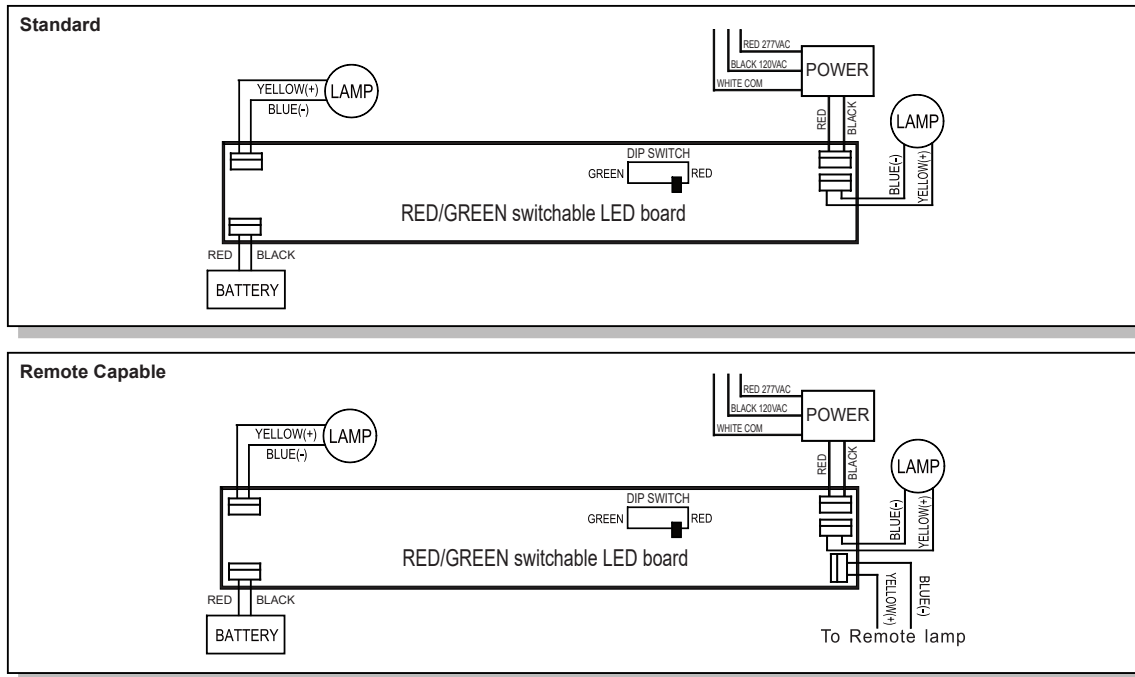
Max. Mounting Height

Model	Height
ILXC	19.8 ft

Electrical Connections

Note: Cap off the UNUSED input lead. Failure to do so can cause an unsafe operating condition.

- If using 120VAC, connect the black and white wires to the building utility.
- If using 277VAC, connect the red and white wires to the building utility.



Red-to-Green Conversion

1. Remove the faceplate(s) from the unit's housing.
2. Gently pop out the red diffuser lens from the faceplate(s). Replace the green diffuser lens onto the faceplate(s).
3. Toggle the dip switch from R to G on the RED/GREEN switchable LED board.
4. Replace the faceplate(s) on the housing to finish installation.

Single-to-Double Face Conversion

1. Remove the faceplate from the unit's housing.
2. Remove the backplate by pushing out the two locking clips on the inside of the unit's housing.
3. Attach the two EXIT faceplates to the housing to complete the conversion.

Operation (Battery Backup)

1. Apply AC power to the unit. The LED indicator should turn RED.
2. After the battery has been left to charge for 24 hours, test the unit by pushing the switch. The LED indicator turns OFF and the lamp heads should turn ON at this time.
3. When the switch is released, the LED indicator turns back to RED, the LED board stays ON and the lamp heads should turn OFF at this time.

Maintenance

The Battery supplied with Battery backup model requires no maintenance. However, it should be tested periodically and replaced when it no longer operates the connected fixture for the duration of a 30-second or 90-minute test. The battery supplied in this equipment has a life expectancy of 5 years when used in a normal ambient temperature of 72°F.

Testing

National Electric Code (NEC) and NFPA life safety code regulations require that routine tests need to be performed as listed below. Once every month, the unit needs to be tested for a duration of 30 seconds. Push/hold the test switch to perform this test. Once every 12 months, a full 90 minute (per UL requirements) test needs to be performed on the unit. Disconnect power to the unit and leave it in the emergency mode. The LEDs should stay ON for at least 90 minutes.