



IMPORTANT SAFEGUARDS READ AND FOLLOW ALL SAFETY INSTRUCTIONS.

When using electrical equipment, basic safety precautions should always be followed including the following:

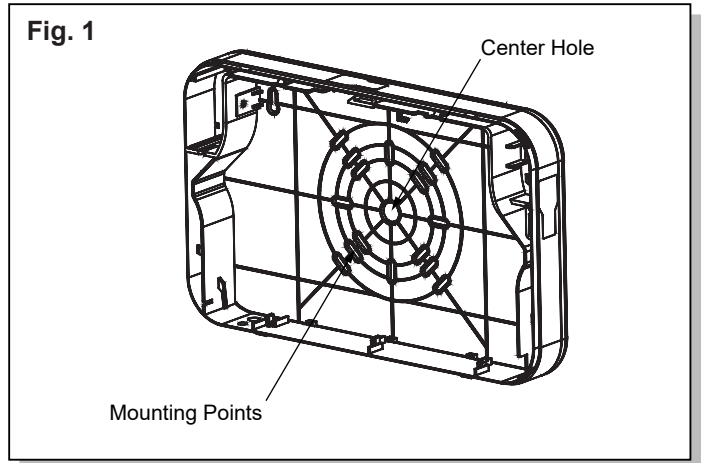
- **DISCONNECT AC POWER SUPPLY BEFORE SERVICING.**
- Installation and servicing of this equipment should be performed by qualified service personnel only.
- Ensure that the electrical wiring conforms to the National Electrical Code NEC® and local regulations if applicable.
- Do not mount near gas or electrical heaters.
- Do not use outdoors.
- Equipment should be mounted in locations and at heights where it will not be readily subjected to tampering by unauthorized personnel.
- The use of accessory equipment not recommended by the manufacturer may cause an unsafe condition.
- Any modification or use of non-original components will void the warranty and product liability.
- Do not use this equipment for other than intended use.
- Allow battery to charge for 24 hours before first use.

SAVE THESE INSTRUCTIONS!

Technical Support ■ (623) 580-8943 ■ technicalsupport@barronltg.com

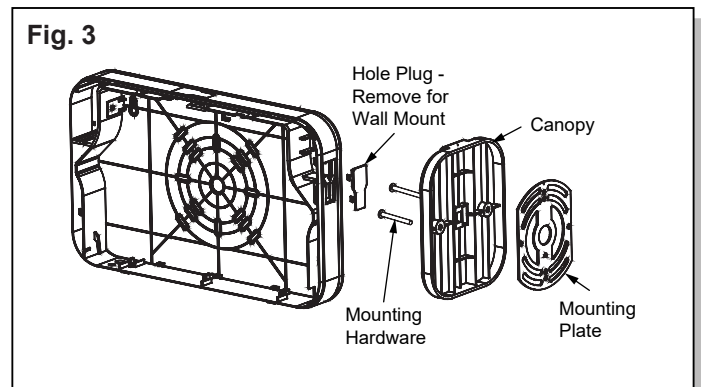
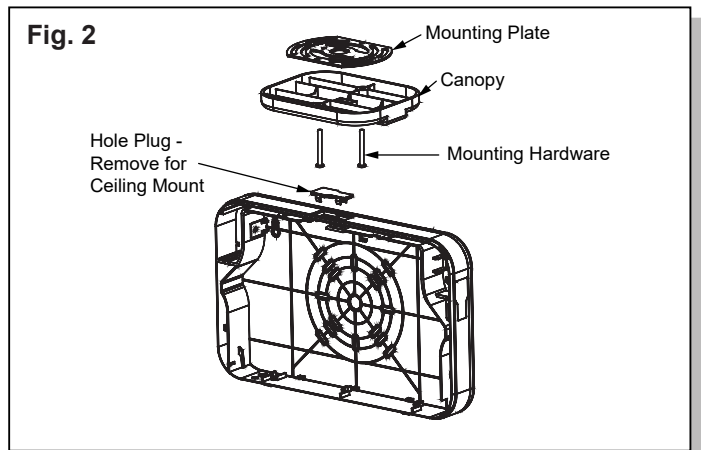
Wall Mount Installation

1. Remove EXIT faceplate from housing, set aside.
2. Drill or knock out appropriate knockouts on backplate to fit junction box mounting points. (Fig. 1)
3. Drill or knock out center hole in backplate for supply wire leads.
4. Route input wires through center hole of the backplate and make electrical connections; see **Electrical Connections** section.
5. Push wire connections into the J-Box. Secure mounting plate to junction box (hardware not included).
6. Secure backplate to junction box (hardware not included).
7. Connect battery only after continuous AC power can be provided to the unit.
8. Remove proper chevron(s) as required. When removing chevrons it may be helpful to remove the color diffuser panel to allow easier access to the chevrons. If removing color diffuser panel it is important to remember to reinstall the diffuser panel, securing with diffuser retention caps once chevron(s) have been removed.
9. Secure the faceplate to the housing.
10. Apply continuous AC power and press "TEST" button to check operation. See **Operation (Battery Back-up)** section for testing procedures



Ceiling and End Mount Installation

1. Remove EXIT faceplate from housing, set aside.
2. Place screws (provided) in holes on the canopy.
3. Remove the desired mounting hole plug located on the frame of the sign. For ceiling mount, hole plug will be located on the top of the housing. (Fig. 2) For wall mount, hole plug will be located on the side of the housing. (Fig. 3)
4. Place canopy tab through the mounting hole of the housing until the flat portion of the canopy is touching the housing frame. Lock the canopy into place by sliding the canopy, without turning, toward smaller end of the mounting hole until the tab is fully engaged and locked into place. Once canopy is in the locked position there will not be any side-to-side movement of the canopy.
5. Route input wires through canopy and through metal mounting plate.
6. Make electrical connections; see **Electrical Connections** section.
7. Push wire connections into the J-Box. Secure mounting plate to junction box (hardware not included).

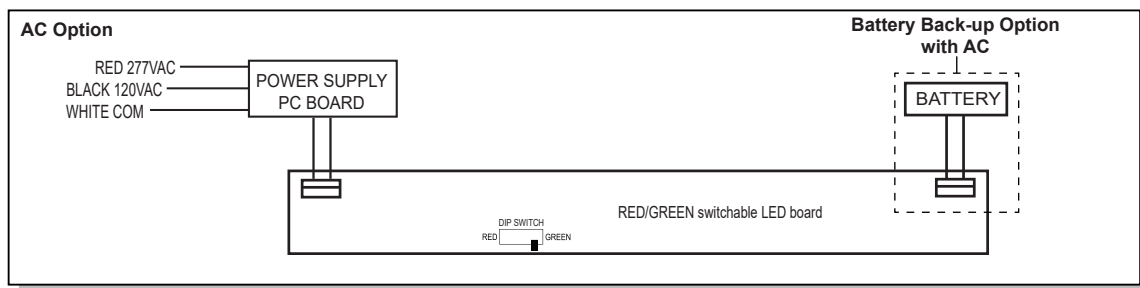


- Secure the canopy to the steel mounting plate with screws installed in step 2.
- Remove proper chevron(s) as required. When removing chevrons it may be helpful to remove the color diffuser panel to allow easier access to the chevrons. If removing color diffuser panel it is important to remember to reinstall the diffuser panel, securing with diffuser retention caps once chevron(s) have been removed.
- Connect battery only after continuous AC power can be provided to the unit.
- Secure faceplate(s) to the housing.
- Apply continuous AC power and press "TEST" button to check operation. See **Operation (Battery Back-up)** for testing procedures.

Electrical Connections (Fig. 4)

Note: Cap off the UNUSED input lead. Failure to do so can cause an unsafe operating condition.

- If using 120VAC, connect the black and white wires to the building utility.
- If using 277VAC, connect the red and white wires to the building utility.



Red-to-Green Conversion

- Remove the faceplate(s) from the unit's housing.
- Gently pop out the red diffuser lens from the faceplate(s). Replace the green diffuser lens onto the faceplate(s).
- Toggle the dip switch from R to G on the RED/GREEN switchable LED board.
- Replace the faceplate(s) on the housing to finish installation.

Single-to-Double Face Conversion

- Remove the faceplate from the unit's housing.
- Remove the backplate by pushing out the two locking clips on the inside of the unit's housing.
- Attach the two EXIT faceplates to the housing to complete the conversion.

Operation (Battery Backup)

- Apply AC power to the unit. The LED indicator should turn RED.
- After the battery has been left to charge for 24 hours, test the unit by pushing the switch. The LED indicator turns OFF and the LED board stays ON.
- When the switch is released, the LED board stays ON and the LED indicator turns back to RED.

Maintenance

The Battery supplied with Battery backup model requires no maintenance. However, it should be tested periodically and replaced when it no longer operates the connected fixture for the duration of a 30-second or 90-minute test. The battery supplied in this equipment has a life expectancy of 5 years when used in a normal ambient temperature of 72°F.

Testing

National Electric Code (NEC) and NFPA life safety code regulations require that routine tests need to be performed as listed below. Once every month, the unit needs to be tested for a duration of 30 seconds. Push/hold the test switch to perform this test. Once every 12 months, a full 90 minute (per UL requirements) test needs to be performed on the unit. Disconnect power to the unit and leave it in the emergency mode. The LEDs should stay ON for at least 90 minutes.