

The HAE LED EXIT Series is a high-performance exit sign designed to withstand demanding environments, making it ideal for correctional facilities and other public areas where safety and security are paramount.

The HAE series features a robust cold rolled or stainless steel enclosure, a polycarbonate lens, and vandal-resistant hardware, ensuring durability in even the toughest applications. It is available in side, wall, or top mounting configurations, with red or green LEDs. Additional options include self-test/self-diagnostics (G2) and a IP65 rating (WL). The HAE series is the perfect solution for providing clear and reliable exit signage in entryways, stairwells, corridors, and other areas within correctional facilities, detention centers, behavioral health centers, public housing, parks, hospitals, or any space requiring a heavy-duty, vandal-resistant EXIT sign.

FEATURES AND BENEFITS

- Durable, high-abuse construction
- Vandal-resistant hardware
- Available in side, top and wall mount configurations
- Self-test/self-diagnostics (G2) and IP65 (WL) options available

SPECIFICATIONS

Illumination: Constant, uniform illumination by long-life, high intensity, red or green LEDs

Housing: One piece die-formed cold rolled or stainless steel

Input: 120/277V Dual primary, 60Hz input

Battery: Maintenance-free NiCad battery

Operating Temp: 50°F to 113°F (10°C to 45°C)

Run Time: 90 Minute emergency run time, 24 hour recharge time

Legend: Fully-illuminated 6" characters with 3/4" stroke, field selectable directional chevrons included for all configurations, includes red and green diffusers

Mounting: Wall, Top, or Side Mount

Finishes: Black, White, or Brushed Finish

Options: Self-Test/Self-Diagnostics (Option: G2)
Wet Location Rated, Rated IP65 (Option:WL)

Certifications: Salt spray test: 1,000 hours; Reflectance: 92%
IP65 per IEC 60598, meets or exceeds UL 924 and NFPA 101 Standards, meets or exceeds CSA and NRCAN requirements

Warranty: Any component that fails due to a manufacturing defect is guaranteed for five years with a separate five year prorated warranty on the battery. The warranty does not cover physical damage, abuse or instances of uncontrollable natural forces. See the full Exitronix warranty document for detailed information. (Terms and Conditions apply)

Model: _____ Date: _____
 Accessories: _____
 Job Name: _____ Type: _____



Wall Mount



End Mount



Specifications are subject to change without notice. Installation must be performed in accordance with Barron Lighting Group installation instructions.

ORDERING INFORMATION Example: HAE-1-WB-B-14-R-W-TH-BF-G2

Series	Exit Faces	Power Source	Housing/Door	Gauge Size	Legend Color
HAE	1 = Single-face	LB = AC Only	B = Brushed Stainless Steel	12 ¹ = 12 Gauge	G = Green Letters
	2 = Double-face	WB = NiCad Battery	C = Painted Cold Rolled Steel	14 = 14 Gauge	R = Red Letters
			S = Painted Stainless Steel	16 = 16 Gauge	
				18 = 18 Gauge	

Mouting	Fasteners	Finish	Options	Accessories ⁵ (Field Installed)
S = Side Mount	TH = Torx Head w/Center Pin	BL ³ = Black Finish	G2 ⁴ = Self-Test/Self-Diagnostics	TS = Torx Screwdriver
T = Top Mount		BF = Brushed Finish	WL = Wet Location (IP65)	
W ² = Wall Mount		WH ³ = White Finish		

Notes

- ¹ Only available Cold Rolled Steel material
- ² Wall mount is available in single-face only
- ³ N/A with brushed housing material
- ⁴ Only available with battery (WB)
- ⁵ Field installed, order as separate line item

ELECTRICAL RATINGS

Model	NiCad Battery	Brownout	Low Voltage Disconnect	Overload Disconnect	Short Circuit Disconnect	Solid State Transfer	Input			
							VAC	Hz	mA	W
HAE-LB	N/A	N/A	N/A	N/A	N/A	N/A	120/277	60	100	1
HAE-WB	1.2V 900mAh	Yes	No	No	N/A	Yes	120/277	60	100	1
HAE-WB-XX-G2	3.6V 400mAh	Yes	Yes	No	N/A	Yes	120/277	60	50	2.7

CONSTRUCTION

The HAE Series features a one-piece, die-formed prime 12-18 gauge material, ensuring durability and versatility for traditional wall mounting. It is available in two surface finishes: a painted TGIC polyester applied powder coat through a five-stage pre-treatment process or a brushed stainless steel finish. This treatment, along with 0.125" polycarbonate lens, provides excellent resistance to fingerprints, surface impurities, and wear.

Field-selectable chevron knockouts are concealed and easily removable for added flexibility. Stencil letters are 6 inches high with a 3/4-inch stroke for clear visibility.

ILLUMINATION

Illumination of the HAE series is achieved with high output, long lasting, red or green LEDs. Includes color-matched diffuser that eliminates hot spots and striations, providing optimal light output.

ELECTRICAL

Input

Dual-voltage input 120 or 277VAC @ 60Hz.

Sealed Nickel Cadmium Battery – NiCad (WB Only)

Exitronix sealed nickel cadmium batteries are maintenance-free.

Emergency

The HAE series exit will operate for a minimum of 90 minutes during a loss of power with a 24 hour maximum recharge time for the battery.

Test Button

The test button is located on the side of fixture, use an allenhead wrench or a similar tool for pushing test button.

INSTALLATION

The hardware is tamper-resistant and constructed with rugged steel Available with a silicone gasket to achieve IP65 rating.

CONFORMANCE TO CODES & STANDARDS

The HAE Series meets or exceeds UL 924 and NFPA 101 Standards, meets or exceeds CSA and NRCAN requirements.

OPTIONS

Wet Location (Rated IP65)

Wet Location Rated fixture that allows water or other liquids to drip, splash or flow on or against. The construction prevents the accumulation of water on live parts.

GUARDIAN Self-test/Self-disgnostics (G2)

The Guardian bi-color circuit is factory preset; without any field adjustments needed. It continuously monitors the performance condition of the AC power, battery supply, and charging circuitry.

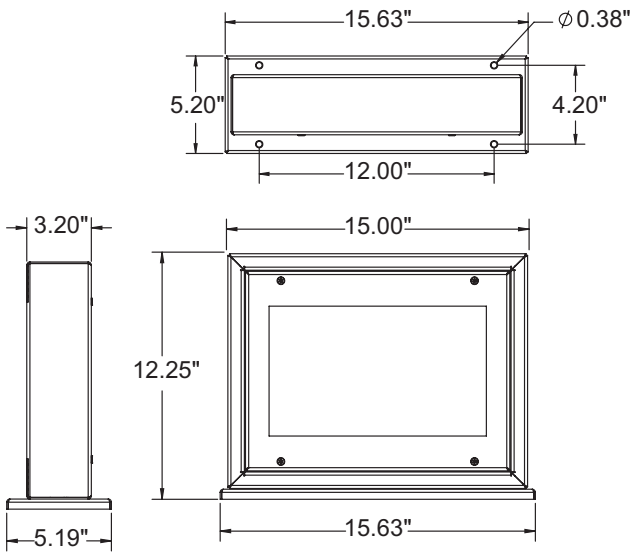
The intent of this option is to provide visual signaling to identify fault at the Exit. Fault indicators are as follow:

●	Steady	Battery Disconnected
●	Flash	Battery Recharge Failure
● ●	Double Blink	Battery Failure
● ● ●	Three Blink	LED Failure

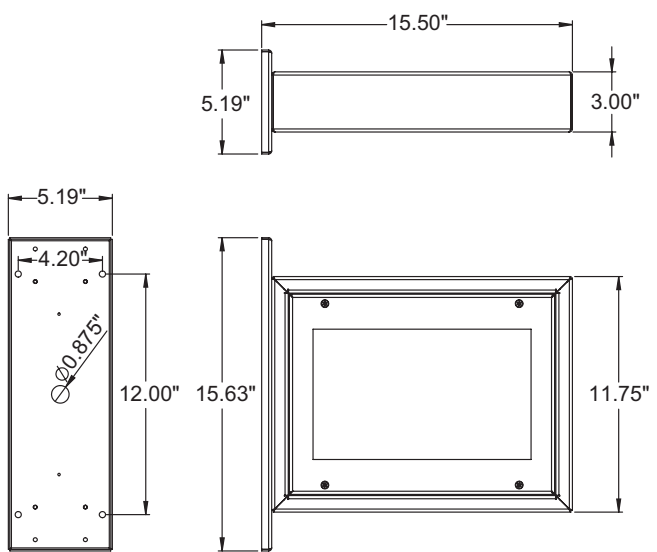
Self-testing/Self-diagnostics also has a manual test function, press test button as follows:

Press Test Button Once	30 Seconds Discharge Test
Press Test Button Twice	30 Minutes Discharge Test
Press Test Button Three Times	90 Minutes Discharge Test

TOP MOUNT DIMENSIONS



SIDE MOUNT DIMENSIONS



WALL MOUNT DIMENSIONS

