

IMPORTANT SAFEGUARDS

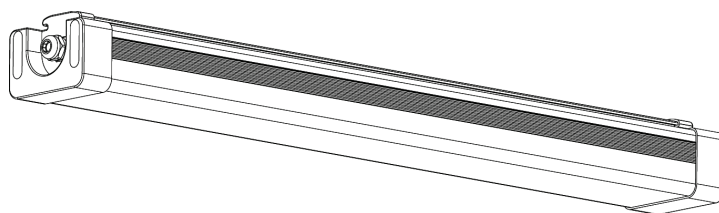
READ AND FOLLOW ALL SAFETY INSTRUCTIONS.

When using electrical equipment, basic safety precautions should always be followed including the following:

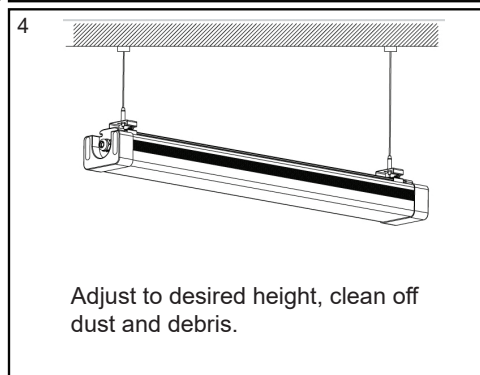
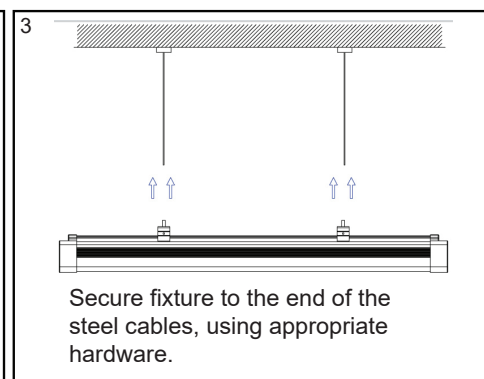
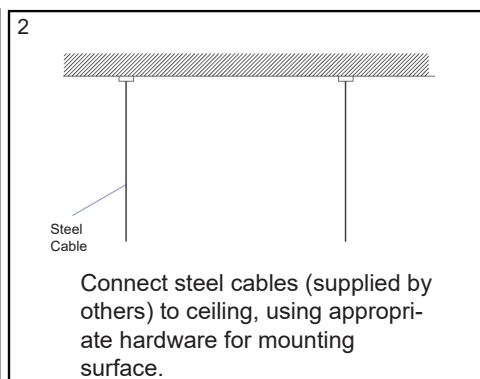
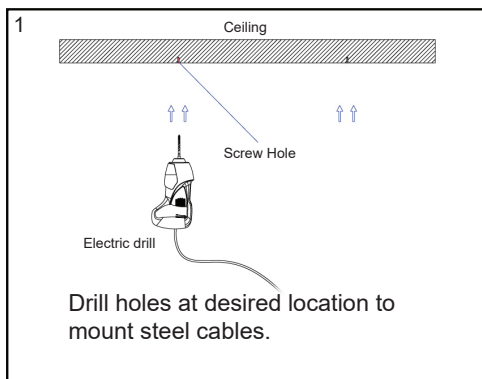
- **DISCONNECT AC POWER SUPPLY BEFORE SERVICING.**
- Installation and servicing of this equipment should be performed by qualified service personnel only.
- Ensure the electricity connections conform to the National Electrical Code and local regulations if applicable.
- Do not mount near gas or electrical heaters.
- Equipment should be mounted in locations and at heights where it will not be readily subjected to tampering by unauthorized personnel.
- The use of accessory equipment not recommended by the manufacturer may cause an unsafe condition.
- Any modification or use of non-original components will void the warranty and product liability.
- Do not use this equipment for other than intended use.

SAVE THESE INSTRUCTIONS!

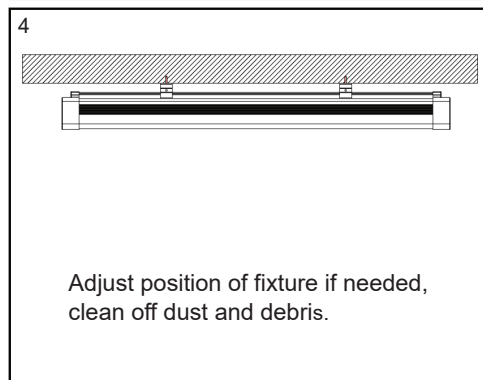
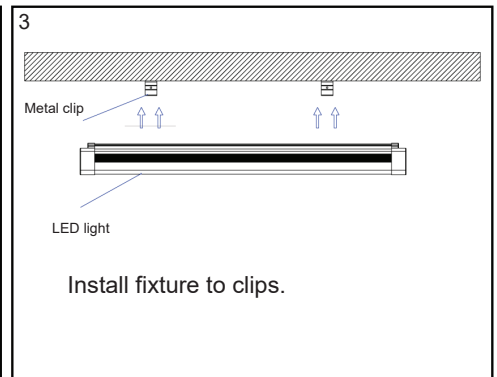
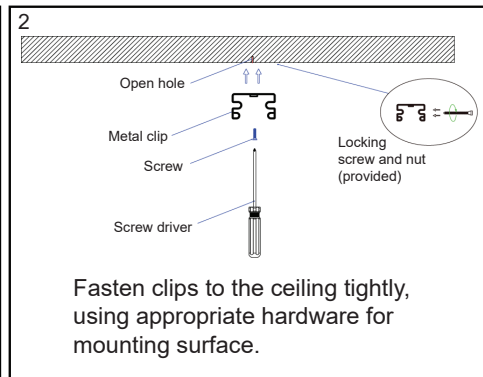
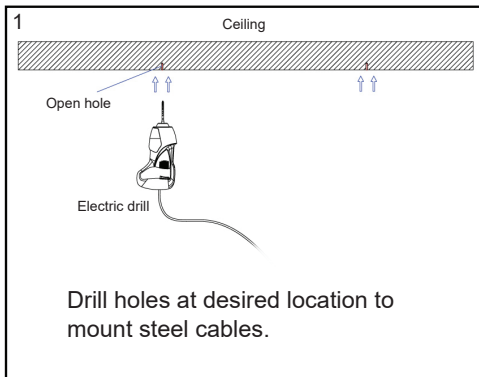
INSTALLATION INSTRUCTIONS



CABLE MOUNTED



CEILING MOUNTED



ELECTRICAL

- Connect power cord to 120VAC outlet.
- For 240VAC or 277VAC inputs consult a qualified electrician.

OPERATION

The GRM requires no special handling, power ON or power cycle requirements. We recommend routine inspections to visually verify the fixture is ON and emitting light. Refer to the troubleshooting guide for any unit not functioning correctly.

TROUBLESHOOTING

If the GRM does not turn ON:

1. Check incoming voltage to the LED driver. Must be at least a minimum of 120VAC and not to exceed 277VAC.
2. If some, but not all LEDs are working consult factory for additional technical support.
Please have the catalog number and photos available when contacting technical support.