

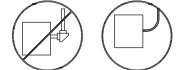
## IMPORTANT SAFEGUARDS READ AND FOLLOW ALL SAFETY INSTRUCTIONS.

When using electrical equipment, basic safety precautions should always be followed including the following:

- **DISCONNECT AC POWER SUPPLY BEFORE SERVICING.**
- Installation and servicing of this equipment should be performed by qualified service personnel only.
- Ensure that the electrical wiring conforms to the National Electrical Code NEC® and local regulations if applicable.
- Do not mount near gas or electrical heaters.
- Equipment should be mounted in locations and at heights where it will not be readily subjected to tampering by unauthorized personnel.
- The use of accessory equipment not recommended by the manufacturer may cause an unsafe condition.
- Any modification or use of non-original components will void the warranty and product liability.
- Do not use this equipment for other than intended use.

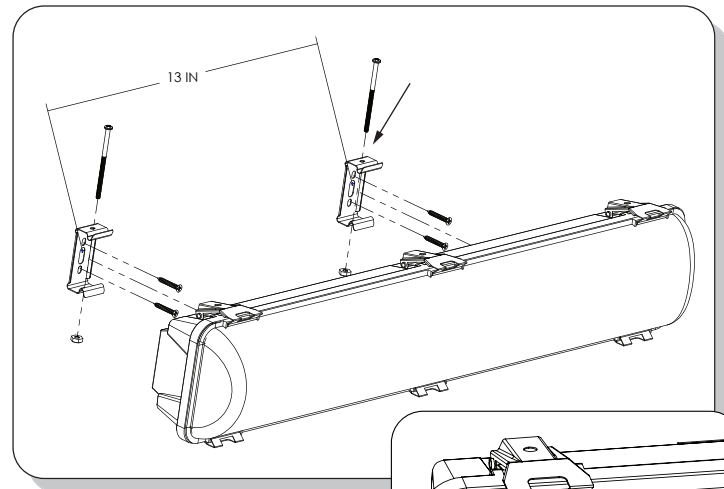
## SAVE THESE INSTRUCTIONS!

Use Flexible Conduit Only



### Installation

1. Install the snap-on brackets to the desired location with the hardware provided. Drill mounting holes a distance of 13" from center of fixture.
2. Install the included 2.5" clamp bolts through the brackets and loosely tighten the nuts. Align the fixture with the installed brackets and snap into place. Torque the clamping bolts to 0.2Nm to secure the fixture.



### Electrical Connections

Make electrical connection as follows:

- Green - Ground
- White - Common
- Black (Emergency Driver) - 120-277VAC
- Black (LED Driver) - 120-277VAC

Note: Unit can be wall switched by wiring the black LED Driver wire to the wall switch.

For conduit use 1/2" raintight EMT compression connector.

After providing constant AC power to the fixture, connect the battery to the emergency driver.

### Operation

1. When the test switch lights green the battery is connected and the AC power is being supplied.
2. When test switch is not illuminated, check the AC power supply. If AC power is on and test button is not illuminated, check battery connection.
3. To test the emergency mode remove lens and press the test button until the unit switches to emergency mode. Release the test switch to resume normal operation.

