

### DESCRIPTION

The FXL Series universal switchable floodlights deliver powerful, energy-efficient illumination with enhanced flexibility. Featuring field-switchable color and power, the FXL adapts seamlessly to a wide range of applications with lumen packages from 10,500 to 76,040 lumens (See [FXL 20-80W](#) spec for lumen packages from 650 to 12,350 lumens). Precision-designed optics are field-switchable between 55°, 75°, and 90° to allow tailored light distribution for everything from narrow pathways to wide building facades. With both slipfitter and trunnion mounts included, the FXL simplifies installation across landscaping, walkways, long docks, signage, and a variety of outdoor spaces requiring robust flood lighting. Engineered for longevity, the FXL boasts a rated life of 100,000 hours and efficacies up to 163 lumens per watt. The FXL series is your go-to solution for maximizing performance, energy savings, and eligibility for utility rebates—all in one rugged, high-performing fixture.

### SPECIFICATIONS

#### Construction:

- Die-cast aluminum housing in a bronze powder coated finish
- Clear tempered glass lens
- Integral heat sink maximizes heat dissipation for longer LED life
- Trunnion and slipfitter mounts are included, yoke mount available
- Power level and CCT dip switches located on back of housing
- 6' Three conductor whip for building power supply
- 6' Two conductor whip for 0-10V dimming wires

#### Optics/LEDs:

- Field-switchable distribution between 55°, 75°, and 90°, switch located on back of housing
- 150W-500W models offer lumen packages from 10,500 - 76,040 lm (See [FXL 20-80W](#) spec for lumen packages from 650 - 12,350 lm)
- Efficacies up to 163 Lm/W
- Easily field-switchable between 3000K, 4000K and 5000K CCT
- L70 >100,000 hours
- L90 >50,000 hours
- CRI >80

#### Electrical:

- 120-277VAC, 50/60Hz
- 0-10V Dimming driver
- Power Factor ≥ 0.90
- Integral on/off photocontrol standard on 150W unit, located on back of housing
- NEMA 3-Pin receptacle standard on 250-500W units, shorting cap included

#### Installation:

- Fixture comes standard with trunnion and slipfitter mounts, yoke mount (FXL-YK-150, FXL-YK-250/320, FXL-YK-500) accessories available for field installation
- Coin plugs on back of housing provide ease of access to dipswitches for power and CCT selectability
- Switch on bottom of housing for distribution selection

#### Accessories:

- Yoke mount (FXL-YK-150, FXL-YK-250/320, FXL-YK-500)
- 3-Pin Twist Lock universal photocontrol (120-277VAC) for dusk to dawn lighting control (TLPR)
- Double 180° Bullhorn Mount (BH-2-180-BR)
- Wall mount bracket (WM-T-S-BR)
- Wall mount bracket, 90° (WM-T-90-BR)

#### Testing & Compliance:

- cULus Listed for Wet Locations
- IP65 Rated
- DesignLights Consortium® (DLC) PREMIUM Qualified

Model: \_\_\_\_\_ Date: \_\_\_\_\_  
Accessories: \_\_\_\_\_  
Job Name: \_\_\_\_\_ Type: \_\_\_\_\_



Specs at a Glance				
Model	FXL-150	FXL-250	FXL-320	FXL-500
<b>Wattage (W)*</b>	80W-100W-125W-150W (Switchable)	160W-190W-220W-250W (Switchable)	200W-240W-280W-320W (Switchable)	380W-420W-460W-500W (Switchable)
<b>Lumens (lm)</b>	10,500-22,460	22,000-38,730	27,000-47,100	55,100-76,040
<b>Efficacy (LPW)</b>	Up to 163			
<b>Distribution</b>	55°, 75°, 90°			
<b>Mounting</b>	Trunnion and Slipfitter Included			
<b>CCT (K)</b>	3000K-4000K-5000K (Switchable)			
<b>CRI</b>	≥80			
<b>Input Voltage</b>	120-277VAC 50/60Hz			
<b>Operating Temp</b>	-40°C to 50°C (-40°F to 122°F)			
<b>Certifications</b>	cULus Listed for Wet Locations, DLC PREMIUM, IP65			
<b>Warranty</b>	5 Years			

\* Nominal Wattage. Tested at 3000K CCT, 123Lm/W.

Note: Environment and application will affect actual performance. Typical values and 25°C (77°F) used for testing. Specifications subject to change without notice.

#### Warranty:

- Five Year Warranty (Terms and Conditions Apply)





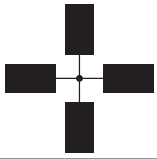
Series	Wattage	Input Voltage	CCT & Power Control	Finish
FXL	150 = 80W-100W-125W-150W 250 = 160W-190W-220W-250W 320 = 200W-240W-280W-320W 500 = 380W-420W-460W-500W	VS = 120-277VAC	CP = Color & Power Switchable	BR = Bronze
			<b>Accessories<sup>1</sup></b> (Field installed, order as separate line item)	
			FXL-YK-150 = Yoke Mount for 150W	
			FXL-YK-250/320 = Yoke Mount for 250W/320W	
			FXL-YK-500 = Yoke Mount for 500W	
			WM-T-90-BR = Wall Mount Bracket, 90°	
			BH-2-180-BR = Double 180° bullhorn mount	
			WM-T-S-BR = Wall Mount Bracket	
<b>Notes</b>			<b>LiteLogic Accessories<sup>1</sup></b> (Field Installed - Order As Separate Line Item)	
<sup>1</sup> Order as separate line item - Shipped in separate box for final installation in the field			TLPR <sup>2</sup> = 120-277VAC 3-Pin Twist Lock Photocontrol	
<sup>2</sup> For use with 250W, 320W, and 500W units only				

**PERFORMANCE DATA**

Model	Wattage	CCT	Distribution	Lumens	LPW	CRI	
FXL-150-CP-BR (80W, 4000K, 55°)	80W	4000K	55°, NEMA 6 H x 6 V	11200	140	80	Architectural Flood and Spot Luminaires (PREMIUM)
FXL-150-CP-BR (80W, 4000K, 75°)	80W	4000K	75°, NEMA 6 H x 6 V	12400	155	80	
FXL-150-CP-BR (80W, 4000K, 90°)	80W	4000K	90°, NEMA 6 H x 6 V	13000	163	80	
FXL-150-CP-BR (100W, 4000K, 55°)	100W	4000K	55°, NEMA 6 H x 6 V	14000	140	80	
FXL-150-CP-BR (100W, 4000K, 75°)	100W	4000K	75°, NEMA 6 H x 6 V	15500	155	80	
FXL-150-CP-BR (100W, 4000K, 90°)	100W	4000K	90°, NEMA 6 H x 6 V	16000	160	80	
FXL-150-CP-BR (125W, 4000K, 55°)	125W	4000K	55°, NEMA 6 H x 6 V	17000	136	80	
FXL-150-CP-BR (125W, 4000K, 75°)	125W	4000K	75°, NEMA 6 H x 6 V	19000	152	80	
FXL-150-CP-BR (125W, 4000K, 90°)	125W	4000K	90°, NEMA 6 H x 6 V	19100	153	80	
FXL-150-CP-BR (150W, 4000K, 55°)	150W	4000K	55°, NEMA 6 H x 6 V	20500	137	80	
FXL-150-CP-BR (150W, 4000K, 75°)	150W	4000K	75°, NEMA 6 H x 6 V	23000	153	80	
FXL-150-CP-BR (150W, 4000K, 90°)	150W	4000K	90°, NEMA 6 H x 6 V	23500	157	80	
FXL-250-CP-BR (160W, 4000K, 55°)	160W	4000K	55°, NEMA 6 H x 6 V	23200	145	80	Outdoor Pole/Arm-Mounted Area and Roadway Luminaires (PREMIUM)
FXL-250-CP-BR (160W, 4000K, 75°)	160W	4000K	75°, NEMA 6 H x 6 V	24300	152	80	
FXL-250-CP-BR (160W, 4000K, 90°)	160W	4000K	90°, NEMA 7 H x 6 V	24800	155	80	
FXL-250-CP-BR (190W, 4000K, 55°)	190W	4000K	55°, NEMA 6 H x 6 V	27550	145	80	
FXL-250-CP-BR (190W, 4000K, 75°)	190W	4000K	75°, NEMA 6 H x 6 V	29000	153	80	
FXL-250-CP-BR (190W, 4000K, 90°)	190W	4000K	90°, NEMA 7 H x 6 V	29450	155	80	
FXL-250-CP-BR (220W, 4000K, 55°)	220W	4000K	55°, NEMA 6 H x 6 V	31900	145	80	
FXL-250-CP-BR (220W, 4000K, 75°)	220W	4000K	75°, NEMA 6 H x 6 V	33500	152	80	
FXL-250-CP-BR (220W, 4000K, 90°)	220W	4000K	90°, NEMA 7 H x 6 V	34000	155	80	
FXL-250-CP-BR (250W, 4000K, 55°)	250W	4000K	55°, NEMA 6 H x 6 V	36250	145	80	
FXL-250-CP-BR (250W, 4000K, 75°)	250W	4000K	75°, NEMA 6 H x 6 V	38500	154	80	
FXL-250-CP-BR (250W, 4000K, 90°)	250W	4000K	90°, NEMA 7 H x 6 V	38750	155	80	
FXL-320-CP-BR (200W, 4000K, 55°)	200W	4000K	55°, NEMA 6 H x 6 V	28000	140	80	Architectural Flood and Spot Luminaires (PREMIUM)
FXL-320-CP-BR (200W, 4000K, 75°)	200W	4000K	75°, NEMA 6 H x 6 V	29100	146	80	
FXL-320-CP-BR (200W, 4000K, 90°)	200W	4000K	90°, NEMA 7 H x 6 V	29200	146	80	
FXL-320-CP-BR (240W, 4000K, 55°)	240W	4000K	55°, NEMA 6 H x 6 V	33600	140	80	
FXL-320-CP-BR (240W, 4000K, 75°)	240W	4000K	75°, NEMA 6 H x 6 V	34900	145	80	
FXL-320-CP-BR (240W, 4000K, 90°)	240W	4000K	90°, NEMA 7 H x 6 V	35000	146	80	
FXL-320-CP-BR (280W, 4000K, 55°)	280W	4000K	55°, NEMA 6 H x 6 V	39200	140	80	
FXL-320-CP-BR (280W, 4000K, 75°)	280W	4000K	75°, NEMA 6 H x 6 V	40700	145	80	
FXL-320-CP-BR (280W, 4000K, 90°)	280W	4000K	90°, NEMA 7 H x 6 V	40800	146	80	
FXL-320-CP-BR (320W, 4000K, 55°)	320W	4000K	55°, NEMA 6 H x 6 V	44800	140	80	
FXL-320-CP-BR (320W, 4000K, 75°)	320W	4000K	75°, NEMA 6 H x 6 V	46400	145	80	
FXL-320-CP-BR (320W, 4000K, 90°)	320W	4000K	90°, NEMA 7 H x 6 V	46500	145	80	
FXL-500-CP-BR (380W, 4000K, 55°)	380W	4000K	55°, NEMA 6 H x 6 V	57000	150	80	Architectural Flood and Spot Luminaires (PREMIUM)
FXL-500-CP-BR (380W, 4000K, 75°)	380W	4000K	75°, NEMA 6 H x 6 V	60000	158	80	
FXL-500-CP-BR (380W, 4000K, 90°)	380W	4000K	90°, NEMA 6 H x 6 V	60800	160	80	
FXL-500-CP-BR (420W, 4000K, 55°)	420W	4000K	55°, NEMA 6 H x 6 V	63000	150	80	
FXL-500-CP-BR (420W, 4000K, 75°)	420W	4000K	75°, NEMA 6 H x 6 V	66000	157	80	
FXL-500-CP-BR (420W, 4000K, 90°)	420W	4000K	90°, NEMA 6 H x 6 V	66360	158	80	
FXL-500-CP-BR (460W, 4000K, 55°)	460W	4000K	55°, NEMA 6 H x 6 V	69000	150	80	
FXL-500-CP-BR (460W, 4000K, 75°)	460W	4000K	75°, NEMA 6 H x 6 V	71000	154	80	
FXL-500-CP-BR (460W, 4000K, 90°)	460W	4000K	90°, NEMA 6 H x 6 V	71300	155	80	
FXL-500-CP-BR (500W, 4000K, 55°)	500W	4000K	55°, NEMA 6 H x 6 V	75000	150	80	
FXL-500-CP-BR (500W, 4000K, 75°)	500W	4000K	75°, NEMA 6 H x 6 V	77000	154	80	
FXL-500-CP-BR (500W, 4000K, 90°)	500W	4000K	90°, NEMA 6 H x 6 V	77500	155	80	

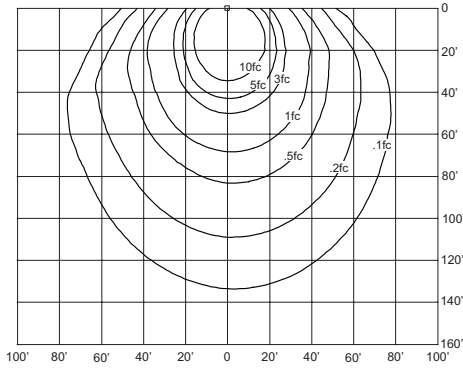
Specifications are subject to change without notice. Installation must be performed in accordance with Barron Lighting Group installation instructions.

**FIXTURE EPA VALUES**

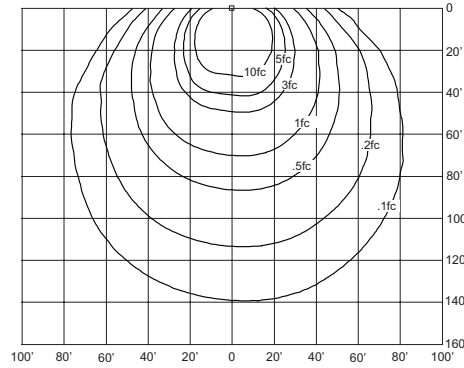
					
<b>Model</b>	<b>1</b>	<b>2 @ 90°</b>	<b>2 @ 180°</b>	<b>3 @ 90°</b>	<b>4 @ 90°</b>
<b>150W</b>	0.83	0.74	0.72	0.85	0.85
<b>250W/320W</b>	1.60	1.51	0.49	1.63	1.63
<b>500W</b>	2.30	2.21	0.18	2.33	2.33

**SAMPLE PHOTOMETRY**

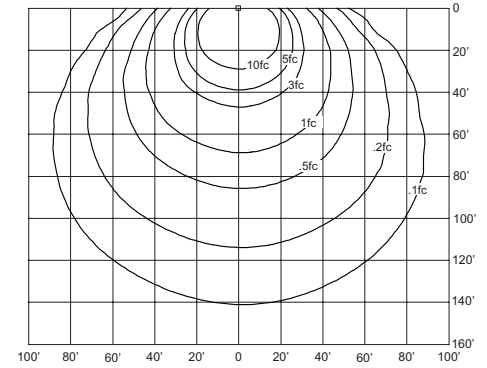
**FXL-320-VS-CP-BR (320W, 4000K, 55°)**  
 IES: NEMA 6 H x 6 V  
 MOUNTING HEIGHT: 20'  
 TILT: 45°



**FXL-320-VS-CP-BR (320W, 4000K, 75°)**  
 IES: NEMA 6 H x 6 V  
 MOUNTING HEIGHT: 20'  
 TILT: 45°

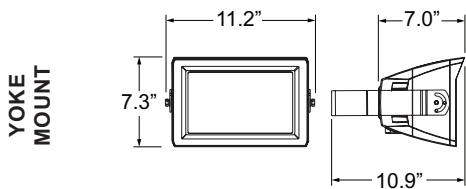
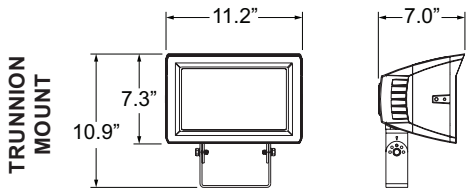
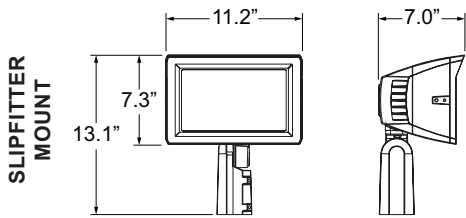


**FXL-320-VS-CP-BR (320W, 4000K, 90°)**  
 IES: NEMA 7 H x 6 V  
 MOUNTING HEIGHT: 20'  
 TILT: 45°

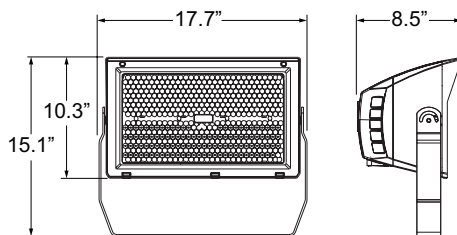
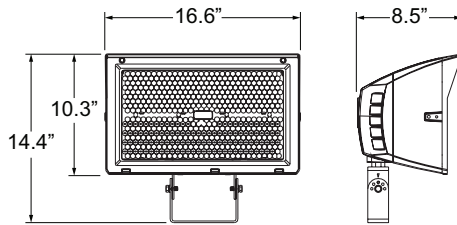
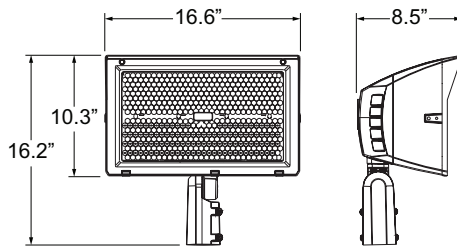


**DIMENSIONS**

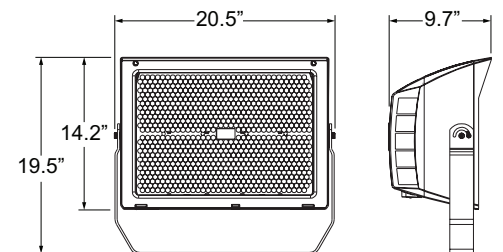
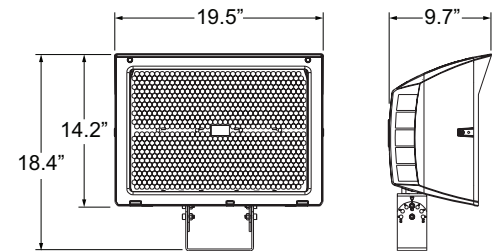
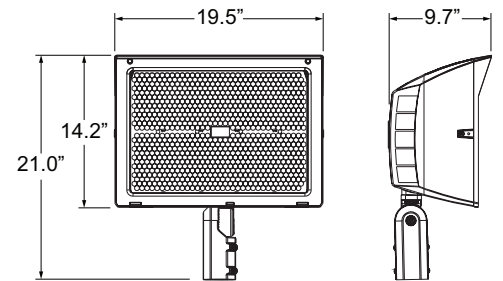
**FXL-150**



**FXL-250/320**



**FXL-500**



**DETAILS - SWITCH LOCATION**



**150W Unit**

CCT and Power  
DIP Switches  
Photocell and  
On/Off Switch



**250W, 320W &  
500W UNITS**

CCT and Power  
DIP Switches  
Shorting Cap



**All Units**

Distribution  
Selection

**DETAILS - MOUNTING OPTIONS**



Trunnion Mount  
(Included in box)

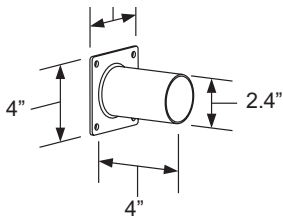


Slipfitter Mount  
(Included in box)

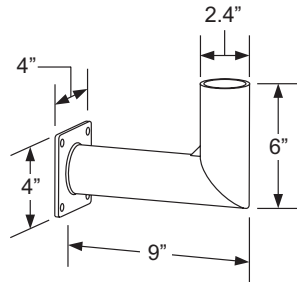


Yoke Mount  
(FXL-YK-150, FXL-YK-250/320, FXL-YK-500)

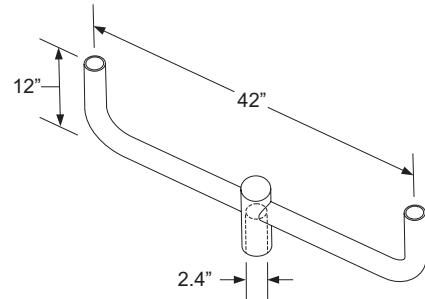
**ADDITIONAL ACCESSORIES AND MOUNTS**



Wall Mounting Bracket  
WM-T-S-BR



90° Wall Mounting Bracket  
WM-T-90-BR



Double 180° Bullhorn Mounting Bracket  
BH-2-180-BR  
EPA Value = 1.4 square feet