

DESCRIPTION

The FWC Series is a versatile floodlight/wallpack featuring a durable die-cast aluminum housing with a textured bronze powder-coated finish. Designed for flexibility, it is available in two housing sizes and delivers up to 8,212 lumens. Utilizing high-efficiency COB (Chip-on-Board) LEDs, the fixture provides uniform illumination with reduced glare and is offered in multiple Type II and Type III distributions for optimal area and perimeter lighting. Ideal for commercial and industrial applications, the FWC Series delivers reliable performance, long life, and adaptable mounting options for a wide range of exterior lighting needs.

SPECIFICATIONS

Construction:

- Die-cast aluminum housing with nickel-plated stainless steel hardware and powder coated bronze finish
- Tempered clear flat glass
- Integral heat sink for maximized heat dissipation

Optics/LEDs:

- COB (Chip-on-Board) LEDs for high efficiency, uniform illumination, and reduced glare
- Available in 2 housing sizes:
 - FWC-S-21: Type II (110°H x 100°V, NEMA 7H x 6V), 21W, 2,300 lumens
 - FWC-S-43: Type II (100°H x 90°V, NEMA 7H x 6V), 43W, 4,025 lumens
 - FWC-L-56: Type III (100°H x 80°V, NEMA 7H x 7V), 56W, 6,580 lumens
 - FWC-L-80: Type III (105°H x 90°V, NEMA 7H x 7V), 80W, 8,212 lumens
- 4100K CCT
- 80 CRI
- Efficacy up to 116 lumens per watt
- L70 ≥76,000 hours

Electrical:

- 120-277VAC, 50/60Hz
- 0-10V Dimming driver
- Power Factor ≥ 0.90

Installation:

- Housing hangs on mounting bracket and secured with set screws
- Wall mount bracket with built in bubble level
- Mounts over recessed junction box or use 1/2" surface mount conduit
- Alternate mounting options available (see Field Installed Accessories)

Options:

- Battery Backup (Option: BB) Operating Temperatures: 0°C to 50°C (32°F to 122°F)
- Cold Location Battery Backup (Option: CL) Operating Temperatures: -20°C to 50°C (-4°F to 122°F)
- Fuse; Single Fuse (Option: F) or Double Fuse (Option: FD)
- 120/277VAC Pencil Photocontrol (Option: PC)
- Surge Protector; 120-277VAC Surge Protector 10kVA (Option: SP)

Field Installed Accessories:

- Knuckle mount, bronze finish (FWC-KN)
- Slipfitter mount, bronze finish (FWC-SF)
- Yoke mount, bronze finish (FWC-YK)
- Die-cast post top fitter for 2 3/8" to 3 1/2" poles, bronze finish, three (3) 1/2" coin plugs (FWC-PTF)
- Die-cast pole tenon mount adaptor for 2 3/8" tenons, bronze finish (FWC-PTM)
- Heavy duty ground stake, built-in wiring compartment with 1/2" NPS threaded fitting, black plastic. (FWC-STK)

Warranty:

- Five Year Warranty (Terms and Conditions Apply)

Model: _____ Date: _____
 Accessories: _____
 Job Name: _____ Type: _____



Shown with Slipfitter (FWC-SF) installed on FWC-L



Shown with Battery Backup Option (BB)



Specs at a Glance				
Model	FWC-S		FWC-L	
Wattage (W)*	21W	43W	56W	80W
Lumens (lm)	2,300	4,025	6,508	8,212
Efficacy (LPW)	109	93	116	102
Distribution	Type II (110°H x 100°V, NEMA 7H x 6V)	Type II (100°H x 90°V, NEMA 7H x 6V)	Type III (105°H x 90°V, NEMA 7H x 7V)	Type III (100°H x 80°V, NEMA 7H x 7V)
CCT (K)	4100K			
CRI	80			
Input Voltage	120-277VAC			
Operating Temp	-40°C to 50°C (-40°F to 122°F)			
Certifications	ETL Listed for Wet Locations, IP66			
Warranty	5 Years			

* Nominal Wattage, tested at 4000K CCT. See performance table for details.

Note: Environment and application will affect actual performance. Typical values and 25°C (77°F) used for testing. Specifications subject to change without notice.

Testing & Compliance:

- cETLus Listed for Wet Locations
- IP66 Rated
- Operating Temperatures: -40°C to 50°C (-40°F to 122°F)
 - 0°C to 50°C (32°F to 122°F) with Battery Backup (Option: BB)
 - -20°C to 50°C (-4°F to 122°F) with Cold Location Battery Backup (Option: CL)
- Buy American Act compliant

ORDERING INFORMATION (Example: FWC-S-21-3-VS-41K-BR-BB)

Model	Wattage	Distribution	Input Voltage	CCT	Finish	Options
FWC-S = Small	21 ¹ = 21 Watt	2 ¹ = Type II	VS = 120-277VAC	41K = 4100K	BR = Bronze	BB ¹³ = Battery Backup
FWC-L = Large	43 ¹ = 43 Watt 56 ² = 56 Watt 80 ² = 80 Watt	3 ² = Type III				CL ¹³ = Cold Location Battery Backup F = Fuse FD = Double Fuse PC = 120-277VAC Pencil Photocontrol SP = 120-277VAC Surge Protector 10kVA

Accessories ⁴ (Field installed, order as separate line item)
FWC-KN = Knuckle Mount, Bronze Finish
FWC-SF ² = Slipfitter Mount, Bronze Finish
FWC-YK ² = Yoke Mount, Bronze Finish
FWC-PTF = Die-cast Post Top Fitter for 2 ³ / ₈ " to 3 ¹ / ₂ " Poles, Three (3) 1/2" Coin Plugs, Bronze Finish
FWC-PTM = Die-cast Pole Tenon Mount Adaptor for 2 ³ / ₈ " tenons, Bronze Finish
FWC-STK = Heavy Duty Ground Stake, Built-in Wiring Compartment with 1/2" NPS Threaded Fitting, Black Plastic

Notes:

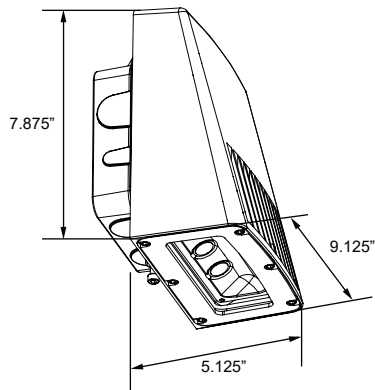
¹ Only available with FWC-S	³ Wall Mount Only (not compatible with knuckle, slipfitter or yoke mount)
² Only available with FWC-L	⁴ Order as a separate line item. Shipped in a separate box for final installation in the field

PERFORMANCE DATA

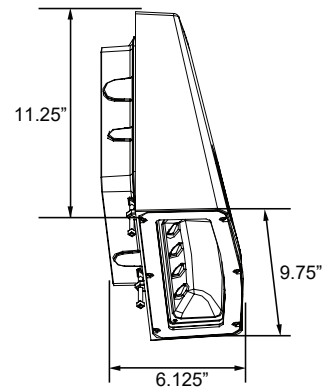
Model	Wattage	CCT	Lumens	LPW	CRI
FWC-S-21	21W	4100K	2,300	109	80
FWC-S-21	43W	4100K	4,025	93	80
FWC-L-56	56W	4100K	6,508	116	80
FWC-L-80	80W	4100K	8,212	102	80

DIMENSIONS

FWC-S



FWC-L



ACCESSORIES (Field installed, order as separate line item)



**Knuckle Mount
FWC-KN**
Shown on FWC-S
(Sold Separately)



**Slipfitter Mount
FWC-SF**
Shown on FWC-L
(Sold Separately)



**Yoke Mount
FWC-YK**
Shown on FWC-L
(Sold Separately)



**Post Top Fitter
FWC-PTF**
Die-cast Post Top
Fitter for 2³/₈" to 3¹/₂"
Poles, Three (3) 1/2"
Coin Plugs
(Sold Separately)



**Pole Tenon Mount
FWC-PTM**
Die-cast Pole Tenon
Mount Adaptor for 2³/₈"
tenons
(Sold Separately)



**Ground Stake
FWC-STK**
Heavy Duty Ground
Stake, Built-in Wiring
Compartment with 1/2"
NPS Threaded Fitting
(Sold Separately)