

### DESCRIPTION

The ultra-slim, energy-efficient EHB Series highbay utilizes high efficacy, high-output LEDs to provide over 70% energy savings compared to HID technology. This product is offered in multiple lumen packages optimizing project flexibility for retail, industrial, commercial, manufacturing, warehousing, gymnasium and other large interior spaces with mounting heights up to 50'. The EHB delivers up to 40,000 lumens with a diffused lens and is supplied standard with adjustable aircraft cable mounts but can be stem/pendant mount or suspended with the use of the stem mount kit. The EHB highbay is suitable for ambient temperatures up to 55°C. Options include 347/480VAC, battery backup and occupancy controls.

### SPECIFICATIONS

#### Construction:

- Die-formed steel housing in a white finish
- Standard diffused polycarbonate lens
- Compact configurations, as small as 10.3" wide and 23.9" long
- Low profile, only 1.8" height for models up to 29,000 lumens
- Isolated central driver compartment optimizes thermal dissipation (single screw access from below the fixture)
- 1/2" Knockout on both ends as well as in the central panel to allow for easy installation of sensors or other accessories

#### Optics/LEDs:

- 90 to 300W models replace up to 10-lamp T5HO or 1000W HID for up to 70% energy savings
- Multiple lumen packages from 12,000 to 50,000 lumens to accommodate a variety of job applications
- Efficacies up to 142 LPW maximize energy savings and utility rebates
- General diffused distribution, 120°
- Available in 4000K and 5000K CCT
- L70 = 115,000 hours
- Rated for over 50,000 hours at 55°C
- CRI ≥80 (205W model ≥70)

#### Electrical:

- Class 2 power supply, 120 to 277VAC, 50/60Hz
- 1-10V Dimming driver (120-277 VAC only)
- 347/480VAC Option (90W, 130W, 300W and 370W dedicated driver)
- Built-in driver surge protection L/N-PE: 6kV, L-N: 4kV

#### Testing & Compliance:

- cULus Listed for Damp Locations
- Operating temperatures: -40°C to 55°C (-40°F to 131°F)

#### Installation:

- 5' Adjustable cable mount kit included for suspension mount
- Central compartment easily accessible from the front to allow for easy wiring or accessory installation
- 1/2" Knockouts located at both ends of the unit as well as the central front panel
- Can be surface or stem/pendant with the use of the stem mount kit (STMEHB) for 130W-205W models (STMLHB for 300W)

#### Options:

- Integral battery backup option offers 1000 lumens of emergency powered illumination for 90 minutes
- Dimming occupancy sensor (120-277VAC)
- 6' and 15' Line cords (LC\*, 3-conductor)
- 15' Metal clad line cord (MC15, 3-conductor)

#### Warranty:

- Five Year Warranty (Terms and Conditions Apply)

Model: \_\_\_\_\_ Date: \_\_\_\_\_  
Accessories: \_\_\_\_\_  
Job Name: \_\_\_\_\_ Type: \_\_\_\_\_

**Available While Supplies Last**



Specs at a Glance					* Nominal Wattage	
<b>Model</b>	EHB-90	EHB-130	EHB-4-130	EHB-180	EHB-205	EHB-300
<b>Wattage (W)*</b>	90	130	130	180	205	300
<b>Lumens (lm)</b>	12,600	18,500	18,500	24,500	29,300	40,000
<b>Efficacy (LPW)</b>	140	142	142	136	138	133
<b>Distribution</b>	General Diffused 120°					
<b>CCT (K)</b>	4000K, 5000K					
<b>CRI</b>	≥80 (205W ≥70)					
<b>Input Voltage</b>	120-277VAC, 50/60Hz, 347/480VAC Option					
<b>Operating Temp</b>	-40°C to 55°C (-40°F to 131°F)					
<b>Certifications</b>	UL Listed for Damp Locations, DLC PREMIUM					
<b>Warranty</b>	5 Years					
<b>Weight</b>	6.8 lbs	10.9 lbs	11.8 lbs	11.8 lbs	11.8 lbs	22.5 lbs

\* Nominal Wattage, tested at 5000K CCT. Values at 120/277VAC. See performance table for more detailed lumen information.

Note: Environment and application will affect actual performance. Typical values and 25°C (77°F) used for testing. Specifications subject to change without notice.

#### Accessories:

- Dimming occupancy sensor (TL-MSSW)
- On/off occupancy sensor (TL-OCCSNSD-120/277)
- Remote for SC option and TL-MSSW occupancy sensors (TL-MSSW-REMOTE)
- Stem/conduit mount box (STMEHB for 130-205W models, STMLHB for 300W models) allows for surface mount installation
- Multiple line cords for field installation
- Field-installed In-line 10kVA surge protector for 120/277VAC, 320V, 420J (20300032)
- Field-installed In-line 10kVA surge protector for 347/480VAC, 1500V, 570J (20300033)

**Ordering Information** (Example: EHB-180-D-VS-4K)

Series	Wattage
EHB-90-D-VS-4K	Economy Linear LED High Bay, 2', 90W, Diffused Lens, 120-277VAC, Dimming Driver, 4000K CCT, White Finish
EHB-90-D-VS-5K	Economy Linear LED High Bay, 2', 90W, Diffused Lens, 120-277VAC, Dimming Driver, 5000K CCT, White Finish
EHB-130-D-VS-5K	Economy Linear LED High Bay, 2', 130W, Diffused Lens, 120-277VAC, Dimming Driver, 5000K CCT, White Finish
EHB-4-130-VS-5K	Economy Linear LED High Bay, 4', 130W, Diffused Lens, 120-277VAC, Dimming Driver, 5000K CCT, White Finish
EHB-180-D-VS-4K	Economy Linear LED High Bay, 2', 180W, Diffused Lens, 120-277VAC, Dimming Driver, 4000K CCT, White Finish
EHB-205-D-HVS-5K	Economy Linear LED High Bay, 2', 205W, Diffused Lens, 347/480VAC, Dimming Driver, 5000K CCT, White Finish
EHB-205-D-VS-5K-BB	Economy Linear LED High Bay, 2', 205W, Diffused Lens, 120-277VAC, Dimming Driver, 5000K CCT, White Finish, Battery Backup
EHB-300-D-VS-4K	Economy Linear LED High Bay, 4', 300W, Diffused Lens, 120-277VAC, Dimming Driver, 4000K CCT, White Finish

**Sample Photometry**

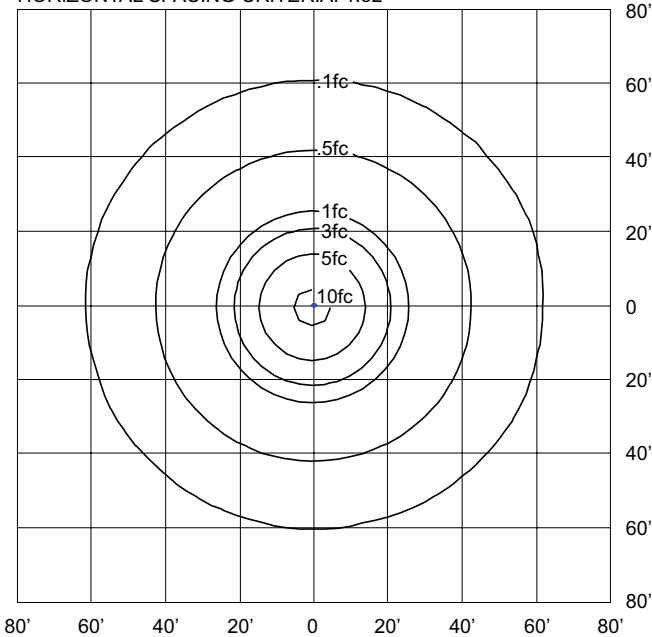
**EHB-180-D-VS-5K**

IES: TYPE VS Very Short

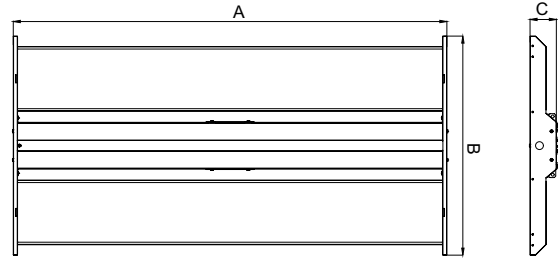
MOUNTING HEIGHT: 20'

TILT: ZERO

HORIZONTAL SPACING CRITERIA: 1.32

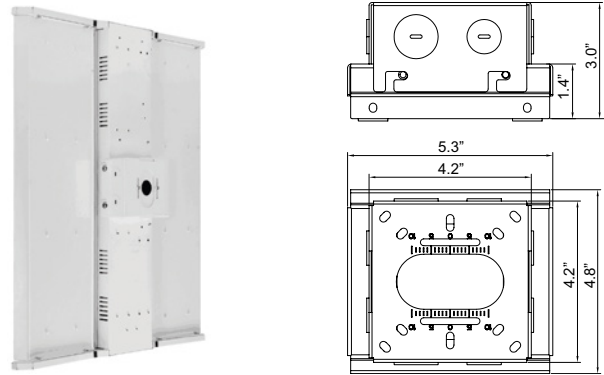


**Dimensions**



Model	A	B	C	Net Weight (lbs)
EHB-90	23.9"	10.3"	1.8"	6.8
EHB-130	23.9"	19.7"	1.8"	10.9
EHB-4-130	47.6"	14.4"	2.9"	11.8
EHB-180	23.9"	19.7"	1.8"	11.8
EHB-205	23.9"	19.7"	1.8"	11.8
EHB-300	47.6"	24.0"	2.9"	22.5

**Pendant/Surface Mount Box Details** (STEMEHB/STEMLHB Accessories)



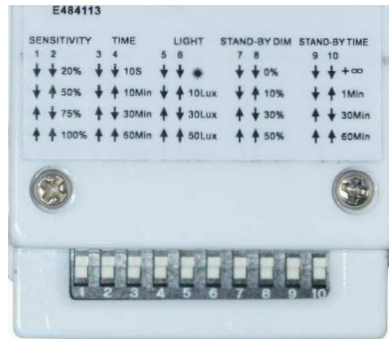
**Performance**

Item	Wattage (W)	CCT	Distribution	Lumens (lm)	Efficacy (LPW)	CRI	Equivalency
EHB-90-D-VS-4K	90W	4000K	General Diffused 120°	12,000	133	80	4-Lamp T5HO/T8 Up to 250W HID
EHB-90-D-VS-5K	90W	5000K		12,600	140	80	
EHB-130-D-VS-5K	130W	5000K		18,500	142	80	6-Lamp T5HO/T8 8-Lamp T8 Up to 400W HID
EHB-4-130-VS-5K	130W	5000K		18,500	142	80	
EHB-180-D-VS-4K	180W	4000K		24,000	133	80	
EHB-205-D-VS-5K	205W	5000K		29,000	141	70	8-Lamp T5HO
EHB-300-D-VS-4K	300W	4000K		39,500	132	80	10-Lamp T5HO 75-1000W HID

**Sensor Details (Option SC and Accessories TL-MSSW and TL-MSSW-REMOTE)**



SC Option (Factory Installed)  
TL-MSSW Accessory (Sold Separately)



Sensor Dip Switch Settings  
(Dip Switches on Sensor)



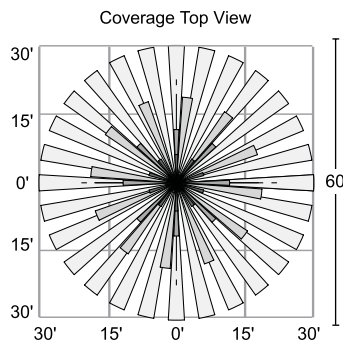
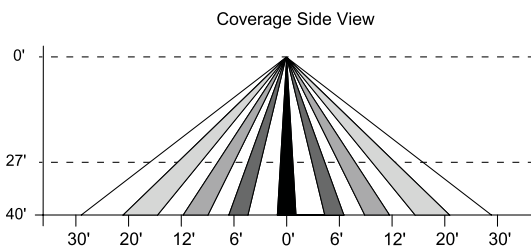
TL-MSSW-REMOTE Accessory  
(Sold Separately)

**Sensor Settings (Remote)**

DETECTION RADIUS/ANGLE	MAX 60'/360°
MOUNTING HEIGHT	MAX 40'
REMOTE RANGE	MAX 33'
FREQUENCY	5.8 GHz
HIGH MODE	70%, 80%, 90%, 100% (DEFAULT 100%)
SENSITIVITY	20%, 50%, 75%, 100% (DEFAULT 100%)
HOLD TIME	10sec, 1min, 5min, 10min, 15min, 20min, 30min, 60min (DEFAULT 5min)
DAYLIGHT HARVESTING	☀️, (disabled), 10Lux, 30Lux, 50Lux, 100Lux, 150Lux, 200Lux, 300Lux (DEFAULT disabled)
STANDBY DIM SETTING	0, 10%, 20%, 30%, OFF (∞), (DEFAULT 30%)
STANDBY TIME SETTING (TO OFF)	ON (disabled), 1min, 30min, 60min (DEFAULT 30min)



**Sensor Coverage**



**360° Coverage**

Specifications are subject to change without notice.  
Installation must be performed in accordance with  
Barron Lighting Group installation instructions.