

SPECIFICATIONS

- Input Voltage: 100-240VAC
- Output Signal: DMX512
- Control Mode: RGBW, 4 Zones Control
- Installation: Requires DMX4-JBOX (Sold Separately)
- Working Temp: -30°C to 55°C (-22°F to 131°F)
Indoor Installation Only
- Package Size (LxWxH): 86mm x 86mm x 36mm (3.4"x3.4"x1.4")
- Weight (G.W.): 225g (0.5 lbs)

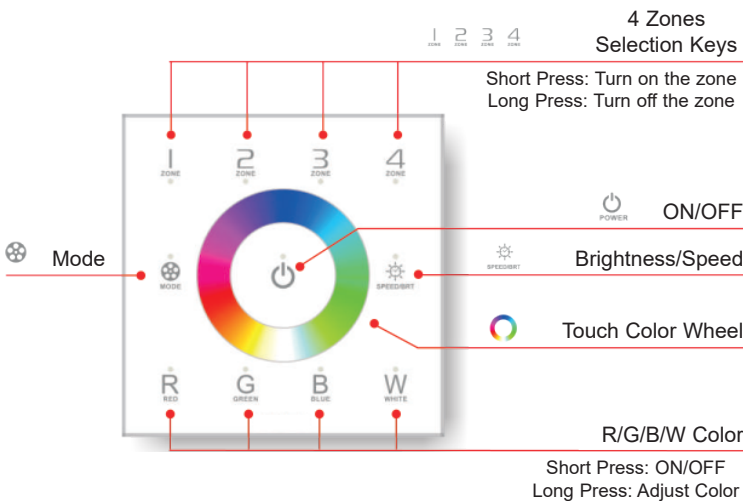
Warranty:

- Five Year Warranty
- Warranty is limited to the repair and/or replacement of this product.

Model: _____ Date: _____
Accessories: _____
Job Name: _____ Type: _____



KEY FUNCTIONS



Note: Long Press to turn on/off the tone

Changing Modes

- | | | | |
|-----------------|------------------|--------------------|-----------------------|
| 1. Static Red | 4. Static Yellow | 7. Stactic White | 10. RGB Color Smooth |
| 2. Static Green | 5. Static Purple | 8. RGB Jumping | 11. Full-Color Smooth |
| 3. Static Blue | 6. Static Cyan | 9. 7 Color Jumping | |

Match/Clear Code between Touch Panel & Receiver:

- Match code:** Short press "ID learning button" on the RFX-DMX-CV-Decoder receiver, the running light keeps on. Then press the matching zone key on the touch panel, the running light will flicker several times meaning the match was successful.
- Clear Code:** Long press "ID learning button" on the RFX-DMX-CV-Decoder receiver for 5 seconds, the running light will flicker several times meaning the match was successfully deactivated.

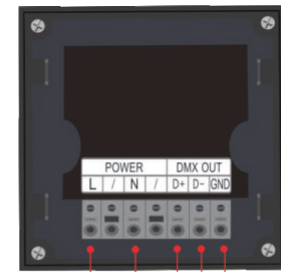
ORDERING INFORMATION

Example: DMX4-RGB-WHEEL

| Model | Accessories (Order as separate line item) |
|--|--|
| DMX4-RGB-WHEEL = DMX512, Multi Zone, Touch Panel Controller, 5AX4CH, 24VDC (Requires DMX4-JBOX for Mounting) | DMX4-JBOX = Type 86 Junction Box for the DMX4-RGB-Wheel Controller |



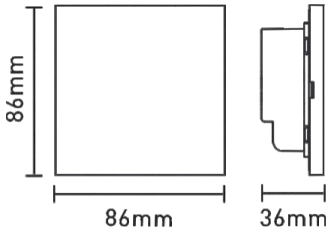
TERMINALS



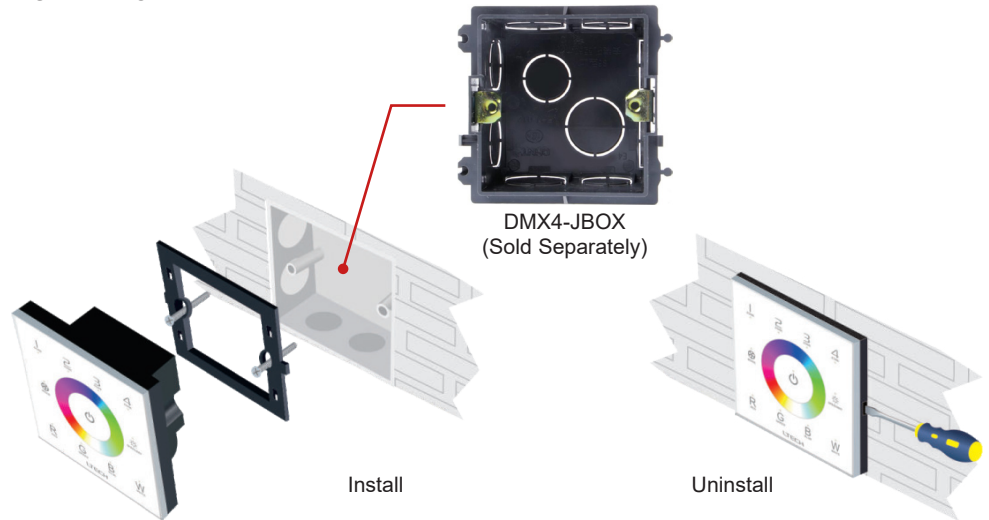
120-240VAC
Power Input

DMX Signal
Output

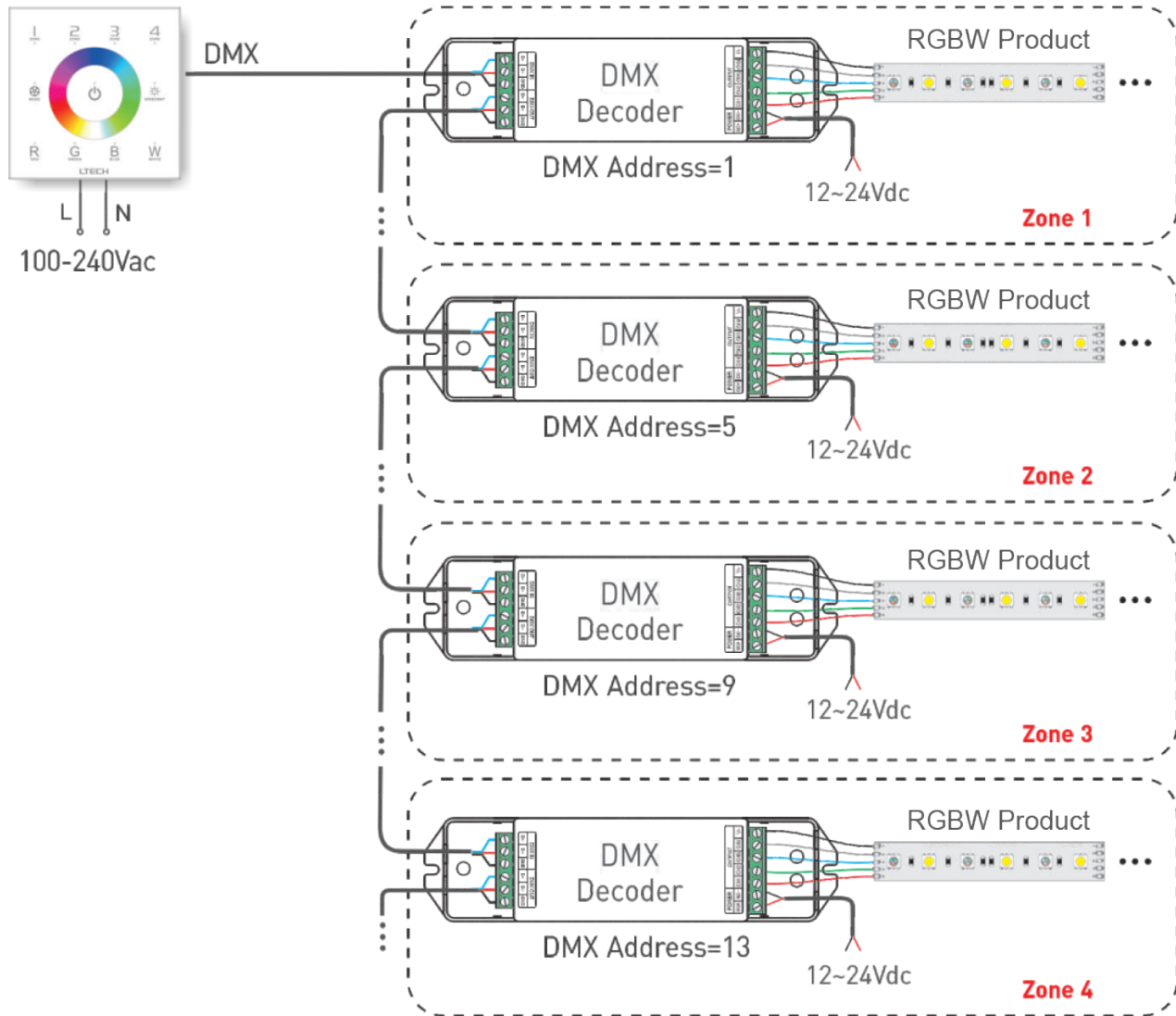
DIMENSIONS



INSTALLATION



DMX WIRING DIAGRAM



Specifications are subject to change without notice.
Installation must be performed in accordance with
Barron Lighting Group installation instructions.