

The DMX-CV-DECODER-120V uses the RDM protocol and supports DMX512/RDM signal bi-directional communication. The RDM protocol enables the remote management such as reading & writing DMX addresses. The DMX-CV-DECODER-120V is a waterproof decoder with IP67 rating, which enables the decoder to be used in outdoor and damp environments. It can be used to control DIM, CT, and RGB constant voltage lights and achieve 0-100% dimming or various lighting effects. The decoder has a three channel output with a max of 1.2A output per channel. DMX address can be set freely and shown on the numeric digital display.

FEATURES & BENEFITS:

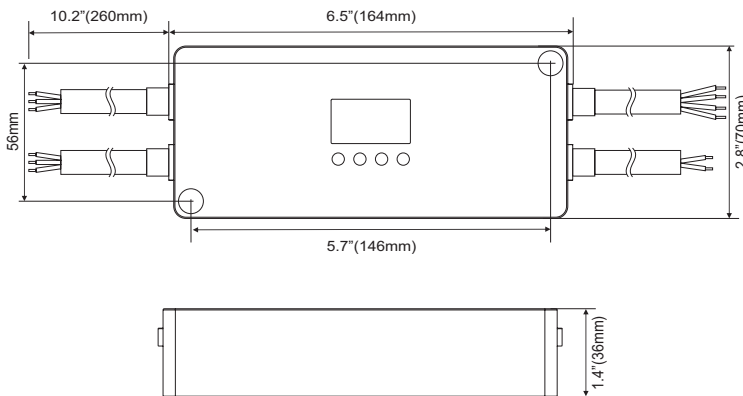
- Waterproof DMX512 decoder with IP67 rating, suitable for outdoor and damp environments
- DMX512 compliant control interface, DMX address can be set freely and shown on the digital numeric display
- Compatible with our DMX wall mounted controllers (single color, dual color, RGB) to achieve many different light dimming and controlling effects
- Input Voltage: 100-240VAC
- Input Current: Max. 3.7A
- Output Voltage: 3x(100-240)VAC
- Output Current: Max. 1.2A per channel, Max. 3.6A per 3 channels
- Output Power: (83-288)W per channel, Max. 864W
- Working Temperature: -20°C to 50°C (-4°F to 122°F)

PROTECTION:

- Short Circuit
- Over Temperature
- Over Current
- Auto Recovery

WARRANTY (Terms & Conditions Apply):

- Five Year Warranty
- Warranty is limited to the repair and/or replacement of this product. The warranty is covered by the Original Equipment Manufacturer. Details are available upon request.

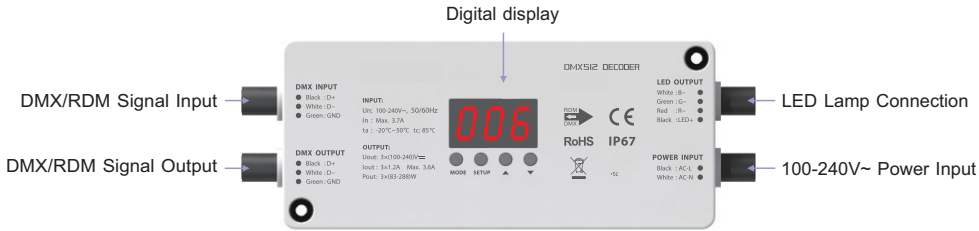


Model: _____ Date: _____
 Accessories: _____
 Job Name: _____ Type: _____

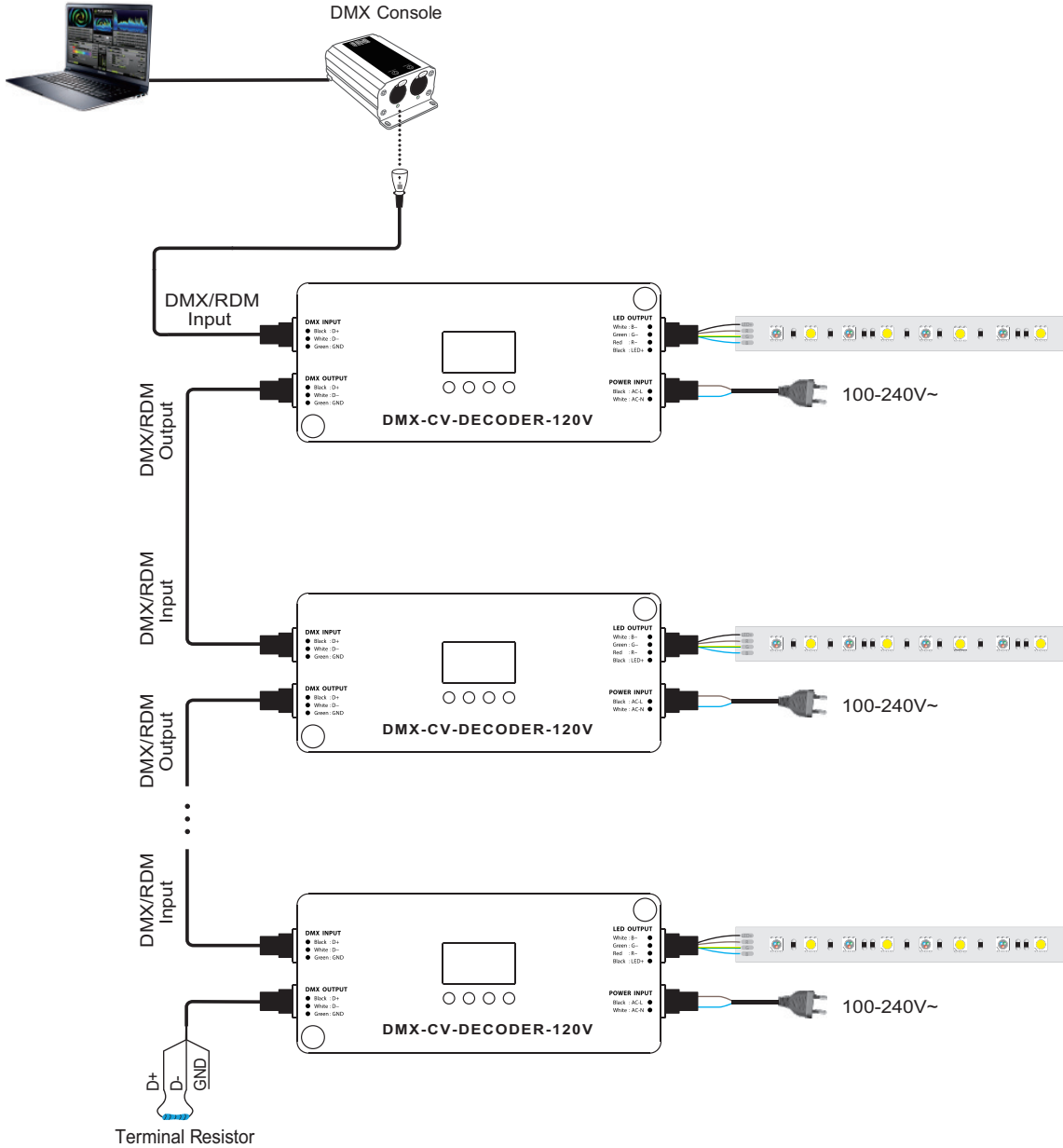


Specs at a Glance	
Configuration	DMX-CV-DECODER-120V
Input Voltage	100-240VAC
Output Voltage	3x(100-240)VDC
Output Current	3CH, 1.2A/CH
Output Power	Max. 864W (3CH)
Output Type	Constant Voltage
Operating Temp	-20°C to 50°C (-4°F to 122°F)
Certifications	CE Listed, IP67 Rated, RoHS Compliant
Dimensions	6.5"(164mm) L x 2.8"(70mm) W x 1.4"(36mm) H
Warranty	5 Years

MAIN COMPONENTS



WIRING DIAGRAM



NOTE:
 When more than 32 DMX decoders are connected, DMX signal amplifiers are needed and signal amplification should not be more than 5 times continuously. If you need to modify the parameter settings of connected DMX/RDM decoders that exceed 32, you can add 1 RDM signal amplifier. Or you can add 1-5 DMX signal amplifiers after completing the parameter settings.

If the recoil effect occurs because of long signal line or poor quality wires, please try to connect a 0.25W 90-120Ω terminal resistor at the end of each line.