

### DESCRIPTION

The DDXS Series is a 120V, surface mount, LED dome downlight that provides project flexibility with field-selectable color temperature (2700K, 3000K, 3500K, 4000K, and 5000K CCT) and built in motion sensor. The DDXS is 6" and offers 1,250 lumens, and the twist-lock diffuser and included hardware allow for easy installation directly to a junction box. The DDXS can also seamlessly retrofit 4" to 6" cans with optional torsion clips and E26 medium screw-base Edison connector. This fixture is Energy Star certified and California Title 24 JA8 compliant. This low-profile, attractive surface mount downlight is ideally suited for residential, retail, light commercial, closets, and other interior spaces that utilize a traditional downlight or surface mount product.

### SPECIFICATIONS

#### Construction:

- Stamped steel construction in a white finish
- Twist-lock polycarbonate diffused lens produces soft uniform illumination and can easily be removed for products easy installation
- Low profile construction – only 1.1"

#### Optics/LEDs:

- 6" 15W unit, up to 1250 lumens
- 110° beam angle
- CCT Selectable between 5 CCTs; 2700K, 3000K, 3500K, 4000K & 5000K CCT
- L70 > 100,000 hours
- CRI ≥90

#### Electrical:

- 120VAC, 60Hz Input
- CCT and sensor switches located under the lens
- TRIAC & ELV Dimming down to 10%
- Power factor > 0.90
- Integral PIR sensor
  - Switchable between 30 sec/1 min/ 5 min hold time
  - Detects motion from 15' when mounted at 10'

#### Installation:

- Easily mounts to 4" junction box with included hardware
- Twist off lens and install directly to intended surface
- CCT and sensor switches easily accessible under the lens
- Optional mounting accessories available for retrofit applications
  - 6" Kit includes torsion clips and medium E26 Edison base (DDX-TRK-6)

#### Testing & Compliance:

- cETLus Listed for Wet Locations
- Energy Star certified
- Certified to the high efficacy requirements of California Title 24 JA8 2016-2022
- Operating temperature: -20°C to 40°C (-4°F to 104°F)

#### Warranty:

- Five Year Warranty (Terms and Conditions Apply)

Model: \_\_\_\_\_ Date: \_\_\_\_\_  
 Accessories: \_\_\_\_\_  
 Job Name: \_\_\_\_\_ Type: \_\_\_\_\_



Specs at a Glance	
Diameter (Nominal)	6"
Wattage (W)*	15
Lumens (lm)	1250
CCT (K)	2700K-3000K-3500K-4000K-5000K Switchable
CRI	≥90
Sensor	PIR Sensor
Input Voltage	120VAC, 50/60Hz
Operating Temp	-20°C to 40°C (-4°F to 104°F)
Certifications	ETL Listed for Wet Locations, Energy Star, California Title 24 JA8
Warranty	5 Years

\* Nominal Wattage, tested at 4000K CCT. See performance table for details.

Note: Environment and application will affect actual performance. Typical values and 25°C (77°F) used for testing. Specifications subject to change without notice.

### ORDERING INFORMATION (Example: DDX-D4-10-C5)

Model	Description
DDXS-D6-15-C5	LED Surface Mount Dome Downlight, 6", 15W, 120VAC, Color Selectable 2700K/3000K/3500K/4000K/5000K CCT, White Finish, PIR Motion Sensor

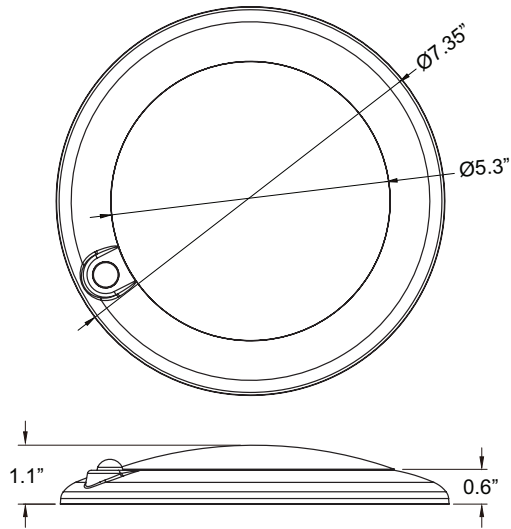
#### Accessories (Field installed, order as separate line item)

DDX-TRK-6 = 6" Retrofit kit, (2) Torsion Mounting Clips, (1) E26 Base

**PERFORMANCE DATA**

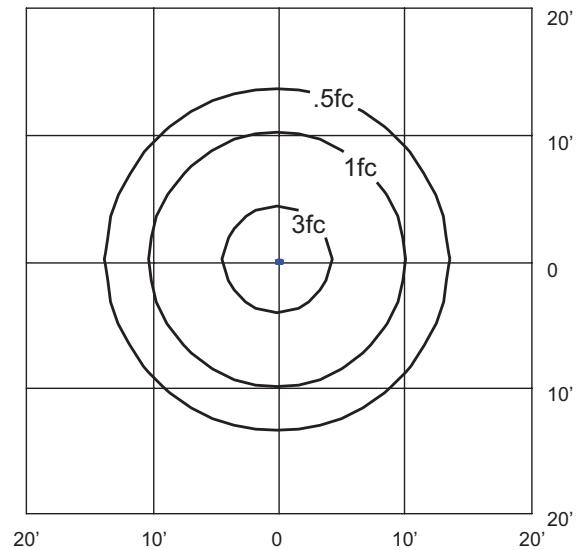
Model	Wattage	CCT	Lumens	LPW	CRI
DDXS-D6-15-C5 (2700K)	15W	2700K	1230	82	90
DDXS-D6-15-C5 (3000K)	15W	3000K	1235	82	90
DDXS-D6-15-C5 (3500K)	15W	3500K	1240	83	90
DDXS-D6-15-C5 (4000K)	15W	4000K	1250	83	90
DDXS-D6-15-C5 (5000K)	15W	5000K	1230	82	90

**DIMENSIONS**

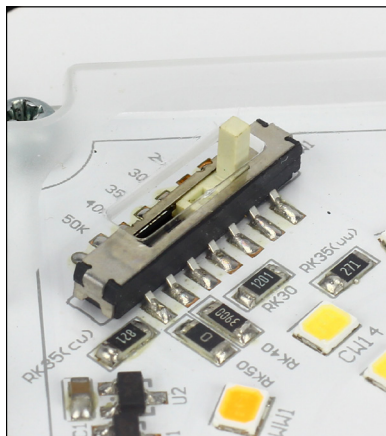


**SAMPLE PHOTOMETRY**

**DDXS-D6-15-C5 (4000K)**  
 IES: TYPE VS Very Short  
 MOUNTING HEIGHT: 10'  
 TILT: ZERO  
 HORIZONTAL SPACING CRITERIA: 1.24



**CCT SWITCH DETAIL**



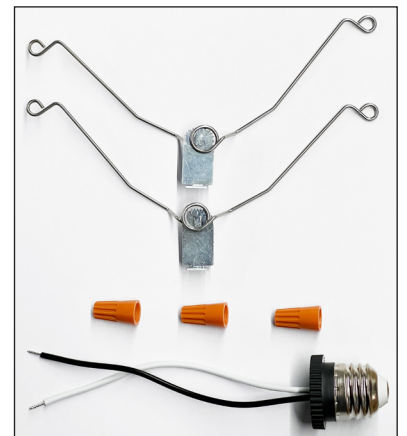
CCT switch shown behind twist-lock diffuser

**MOUNTING DETAIL**



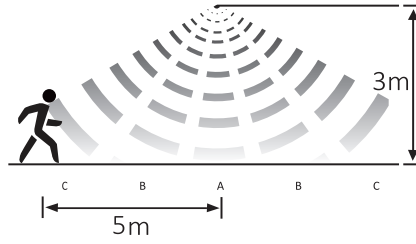
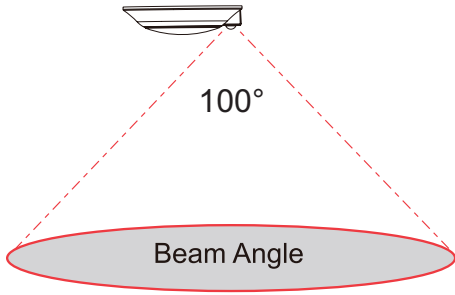
DDXS-D6-15-C5

**MOUNTING ACCESSORIES**



DDX-TRK-6

**SENSOR DETAIL**



Working Voltage: 120V  
PIR Power: DC 3.3V  
Detection Angle: 100°  
Detection Range: Max. (D x H) 5m x 3m