

DDX Gen 1 Series

Installation Instructions

BARRON **TRACE LITE**
commercial & industrial lighting



IMPORTANT SAFEGUARDS READ AND FOLLOW ALL SAFETY INSTRUCTIONS.

When using electrical equipment, basic safety precautions should always be followed including the following:

- **DISCONNECT AC POWER SUPPLY BEFORE SERVICING.**
- Installation and servicing of this equipment should be performed by qualified service personnel only.
- Ensure that the electrical wiring conforms to the National Electrical Code NEC® and local regulations if applicable.
- Do not mount near gas or electrical heaters.
- Equipment should be mounted in locations and at heights where it will not be readily subjected to tampering by unauthorized personnel.
- The use of accessory equipment not recommended by the manufacturer may cause an unsafe condition.
- Any modification or use of non-original components will void the warranty and product liability.
- Do not use this equipment for other than intended use.

SAVE THESE INSTRUCTIONS!

Technical Support ■ (623) 580-8943 ■ technicalsupport@barronltg.com

DDX Series

Installation Instructions

Parts Included in Packaging

Fig. 1



Wire Nut x3pcs



Screws for
Mounting Plate



Screws for
Friction Clips



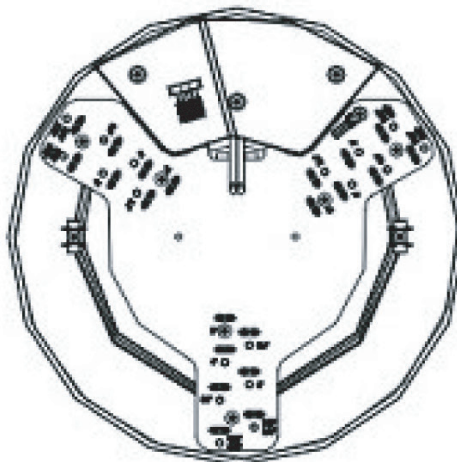
Friction Clips



E26 Adapter



Mounting Plate



LED Fixture



3-1/2 inch
4 inch

Dimming

Our Downlight is designed for dimming with many 120V Leading Edge(LE) and Trailing Edge(TE) phase control dimmers. Dimming capability may be enhanced with select dimmers that feature low and trim adjustment:

Dimmer: Low Line (120V/100V)		
#	Model	Volt. /Freq.
1	LUTRON -S-600PR-WH	120/60
2	LUTRON-CTCL-153PR-WH	120/60
3	LUTRON-DVWCL-153PH-WH	120/60
4	LUTRON-DVCL-153PR-BL	120/60
5	LUTRON-TG600PR-LA	120/60
6	LUTRON-TGCL-153PH-WH	120/60
7	LUTRON-CT600P-WH	120/60
8	LEVITON-6631-1LW	120/60
9	LEVITON-6674-POT	120/60
10	LEVITON-6672-1LW	120/60
11	LEVITON-6683-IW	120/60

Electrical Junction Boxes

Mounted to recessed mounted standard junction boxes

NOTE: The module installs onto many standard recessed ceiling and wall mounted junction boxes (Shown below);

-4" octagon

-4 round

-3-1/2" round new work

-3-1/2" round old work

(Box types and site condition vary. Installer to ensure compatibility at fit, wiring and proper mounting.)

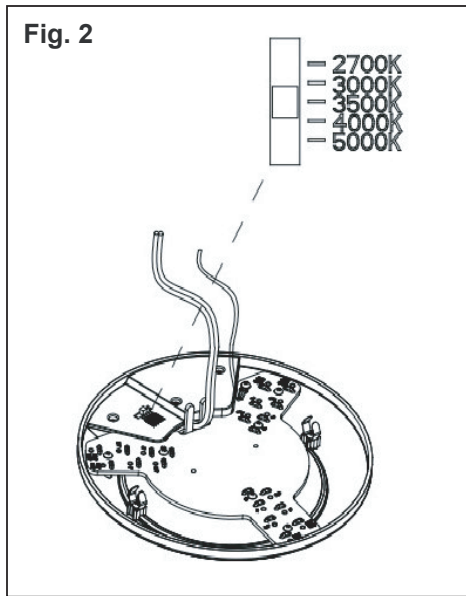
NOTE: For selectable CCT Models.

Recommended boxes shown in (Fig 1).

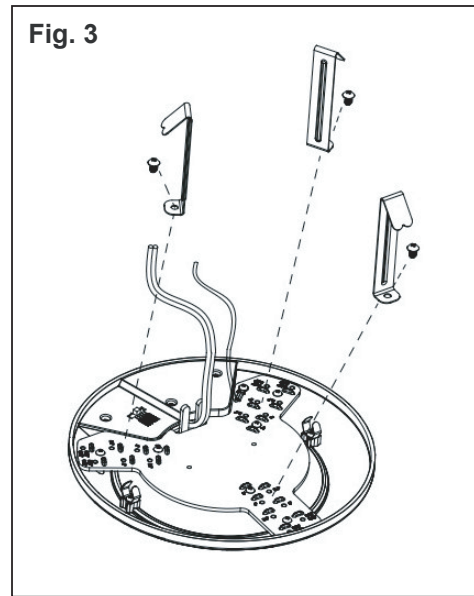
This luminaire consumes 3 cubic inches of electrical box space.



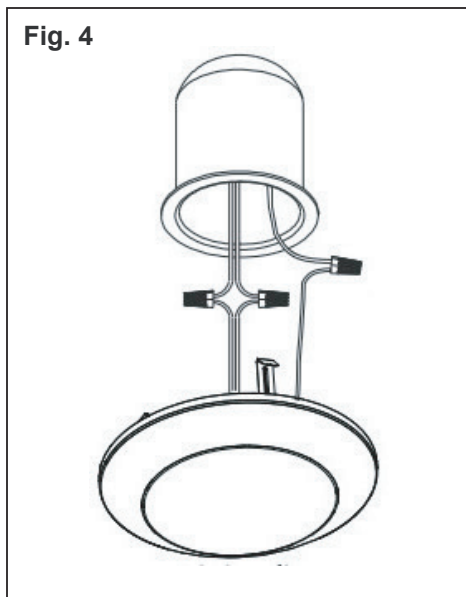
Recessed Housing Installation



1. Before installation, select your preferred CCT by moving the switch to either 2700K, 3000K, 3500K, 4000K or 5000K. (Fig. 2)

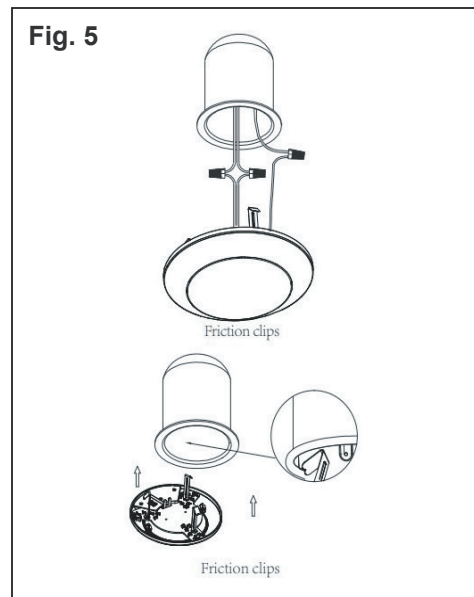


2. Attach the three friction clips to the mounting plate with screws provided. (Fig. 3)
Select correct position based on housing size (3" or 6")



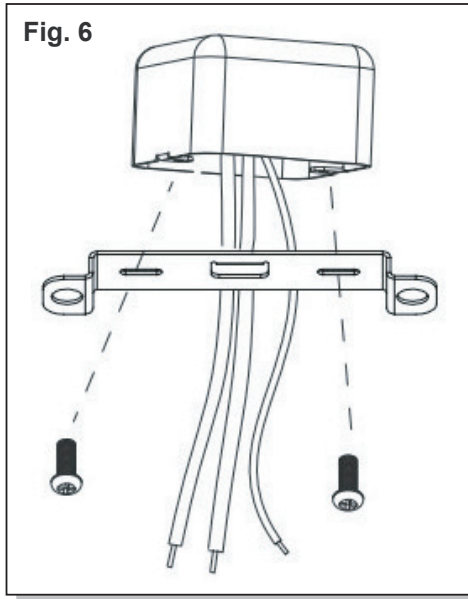
3. Thread the E26 adapter into the socket in the recessed housing. (If needed) Connect the wiring from the E26 adapter to the fixture wiring. (Fig. 4)

4. Make electrical connections; see **Electrical Connections** section.

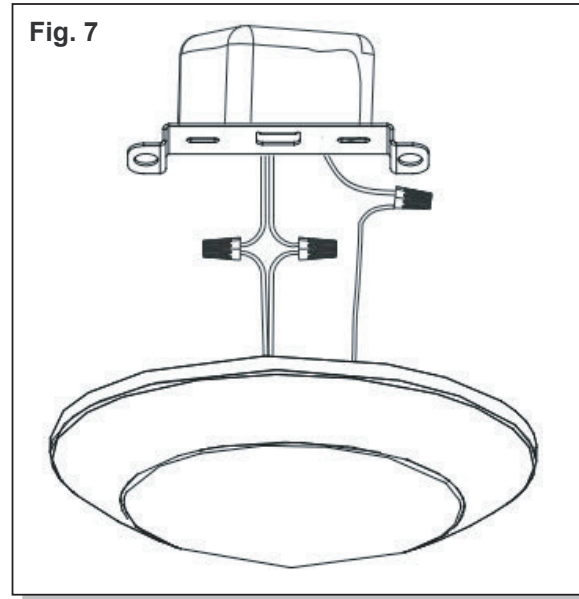


5. Push the LED fixture into the recessed housing until the trim ring is flush with the ceiling. (Fig. 5)
Note: When mounting to a textured, popcorn, or uneven surface, use a silicone sealant to ensure a waterproof seal.

Installation



- Fig. 6**
1. Before installation select your preferred CCT by moving the switch to either 2700K, 3000K, 3500K, 4000K or 5000K. (Fig. 2)
 2. Attach the mounting plate to the J-box with screws provided. (Fig. 6 (3-1/2" or 4" round or octagonal J-box



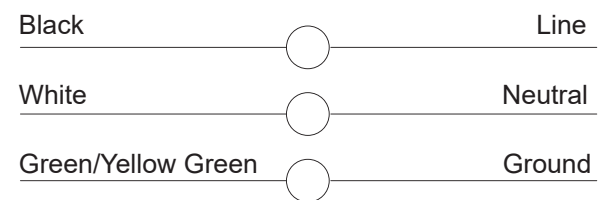
- Fig. 7**
3. Make electrical connections; see **Electrical Connections** section.
 4. Push the LED fixture into the mounting plate making sure the fixture is fully secured before releasing. (Fig. 7)
Note: When mounting to a textured, popcorn, or uneven surface, use a silicone sealant to ensure a waterproof seal.

Electrical Connections

Make electrical connections per **Wiring Diagram**. (Fig. 8)

- a. Connect the line fixture lead to the black supply lead.
- b. Connect the common fixture lead to the white supply lead.
- c. Connect the ground lead from the service to the ground lead coming from the driver plate.

Fig. 8 – Wiring Diagram



Note: 120V product