

DESCRIPTION

The DDX Gen 1 series is a 120V surface mount, LED dome downlight that provides project flexibility with field-selectable color temperature (2700K, 3000K, 3500K, 4000K, and 5000K CCT). The DDX Gen 1 offers 960 lumens and includes a simple snap-on mounting bracket to simplify installation directly to a junction box.

The DDX Gen 1 can also easily retrofit 4" to 6" cans with its included friction clips and its E26 medium screw-base Edison connector. This fixture is not only Energy Star certified but is California Title 24 JA8-2019 compliant. This attractive surface mount downlight is ideally suited for residential, retail, light commercial and other interior spaces that utilize a traditional downlight or surface mount product.

SPECIFICATIONS

Construction:

- Durable white thermoplastic construction
- Snap on mounting clip for easy installation
- Friction clips and E26 medium screw-base Edison connector for installation in 4" to 6" recessed cans

Optics/LEDs:

- Produces 960 lumens of soft uniform illumination
- Replaces up to 100W incandescent lamps
- 120° beam angle
- CCT Selectable; 2700K, 3000K, 3500K, 4000K and 5000K CCT
- L70 > 50,000 hours
- CRI ≥90

Electrical:

- 120VAC, 50/60Hz
- Triac/ELV dimming
- Power Factor > 0.90

Installation:

- Installs directly to a 3" or 4" round or octagonal junction box
- Fixture can also be mounted on 4" to 6" recessed housings using the included friction clip kit and E26 medium screw-base Edison connector

Testing & Compliance:

- cULus listed for Damp Locations
- ENERGY STAR certified
- Certified to the high efficacy requirements of California Title 24 JA8-2019
- FCC Compliant
- Operating temperatures: -20°C to 40°C (-4°F to 104°F)

Warranty:

- Five Year Warranty (Terms and Conditions Apply)

Model: _____ Date: _____
 Accessories: _____
 Job Name: _____ Type: _____



Specs at a Glance	
Diameter	7.3"
Wattage (W)*	12
Lumens (lm)	960
Efficacy (LPW)	80
Equivalency (W)	Up to 100W
CCT (K)	Switchable (2700K, 3000K, 3500K, 4000K, 5000K)
CRI	≥90
Input Voltage	120VAC, 50/60Hz
Operating Temp	-20°C to 40°C (-4°F to 104°F)
Certifications	UL Listed for Damp Locations, ENERGY STAR, California Title 24 JA8-2019, FCC Compliant
Warranty	5 Years

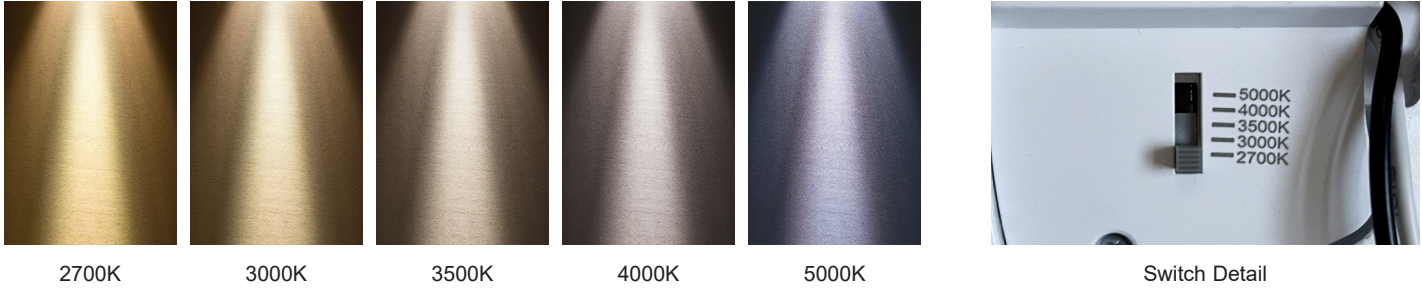
* Nominal Wattage, tested at 5000K CCT.

Note: Environment and application will affect actual performance. Typical values and 25°C (77°F) used for testing. Specifications subject to change without notice.

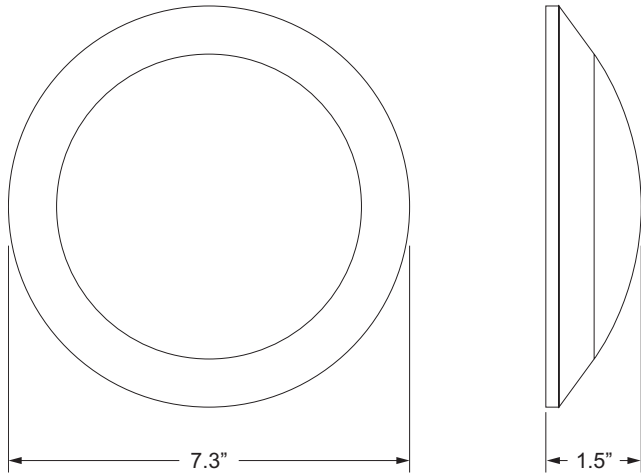
Ordering Information (Example: DDX-D6-12-C5)

Model	Description
DDX-D6-12-C5	Surface Mount Downlight, 7", 12W LED, 120VAC, CCT Switchable (2700K-3000K-3500K-4000K-5000K), White Finish

CCT Selectable Details



Dimensions



Sample Photometry

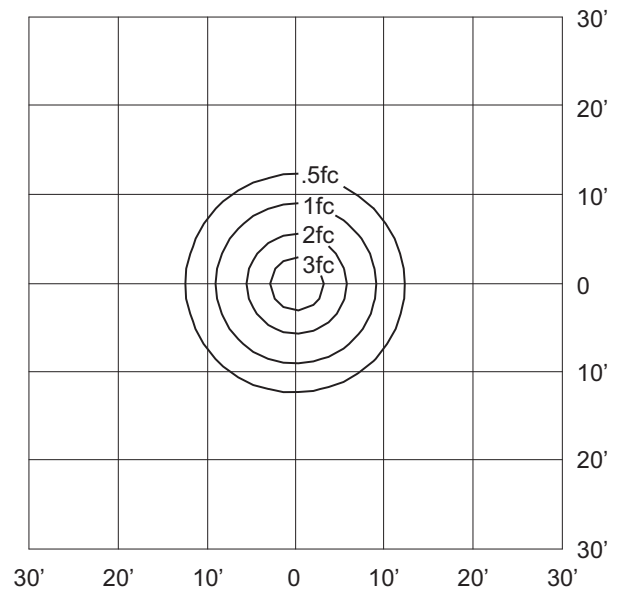
DDX-D6-12-C5 (4000K CCT)

IES: TYPE VS Very Short

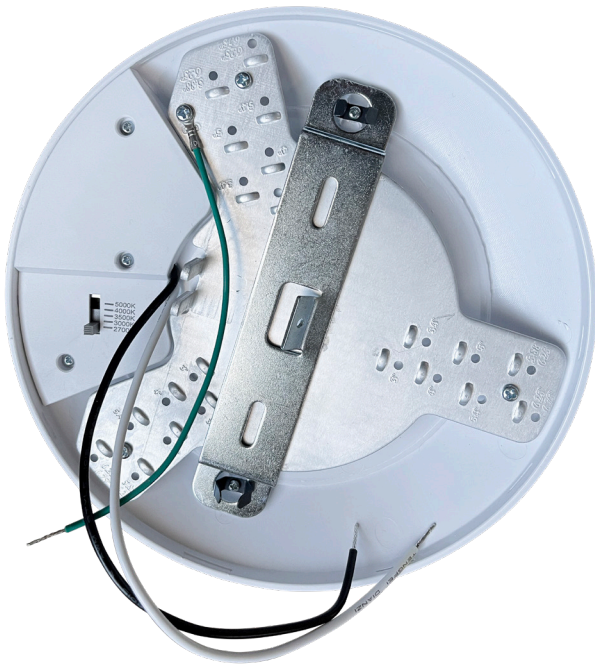
MOUNTING HEIGHT: 10'

TILT: ZERO

HORIZONTAL SPACING CRITERIA: 1.22



Back Detail



Included Accessories (E26 Base, Torsion Clips, Wire Nuts, Hardware)

