

DESCRIPTION

The Trace-Lite CBLQ Series offers incredible performance in an energy-efficient, slim profile steel enclosure. The CBLQ provides ultimate flexibility while minimizing inventory with field-adjustable CCT and wattage. The fixture is available in 2' x 2' and 2' x 4' configurations, features up to 127 LPW and is DesignLights Consortium® PREMIUM Qualified to maximize energy savings and utility rebates. The CBLQ is designed to deliver general ambient lighting in a variety of indoor settings, including schools, offices, hospitals, and stores and is the perfect choice for both new construction and retrofits. This high-efficacy luminaire provides long-life, uniform illumination, standard 0-10V dimming capability and optional integral battery backup to provide emergency powered illumination for path of egress. All CBLQ models are packaged in a quantity of two.

CONSTRUCTION

- Precision die-formed steel housing in a white finish
- Low profile design, only 2.1" thick
- Recessed design fits most standard T-bar grid ceilings
- Wattage and CCT switches located on driver junction box
- Large driver box for easy installation and wiring

OPTICS/LEDS

- PMMA diffused lens providing uniform soft light, 120° distribution
- Efficacies up to 127 LPW maximize energy savings and utility rebates
- Switchable from 3500K, 4000K and 5000K CCT. Switch located on the side of the driver box
- CRI ≥80
- L70 > 100,000 hours
- Reported L90 of 54,000 hours

ELECTRICAL

- 120-277VAC, 50/60Hz
- 0-10V Dimming driver
- Power Factor > 0.90
- Power switchable, switch located on the side of the driver box
 - 2' x 2' configuration between 25W, 30W and 35W
 - 2' x 4' configuration between 34W, 42W and 50W

INSTALLATION

- Unit simply lifts through grid ceiling and rests on T-bars
- Easy installation in new construction or retrofit
- Standard recessed mounting in most 2' x 2' or 2' x 4' grid ceilings
- Surface mounting
- Earthquake clips included
- Easily set wattage and CCT during installation using the adjustment switches located on the driver box

OPTIONS

- Integral battery backup offers up to 1,000 lumens of emergency powered illumination for 90 minutes for path of egress. Rated for ambient temperatures of 0°C to 40°C (32°F to 104°F)

ACCESSORIES

- Optional Surface Mount Kit (LPX-22-SMK and LPX-24-SMK)
- Optional Flange mount Kit (LP22-FMK and LP24-FMK)
- Optional Y-Cable Suspension Mount Kit (LPX-CMK)
- Field-installed 6' Metal clad whip (6 conductor, #18, for use in dimming applications)

TESTING & COMPLIANCE

- cULus Listed for Damp Locations, rated for insulated ceilings (IC Rated)
- DesignLights Consortium® PREMIUM Qualified
- Operating temperatures: -20°C to 45°C (-4°F to 113°F)

WARRANTY

- Five year warranty (terms and conditions apply)

Model: _____ Date: _____
 Accessories: _____
 Job Name: _____ Type: _____



Specs At A Glance*		
Model	CBLQ-22-CP	CBLQ-24-CP
Size	2' x 2'	2' x 4'
Wattage (W)	25W-30W-35W (Switchable)	34W-42W-50W (Switchable)
Lumens (lm)	3,125 - 4,445	4,250 - 6,350
CCT	3500K-4000K-5000K (Switchable)	
Efficacy (LPW)	≥125	
CRI	> 80	
Distribution	120°	
Input Voltage	120-277VAC, 50/60Hz, 0-10V Dimmable	
Operating Temp	-20°C to 45°C (-4°F to 113°F)	
Certifications	cULus Listed for Damp Locations, IC Rated DLC PREMIUM	
Warranty	5 Years	
Weight	6.8 lbs	11.5 lbs

*Nominal Wattage. Tested at 5000K CCT.

See performance table for more detailed lumen information.

ORDERING INFORMATION

Example: CBLQ-22-CP-BB

Series	Description	Options
CBLQ-22-CP ¹	Low-Profile LED Center Basket, 2' x 2', Power Switchable 25W/30W/35W, Color Switchable 3500K/4000K/5000K CCT, 120-277VAC, 0-10V Dimming Driver, White Finish	BB = Battery Backup
CBLQ-24-CP ¹	Low-Profile LED Center Basket, 2' x 4', Power Switchable 34W/42W/50W, Color Switchable 3500K/4000K/5000K CCT, 120-277VAC, 0-10V Dimming Driver, White Finish	

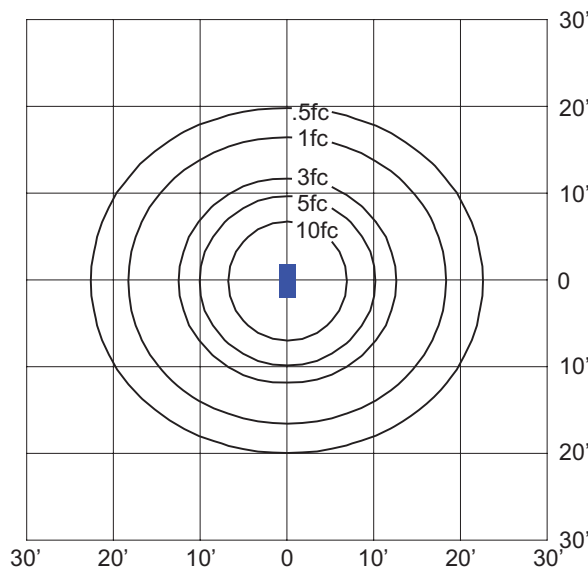
Notes	Accessories ² (Field Installed)
¹ All Panels are packaged in quantity of two (2pcs/carton)	LPX-CMK = Y Cable Suspension Mount Kit
² Order as a separate line item; shipped in separate box for field installation	LP22-FMK = 2' X 2' Flange Mount Kit
	LP24-FMK = 2' X 4' Flange Mount Kit
	LPX-22-SMK = 2' X 2' Surface Mount Kit
	LPX-24-SMK = 2' X 4' Surface Mount Kit
	MC6-6 = Metal Clad 6' (6 Conductor) #18 Leads Whip (For Dimming Apps.)

PERFORMANCE TABLE

Model	Wattage	CCT	Distribution	Lumen Output	Efficacy	CRI
CBLQ-22-CP (25W, 35K)	25	3500K	120°	3,125	125	>80
CBLQ-22-CP (25W, 4K)	25	4000K		3,150	126	>80
CBLQ-22-CP (25W, 5K)	25	5000K		3,175	127	>80
CBLQ-22-CP (30W, 35K)	30	3500K		3,750	125	>80
CBLQ-22-CP (30W, 4K)	30	4000K		3,780	126	>80
CBLQ-22-CP (30W, 5K)	30	5000K		3,810	127	>80
CBLQ-22-CP (35W, 35K)	35	3500K		4,375	125	>80
CBLQ-22-CP (35W, 4K)	35	4000K		4,410	126	>80
CBLQ-22-CP (35W, 5K)	35	5000K		4,445	127	>80
CBLQ-24-CP (34W, 35K)	34	3500K		4,250	125	>80
CBLQ-24-CP (34W, 4K)	34	4000K		4,300	126	>80
CBLQ-24-CP (34W, 5K)	34	5000K		4,350	127	>80
CBLQ-24-CP (42W, 35K)	42	3500K		5,250	125	>80
CBLQ-24-CP (42W, 4K)	42	4000K		5,300	126	>80
CBLQ-24-CP (42W, 5K)	42	5000K		5,350	127	>80
CBLQ-24-CP (50W, 35K)	50	3500K		6,250	125	>80
CBLQ-24-CP (50W, 4K)	50	4000K		6,300	126	>80
CBLQ-24-CP (50W, 5K)	50	5000K		6,350	127	>80

SAMPLE PHOTOMETRICS

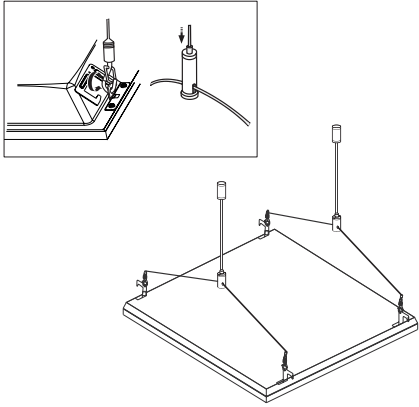
CBLQ-24-CP: 50W, 3500K CCT
 IES: TYPE VS Very Short
 MOUNTING HEIGHT: 10'
 TILT: ZERO
 HORIZONTAL SPACING CRITERIA: 1.22



Specifications are subject to change without notice. Installation must be performed in accordance with Barron Lighting Group installation instructions.

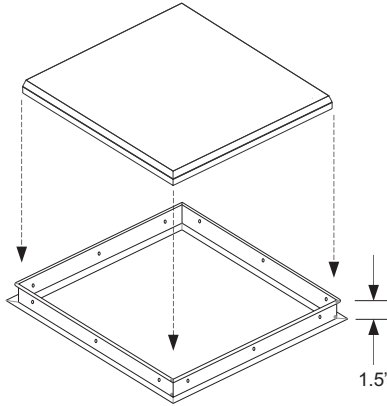
Cable Mount Kit (LPX-CMK)

Optional Y cable mounting kit (LPX-CMK) allows for suspended installations from any ceiling type. (2 pcs/kit, 3.2' length)



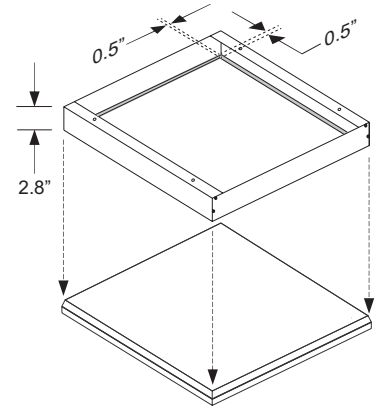
Flange Mount Kit (LPXX-FMK)

Optional flange kit (LP14-FMK, LP22-FMK, LP24-FMK) mounts above drywall ceiling, allows panel to be mounted flush to ceiling.

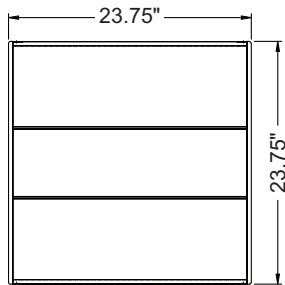


Surface Mount Kit (LPX-XX-SMK)

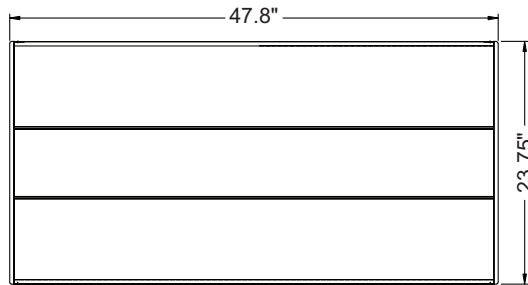
Optional surface mount kit (LPX-14-SMK, LPX-22-SMK, LPX-24-SMK) allows for installation on plaster or other hard ceilings.



DIMENSIONS



Depth: 2.12"



Depth: 2.12"