

**DESCRIPTION**

4" Dedicated IC housing is available for New Construction and Remodel applications and suitable for direct contact with insulation. Air-Tight construction reduces energy costs by reducing the amount of air leakage through the ceiling.

**NEW CONSTRUCTION SPECIFICATIONS**

**Construction:**

- Galvanized steel construction with removable housing for easy access to the junction box
- Pre-installed nails in bar hangers easily install in regular and engineered lumber joists
- Adjustable bar hangers from 13<sup>5</sup>/<sub>8</sub>" – 25" can be repositioned 90° on plaster frame

**REMODEL SPECIFICATIONS**

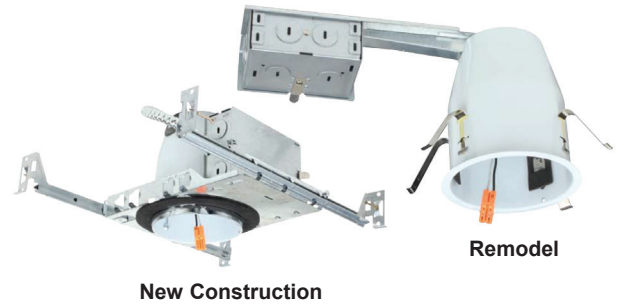
**Construction:**

- Installs into existing drywall or wood ceilings with no access from above
- Four remodel clips secure housing and accommodates 1/2" to 5/8" ceiling thickness

**FEATURES:**

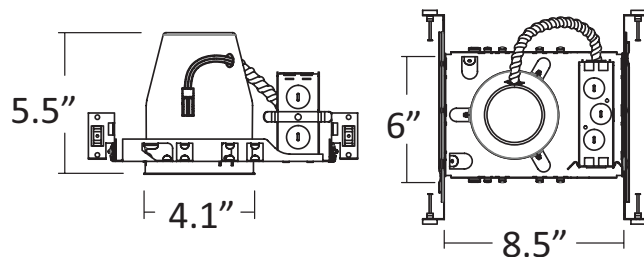
- Contains one (1) 1 1/8", six (6) 3/8" and four (4) romex pry-outs with strain relief
- UL listed for Damp Locations
- UL listed for feed-through/through-branch circuit wiring
- Certified under ASTM-E283 for air-tight construction
- Meets the state of California Title 24 Requirements
- Features quick-connect adapter

Model: \_\_\_\_\_ Date: \_\_\_\_\_  
 Accessories: \_\_\_\_\_  
 Job Name: \_\_\_\_\_ Type: \_\_\_\_\_

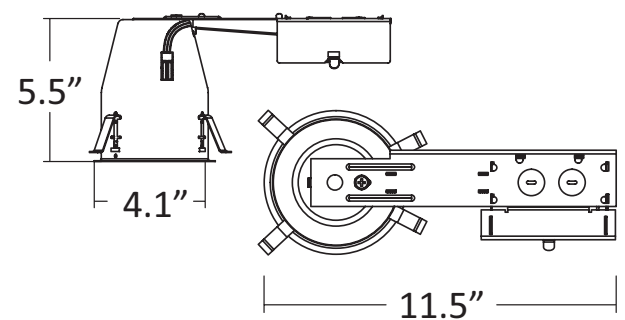


**Dimensions**

New Construction



Remodel



**Ordering Information**

SKUs	Description
BL4ICLED-NND	4" IC LED Recessed housing for new construction
BL4ICLED-RND	4" IC LED Recessed housing for remodel applications