



## IMPORTANT SAFEGUARDS READ AND FOLLOW ALL SAFETY INSTRUCTIONS.

When using electrical equipment, basic safety precautions should always be followed including the following:

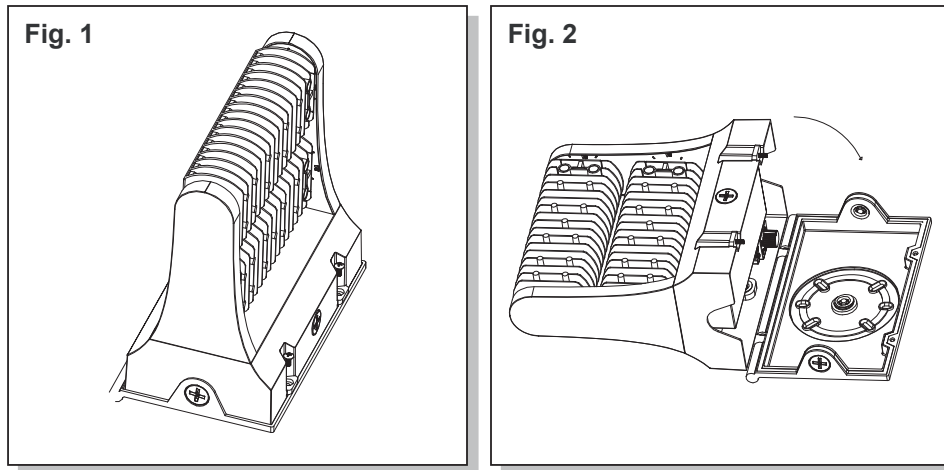
- **DISCONNECT AC POWER SUPPLY BEFORE SERVICING.**
- Installation and servicing of this equipment should be performed by qualified service personnel only.
- Ensure that the electrical wiring conforms to the National Electrical Code NEC® and local regulations if applicable.
- Do not mount near gas or electrical heaters.
- Equipment should be mounted in locations and at heights where it will not be readily subjected to tampering by unauthorized personnel.
- The use of accessory equipment not recommended by the manufacturer may cause an unsafe condition.
- Any modification or use of non-original components will void the warranty and product liability.
- Do not use this equipment for other than intended use.

## SAVE THESE INSTRUCTIONS!

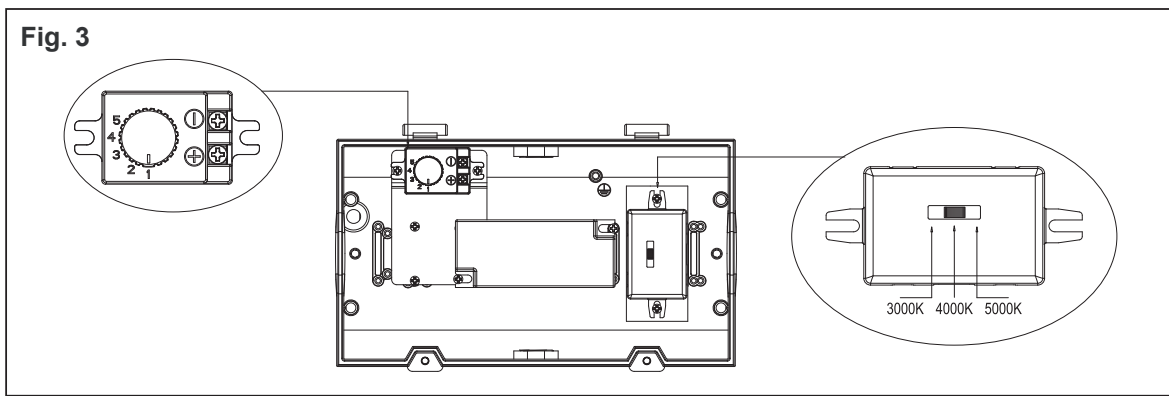
Technical Support ■ (623) 580-8943 ■ [technicalsupport@barronltg.com](mailto:technicalsupport@barronltg.com)

### Installation

1. Loosen the screws connecting the lamp cover to the lamp base, then swivel the lamp cover to open. (Figs. 1 & 2)

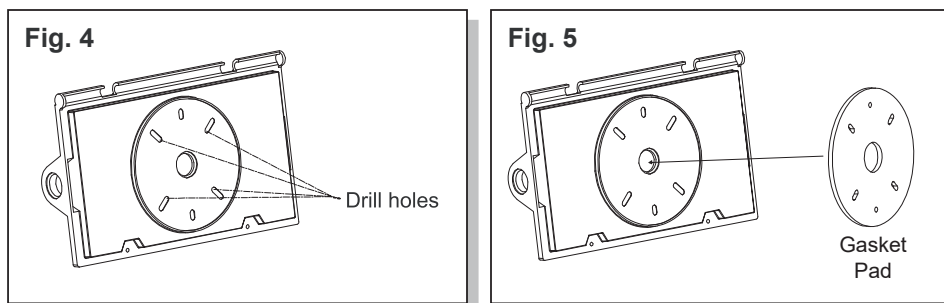


2. Set luminaire to the desired wattage and color temperature. (Fig. 3)



3. Drill holes through the lamp base for mounting at desired locations. (Fig. 4)

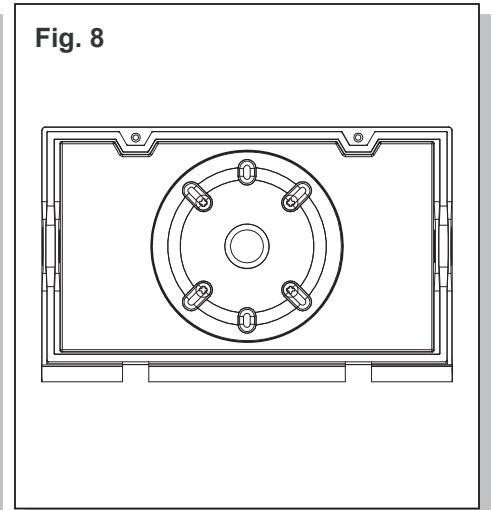
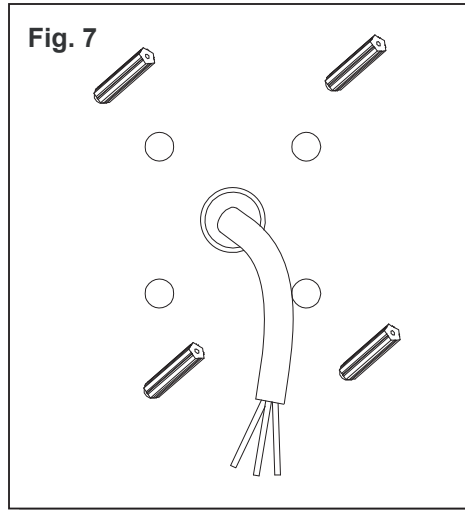
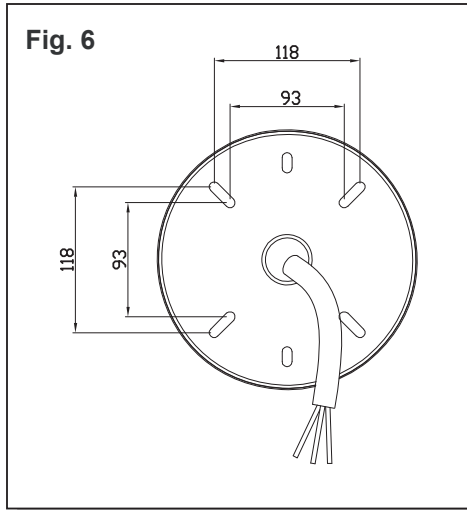
4. Attach the gasket pad to the lamp base, adhesive side towards the lamp base. (Fig. 5)



### Installation, Continued

5. Drill holes in the wall using the lamp base as a template. (Fig. 6)

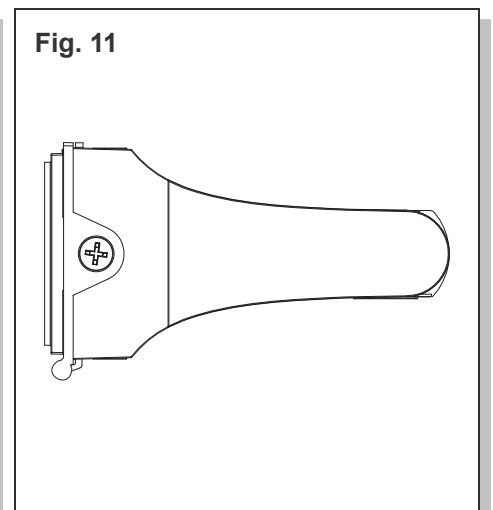
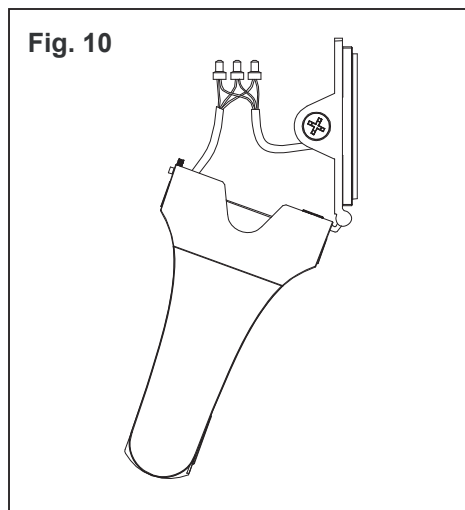
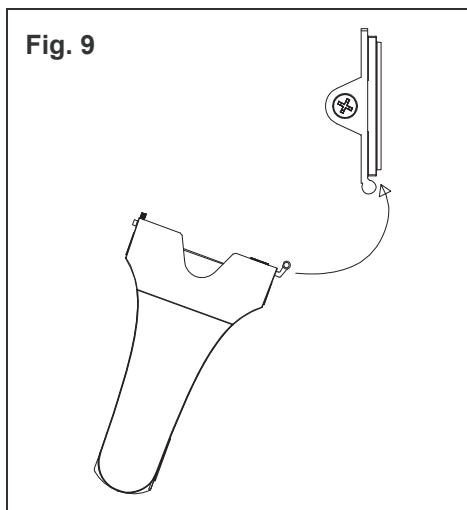
6. Mount the backplate to the wall with hardware provided by others. (Figs. 7 & 8)



7. Hook the lamp cover onto the lamp base. (Fig. 9)

8. Make electrical connections; see **Electrical Connections** section. (Fig. 10)

9. Rotate the lamp cover so that it is flush with the lamp base and tighten the screws. (Fig. 11)



# BAWX Series

## Installation Instructions

### Electrical Connections (Fig. 12)

All electrical connections should be made inside the J-box. Make electrical connections as follows:

#### 120-277VAC

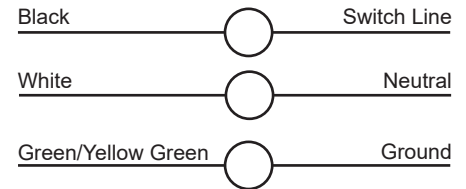
White - Common

Black - 120-277VAC

Green - Ground

**Note:** Cap unused wires to prevent shorting.

**Fig. 12**



### Troubleshooting

If the fixture does not operate correctly:

1. Check the incoming voltage to the LED driver(s). The voltage must be 120-277VAC.
2. Are all the LEDs on the light engine "OFF"? If so, LED driver may be defective. Using a voltmeter, check to see if voltage is present at the output of the power supply. If low or no voltage, then replace the power supply.
3. If any individual LEDs are "OFF" the LED light engine is defective. Please have the serial number off the light engine available when you contact technical support.