

IMPORTANT SAFEGUARDS READ CAREFULLY AND FOLLOW ALL SAFETY INSTRUCTIONS.

When using electrical equipment, basic safety precautions should always be followed including the following:

- DISCONNECT AC POWER SUPPLY BEFORE SERVICING.
- Installation and servicing of this equipment should be performed by qualified service personnel only.
- Ensure the electrical connections conform to the National Electrical Code and local regulations if applicable.
- Do not mount near gas or electrical heaters.
- Equipment should be mounted in locations and at heights where it will not be readily subjected to tampering by unauthorized personnel.
- The use of accessory equipment not recommended by the manufacturer may cause an unsafe condition.
- Any modification or use of non-original components will void the warranty and product liability.
- Do not use this equipment for other than intended use.
- Protect fixture from direct contact with all liquids to avoid breakage and/or thermal shock.
- Do not exceed maximum fixture voltage of 600V.
- Do not turn lamp on until fixture and ballast are properly installed.
- Make sure the fixture is properly supported (fixture weight 7 lbs.).
- Allow lamp to cool before handling.
- Do not use excessive force when installing lamps in fixture.
- Recycle/dispose of all lamps in a properly rated container.
- Wear safety glasses and gloves when installing lamps.
- Under normal operating conditions, fixture may become hot.
- Keep fixture away from all flammable material.
- Do not mount fixture directly touching and surface.
- Do not pull the cord to unplug the fixture, pull on the plug only.
- Do not lift fixture by the cord.
- Always wear protective eye wear around the fixture. Looking directly into fixture may be harmful to your eyes.
- Replace removable parts after servicing.
- THIS PRODUCT MUST BE INSTALLED IN ACCORDANCE WITH THE APPLICABLE INSTALLATION CODE BY A PERSON FAMILIAR WITH THE CONSTRUCTION AND OPERATION OF THE PRODUCT AND THE HAZARDS INVOLVED.

SAVE THESE INSTRUCTIONS!

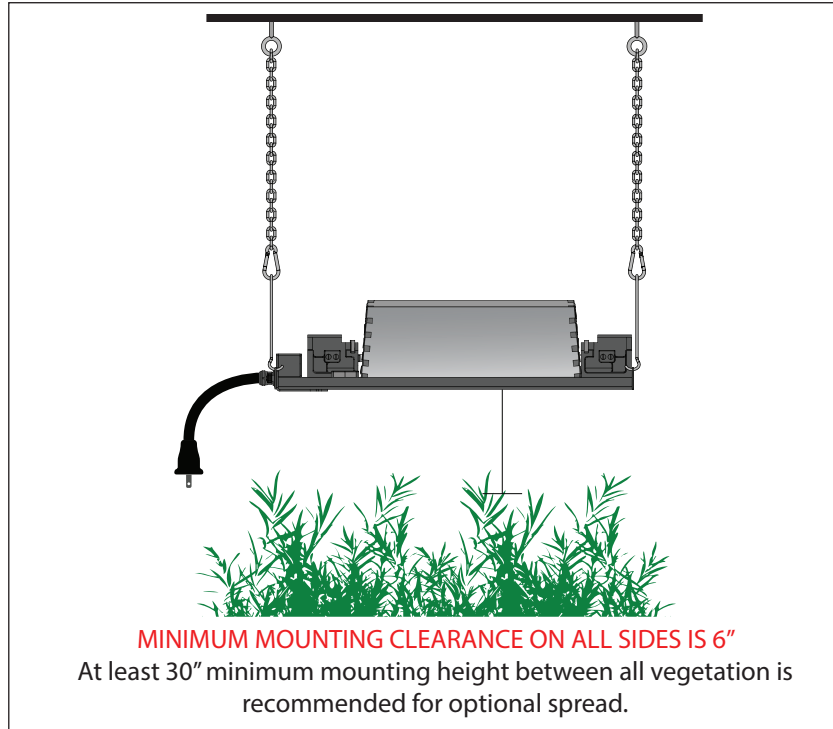
BOX CONTENTS:

- (1)pc HSE-E reflector unit (A)
- (1)pc Fine hammertone reflector (B)
- (1)pc 15' lamp extension cord. (C)
- (2)pcs V-Hooks (D)



GLH-HDE-E-UL

Installation Instructions



In order to maintain a safe installation:

Ensure a 6" minimum mounting clearance on all sides.

Ensure ventilation/cooling system can maintain an ambient air temperature below 95°F/35°C. Use ballast and lamp combination where the maximum wattage does not exceed 1000W for metal halide and high-pressure sodium. Keep protective barrier in place. Keep lamp cord away from housing.

Cords

1. Are not concealed or extended through a wall, floor, ceiling, or other parts of the building structure,
2. Are not located above a suspended ceiling or dropped ceiling,
3. Are not permanently affixed to the building structure,
4. Are routed so that they are not subject to strain and are protected from physical damage,
5. Are visible over their entire length, and
6. Are used within their rated ampacity as determined for the maximum temperature of the installed environment specified in the instructions.

GLH-HDE-E-UL

Installation Instructions



Lamp Installation

1. Open both wing doors on top of sockets to install the lamp (Fig. 1).
2. Ensure that the wire ends/leads of the lamp are not bent or frayed (Fig. 2).
3. With gloves on hands, place one end of the lamp into the socket under the tabs, then lower the other side slightly and slide inward to clear the opening of the opposite socket. Lamp should lay flat. Ensure the lead wires extend into the channel and oriented so that the burner filament (the long wire that runs along the full length of the arc tube) is positioned so that after rotating 180° will be facing the top of the reflector (Fig. 3).
4. Once the lamp is seated correctly, rotate 180° clockwise until it locks into position. *Doors will close on the lamp base as you begin to rotate* (Fig. 4).
5. Ensure you feel or hear the socket lock into detents at the end of the rotation.

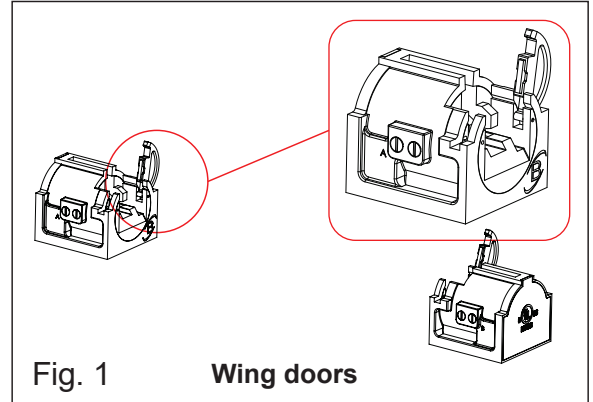


Fig. 1 Wing doors

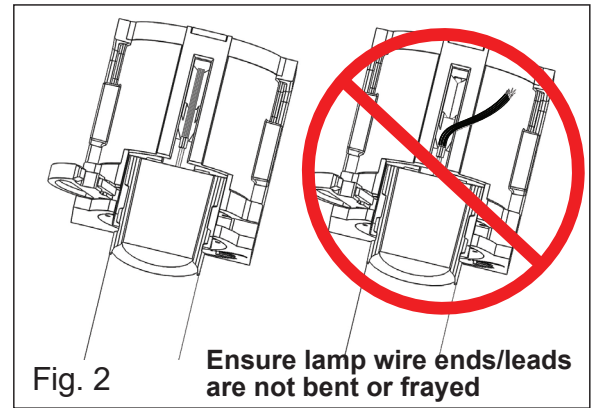


Fig. 2 Ensure lamp wire ends/leads are not bent or frayed

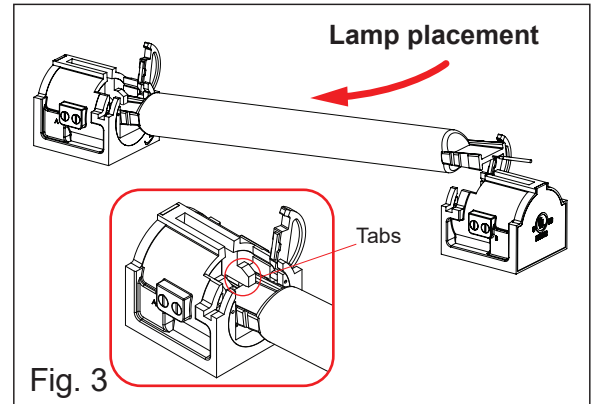


Fig. 3

Ensure you feel or hear the socket lock into detents at the end of the rotation.

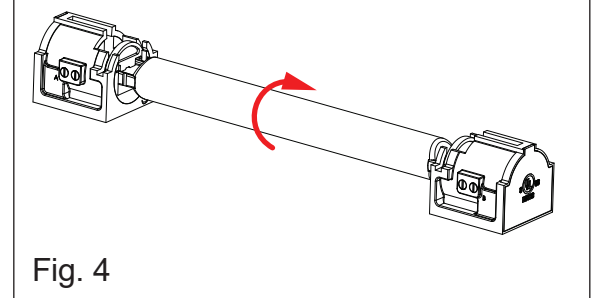


Fig. 4

WARNING - POSSIBLE RISK OF INJURY TO EYES AND SKIN

- Hazardous optical radiation may be emitted from the light source. Do not stare at operating lamp. May be harmful to eyes.
- UV may be emitted from the light source. Eye or skin irritation may result from exposure. Use appropriate shielding.
- IR may be emitted from the light source. Do not stare at operating lamp.

CAUTION - To avoid UV exposure risk, use ANSI Type ("O") lamp only. Do not install a lamp that requires UV filtering.

For model GLH-HDE-E-UL:

Lamp cat. No.	Wattage
AMH-DE1000W/AGRO	1000
GLL-1000-HDEL-HPS	1000

Suitable for damp locations

Use Listed Ballast rated for 1000W M47 or 1000W S52 lamps.

Lamp Removal

1. Shut off the power to the ballast and allow the lamp to cool completely before removing lamp.

Warning: Under normal operating conditions lamp may become hot.

2. With gloves on hands, rotate the lamp 180° counterclockwise till it stops, then open both wing doors.
3. Lift one side of the lamp slightly then slide and lift to remove.
4. Do not discard used lamp into trash, place used lamp in a collection container for recycling. See <https://growlite.com/recycle/> for free lamp recycling.