

IMPORTANT SAFEGUARDS READ AND FOLLOW ALL SAFETY INSTRUCTIONS.

When using electrical equipment, basic safety precautions should always be followed including the following:

- **DISCONNECT AC POWER SUPPLY BEFORE SERVICING.**
- Installation and servicing of this equipment should be performed by qualified service personnel only.
- Ensure that the electrical wiring conforms to the National Electrical Code NEC® and local regulations if applicable.
- For use with metal enclosure wiring systems.
- Do not mount near gas or electrical heaters.
- Do not use outdoors.
- Equipment should be mounted in locations and at heights where it will not be readily subjected to tampering by unauthorized personnel.
- The use of accessory equipment not recommended by the manufacturer may cause an unsafe condition.
- Any modification or use of non-original components will void the warranty and product liability.
- Do not use this equipment for other than intended use.
- Allow battery to charge for 24 hours before first use.

SAVE THESE INSTRUCTIONS!

Technical Support ■ (623) 580-8943 ■ technicalsupport@barronltg.com

Surface Ceiling Installation

1. Remove the end cap with the test button and LED indicator holes by loosening the (2) flat head screws and set aside. (Fig. 1)
2. Carefully slide out the homeplate assembly and panel assembly from the inside of the housing and set aside. (Fig. 1)
3. Prepare the housing. (Fig. 2) For ceiling mounting, punch out the desired knockouts on the top of the housing. Secure the canopy to the desired location on the enclosure using (2) sets of #6-32 screws and nuts provided.
4. Connect the battery to the PCB, if applicable. (Fig. 3)
5. Route the wires out through the canopy. (Fig. 3)
6. Slide the homeplate back into the housing. (Fig. 3)
7. Slide the panel assembly back into the housing. (Fig. 3)
8. Secure the end cap assembly using the (2) flat head screws from before. (Fig. 3)
9. Route the wires out through the center hole of the mounting plate. Ensure that the mounting plate is oriented such that the two flanges will be pointing away from the J-Box. (Fig. 4)
10. Make electrical connections; see **Electrical Connections** section.
11. Secure the mounting plate to the junction box.
12. Secure the canopy to the mounting plate with (4) #6-32 screws (provided).

Fig. 1

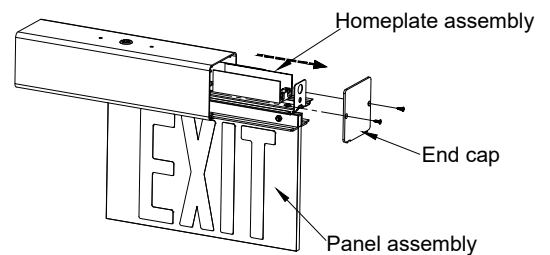


Fig. 2

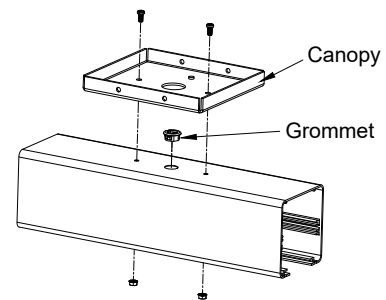


Fig. 3

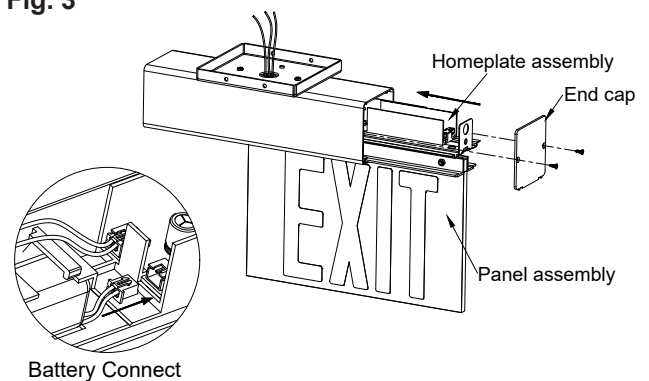
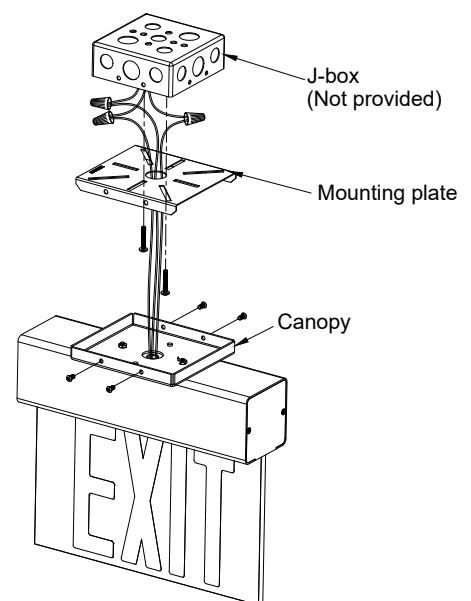


Fig. 4



Surface Wall Installation

1. Remove the end cap with the test button and LED indicator holes by loosening the (2) flat head screws and set aside. (Fig. 5)
2. Carefully slide out the homeplate assembly and panel assembly from the inside of the housing and set aside. (Fig. 5)
3. Prepare the housing. (Fig. 6) For wall mounting, punch out the desired knockouts on the side of the housing. Secure the canopy to the desired location on the enclosure using (2) sets of #6-32 screws and nuts provided.
4. Connect the battery to the PCB, if applicable. (Fig. 7)
5. Route the wires out through the canopy. (Fig. 7)
6. Slide the homeplate back into the housing. (Fig. 7)
7. Slide the panel assembly back into the housing. (Fig. 7)
8. Secure the end cap assembly using the (2) flat head screws from before. (Fig. 7)
9. Route the wires out through the center hole of the mounting plate. Ensure that the mounting plate is oriented such that the two flanges will be pointing away from the J-Box. (Fig. 8)
10. Make electrical connections; see **Electrical Connections** section.
11. Secure the mounting plate to the junction box.
12. Secure the canopy to the mounting plate with (4) #6-32 screws (provided).

Fig. 5

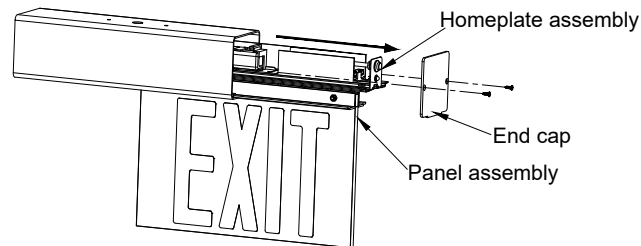


Fig. 6

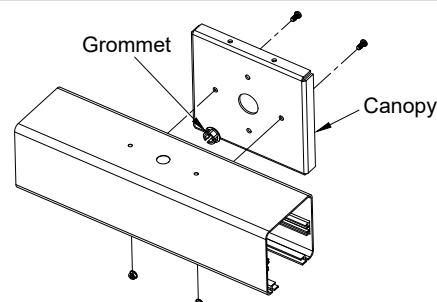


Fig. 7

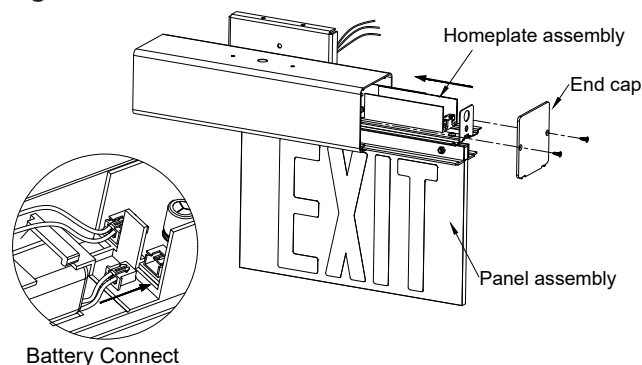
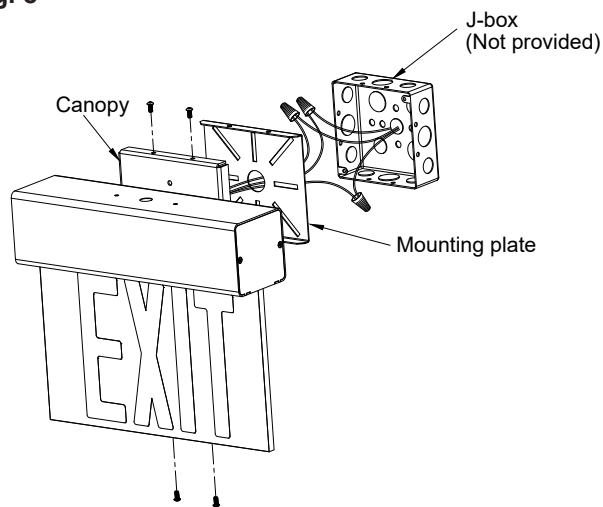


Fig. 8



Side Mount Installation

1. Remove the end cap with the test button and LED indicator holes by loosening the (2) flat head screws and set aside. (Fig. 9)
2. Carefully slide out the homeplate assembly and panel assembly from the inside of the housing. (Fig. 9)
3. Connect the battery to the PCB, if applicable. (Fig. 10)
4. Punch out the desired knockouts on the canopy to the desired location.
5. Slide the homeplate back into the housing. (Fig. 10)
6. Route the wires out through the canopy. (Fig. 10)
7. Secure the canopy to the desired location on the enclosure using self-tapping screws PWA3*12mm. (Fig. 10)
8. Route the wires out through the center hole of the mounting plate. Ensure that the mounting plate is oriented such that the two flanges will be pointing away from the J-Box. (Fig. 10)
9. Make electrical connections; see **Electrical Connections** section.
10. Secure the mounting plate to the junction box.
11. Secure the canopy to the mounting plate with (4) #6-32 screws (provided).

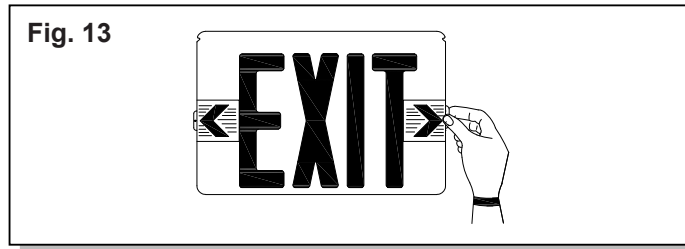
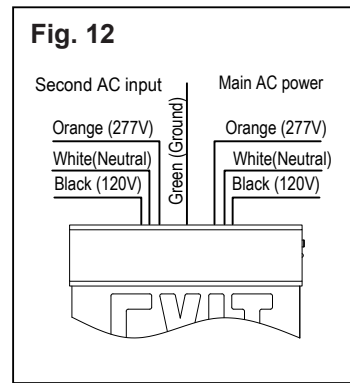
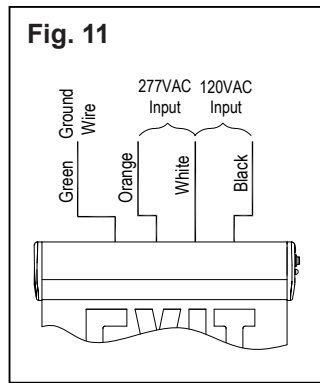
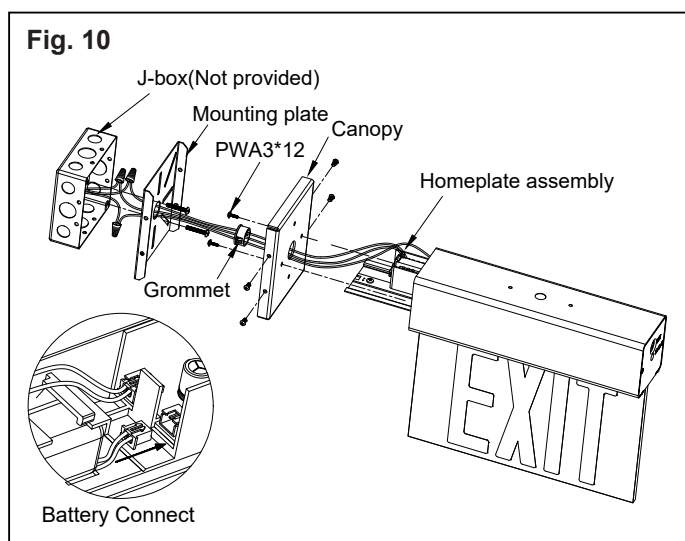
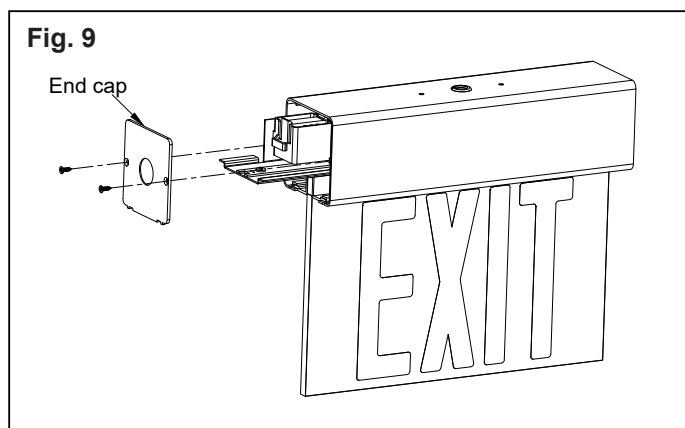
Electrical Connections

Note: Cap off the UNUSED input lead. Failure to do so can cause an unsafe operating condition.

- If using 120VAC, connect the black and white wires to the building utility.
- If using 277VAC, connect the orange and white wires to the building utility.
- For **AC Input Only** please refer to (Fig. 11)
- For **Emergency Battery Backup** please refer to (Fig. 11)
- For **Dual AC Input Only** please refer to (Fig. 12)

Chevron Placement (Fig. 13)

- If chevron is needed remove only the instruction film.
- If no chevron is needed, remove both the instruction film and chevron together.



Self-Test/Self-Diagnostics (G2)

Operation

The battery in this unit may not be fully charged. After electricity is connected to the unit for at least 24 hours, then normal operation of this unit should take effect. To check, press the “TEST” button. The EXIT sign should stay illuminated by battery backup and the LED indicator will be turned off. Release the “TEST” button, LED indicator will be turned on.

In accordance with NFPA 101, your emergency lighting system must be tested monthly for a minimum of 30 seconds and annually for 90 minutes. Refer to your local codes for any additional requirements that may apply.

Testing and Reporting Instructions

1. When AC power is supplied to fixture, the unit will automatically initiate a self-test and self-diagnostic test as follows:
 - Verifies battery disconnection, charger board failure at every 5 seconds.
 - 1 minute self-testing every month.
 - 30 minutes self-testing on every 6 months after installation.
 - 90 minutes self-testing on every 12 months after installation.
2. Dual color LED lamp indicator shows the following status:
 - Green color: On / Ready
 blinking: Testing
 - Red color: (Service Alert)
 - Service Alert LED Code (Red color LED lamp indicator)

●	One blink, 4 second pause	Battery is not connected
● ●	Two blinks, 4 second pause	Battery voltage too low
● ● ●	Three blinks, 4 second pause	Charger board circuit failure
● ● ● ●	Four blinks, 4 second pause	Transfer function failure
● ● ● ● ● ● ●	Seven blinks, 4 second pause	LED strip failure

Note: After solving the fault of emergency equipment, please press test button for 2 seconds then release to reset. LED indicator will show green.

3. “-G2” models also have a manual test function, press test button as follows:

Press test button once	(within 2 seconds)	30 seconds discharge test
Press test button twice	(within 2 seconds)	3 minutes discharge test
Press test button 3 times	(within 2 seconds)	30 minutes discharge test
Press test button 4 times	(within 2 seconds)	90 minutes discharge test