

Exitronix die-cast aluminum exit signs are designed to combine both elegance and performance while maintaining optimal energy-efficiency with bright, uniform illumination. Includes covers for both single- and double-face configurations.

The **GUARDIAN G3** remote monitoring and reporting system from Exitronix simplifies code compliance and significantly reduces operating and maintenance costs by offering automated testing, remote monitoring and reporting of emergency fixture status from a centralized location. For standard fixtures without remote monitoring and reporting, [click here](#).

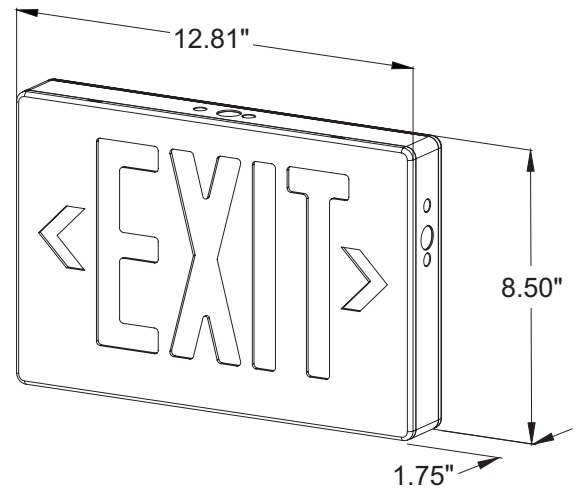
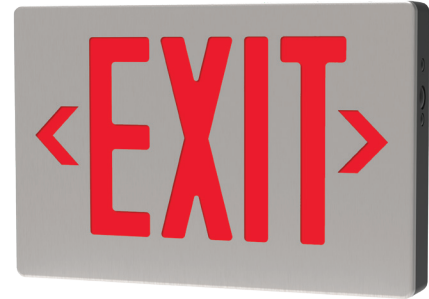
FEATURES & BENEFITS

- Includes GUARDIAN G3 self-test/self-diagnostics with remote monitoring and reporting
- Specification-grade exit sign with an enclosure constructed of precision die-cast aluminum
- Universal single- or double-face
- Field-selectable directional chevron knockouts
- California Energy Commission (CEC) compliant

SPECIFICATIONS

- Illumination:** Constant, uniform illumination by long-life, high-intensity red or green LEDs
- Housing:** Die-cast aluminum
- Input:** 120/277VAC Dual Primary, 60Hz
- Battery:** Maintenance-free NiCad battery
- Operating Temp:** 10°C to 40°C (50°F to 104°F)
- Run Time:** UL Listed 90 minute emergency run time, 24 hour recharge time
- Electrical:** Brownout protection, low voltage disconnect, overload disconnect, short circuit disconnect, solid state transfer
- Legend:** Fully-illuminated 6" characters with 3/4" stroke and field-selectable directional chevrons
- Mounting:** Ceiling, end or wall mount, mounting canopy included
- Finishes:** Brushed Aluminum, Black or White
- Certifications:** UL 924 Listed for Damp Locations, Meets or exceeds NFPA 101 Life Safety Code, NEC, OSHA, and California Energy Commission (CEC) Title 20 requirements
- Warranty:** Any component that fails due to a manufacturing defect is guaranteed for five years with a separate five year prorated warranty on the battery. The warranty does not cover physical damage, abuse or instances of uncontrollable natural forces. See the full Exitronix warranty document for detailed information. (Terms and Conditions apply)

Model: _____ Date: _____
 Accessories: _____
 Job Name: _____ Type: _____



ORDERING INFORMATION Example: 400WX-R-WB-BA-G3 For standard fixtures without remote monitoring and reporting, [click here](#).

Series	Legend Color	Power Source	Finish	Self-test/Self-diagnostics
400WX ¹	G = Green	WB = NiCad Batt	BA = Brush Alum w/Alum Face	G3 ² = Self-test/Self-diagnostics, Remote Monitoring and Reporting
	R = Red		BB = Black w/Black Face	G3PRO ^{2,3} - Self-test/Self-diagnostics, Remote Monitoring and Reporting w/Automated Email Notifications
			BL = Black w/Alum Face	
			WH = White w/Alum Face	Accessories⁴ (Field installed, order as separate line item)
			WW = White w/ White Face	GTWY-PRIMARY - Primary Remote Reporting Gateway
				GTWY-SECONDARY - Secondary Remote Gateway, Extends Range
				ROUTER - Wireless Internet Router
				TAB10 - 10" Tablet, Includes Guardian G3 Software
				TAB12 - 12" Tablet, Includes Guardian G3 Software
Notes				
¹ Universal, includes (2) face plates and (1) back plate				WALLBRKXX - Tablet Wall Bracket (XX = Specify 10" or 12" Tablet)
² Requires additional equipment, consult factory for details				WALLBRK-LOCKXX - Locking Wall Bracket (XX = Specify 10" or 12" Tablet)
³ Requires internet connection, supplied by facility				STANDBRKXX - Tablet Stand (XX = Specify 10" or 12" Tablet)
⁴ Order as separate line item				STANDBRK-LOCKXX - Locking Tablet Stand (XX = Specify 10" or 12" Tablet)

ELECTRICAL RATINGS

Model	NiCad Battery	Brownout	Low Voltage Disconnect	Overload Disconnect	Short Circuit Disconnect	Solid State Transfer	Input			
							VAC	Hz	mA	W
400WX-R-WB-XX-G3	3.6V 300mAh	Yes	Yes	Yes	Yes	Yes	120/277	60	30mA	2.5W
400WX-G-WB-XX-G3	3.6V 300mAh	Yes	Yes	Yes	Yes	Yes	120/277	60	30mA	2.5W

CONSTRUCTION

The 400WX-G3 Series exit is constructed of a specification-grade die-cast aluminum body with soft corners designed for traditional mounting. Clear finish on brushed face prevents fingerprints or other surface impurities. Field-selectable chevron knockouts are concealed and easily removed. All units are supplied with covers for both single- and double-face configurations. Includes mounting canopy for ceiling, end or wall mounting.

Stencil letters are 6" high with 3/4" stroke.

ILLUMINATION

Illumination of the 400WX-G3 Series is accomplished utilizing high-intensity, long-life LEDs. LEDs are a maintenance-free solution.

ELECTRICAL

Input

Dual-voltage input 120 or 277VAC @ 60Hz.

Nickel Cadmium Battery - NiCad (Standard)

Exitronix nickel cadmium batteries are maintenance-free.

Test Button

The test button is easy to locate and provides manual verification of the transfer circuit and emergency lamps.

Damp Location Rated

Damp Location Rated fixture that is normally or periodically subject to condensation of moisture in, on or adjacent to, and includes partially protected locations.

INSTALLATION

Installs in minutes with easy-to-read instructions and detailed diagrams. No special hardware or tools necessary. Internally housed components and battery eliminate the use of a canopy when wall mounting single-faced exits. Suitable for ceiling, end or wall mounting. Includes canopy and universal J-box mounting pattern on back plate.

GUARDIAN G3 Self-test/Self-diagnostics, Remote Monitoring and Reporting

The circuit continuously monitors the operating condition of the AC power, battery supply voltage and charging circuit.

The purpose of this option is to provide visual signaling in response to a fault at the EXIT sign battery and/or battery charger. If a failure is detected, visual status will occur immediately via the dual color LED. Refer to instruction manual for detailed information.

The circuit also monitors the transfer circuit as well as performing automatic code compliance testing.

The GUARDIAN G3 remote monitoring and reporting system provides wireless communication between emergency fixtures, enabling maintenance personnel to maintain and test emergency lighting equipment from a central location. System requires additional equipment and setup, consult factory for more information.

GUARDIAN G3PRO Self-test/Self-diagnostics, Remote Monitoring and Reporting with Automated Email Notifications

The G3PRO model has the features of the standard G3 but adds automated email notifications of fixture status reports (requires internet connection, supplied by facility).

CONFORMANCE TO CODES & STANDARDS

The 400WX-G3 Series is UL 924 Listed for Damp Locations and meets or exceeds the following: CEC (T20), NEC requirements and NFPA 101.