

400U-RG Series

Installation Instructions



IMPORTANT SAFEGUARDS READ AND FOLLOW ALL SAFETY INSTRUCTIONS.

When using electrical equipment, basic safety precautions should always be followed including the following:

- **DISCONNECT AC POWER SUPPLY BEFORE SERVICING.**
- Installation and servicing of this equipment should be performed by qualified service personnel only.
- Ensure that the electrical wiring conforms to the National Electrical Code NEC® and local regulations if applicable.
- Do not mount near gas or electrical heaters.
- Do not use outdoors.
- Equipment should be mounted in locations and at heights where it will not be readily subjected to tampering by unauthorized personnel.
- The use of accessory equipment not recommended by the manufacturer may cause an unsafe condition.
- Any modification or use of non-original components will void the warranty and product liability.
- Do not use this equipment for other than intended use.
- Allow battery to charge for 24 hours before first use.

SAVE THESE INSTRUCTIONS!

Technical Support ■ (623) 580-8943 ■ technicalsupport@barronltg.com

400U-RG Series

Installation Instructions

Ceiling (Fig. 1) or Side Mounting (Fig. 2)

Single or Double Face

1. Open EXIT panel from the housing (Fig. 4) and remove the hole plugs from the top (or side) of the housing, if necessary.
2. Remove the proper directional chevron(s) from the EXIT panel(s) carefully, if necessary (Fig. 5)
3. Change the color of sign if necessary, default color is red (Fig. 6).
4. FOR DOUBLE FACE (Fig. 1);
Remove the (3) back plate from the (1) housing by removing housing (5) screws (4pcs) at the corner of the EXIT housing. Then assemble the additional EXIT panel using the (5) housing screws (4pcs) with the housing.
(NOTE: The additional EXIT panel does not have any clips)
5. Secure canopy to the housing using hole numbers "2" and "3" on the canopy with provided canopy screws ((2) # 10-24 screws)
6. Route AC supply leads through top (or side) hole on the housing and the crossbar, then make the proper supply lead connections. Connect the black and white leads to the building utility. Be sure to connect the battery connector to circuit board (if applicable).
(See **Electrical Connections** on page 5)
7. Push excess wire into junction box and align holes in canopy with those in crossbar. Using screws supplied, tighten canopy to crossbar so that canopy is securely fastened and tight against ceiling (or wall).
8. Snap EXIT panel into the housing, bottom first and then top.

Wall Mounting

1. Open EXIT panel and remove the proper knockouts from the back plate (Fig. 3)
2. Remove the proper directional chevron(s) from the EXIT panel(s) carefully, if necessary (Fig. 5)
3. Change the color of sign if necessary, default color is red (Fig. 6).
4. Route AC supply leads through back hole on the housing and the crossbar, then make the proper supply lead connections. Connect the black and white leads to the building utility. Be sure to connect battery connector to circuit board (if applicable).
5. Feed excess wire into junction box and secure back plate to junction box.
6. Snap EXIT panel into the housing, bottom first and then top.

Fig. 1 Ceiling Mount

- | | |
|--------------------------|-------------------------------------|
| 1) Housing | 7) Canopy screws |
| 2) EXIT panel | 8) Crossbar |
| 3) Back plate | 9) Wire nuts |
| 4) Red or Green diffuser | 10) Junction box (Building utility) |
| 5) Housing screws | 11) Crossbar screws (not provided) |
| 6) Canopy | 12) Battery |

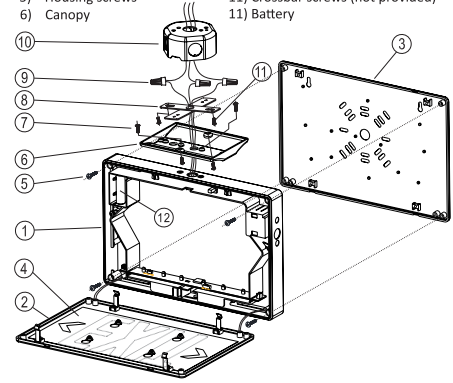


Fig. 2 Side Mount

- | | |
|--------------------------|-------------------------------------|
| 1) Housing | 7) Canopy screws |
| 2) EXIT panel | 8) Crossbar |
| 3) Back plate | 9) Wire nuts |
| 4) Red or Green diffuser | 10) Junction box (Building utility) |
| 5) Housing screws | 11) Crossbar screws (not provided) |
| 6) Canopy | 12) Battery |

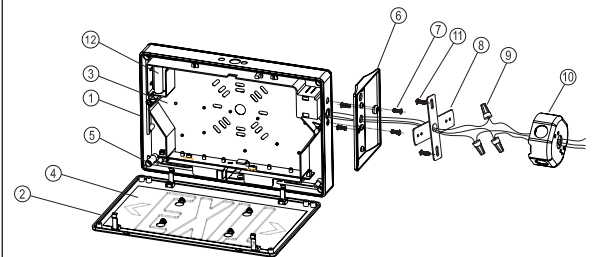
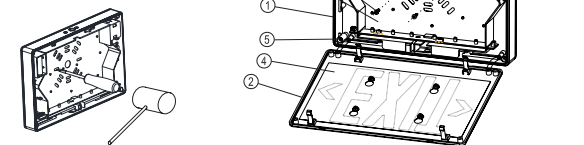


Fig. 3 Wall Mount

- | | |
|--------------------------|-------------------------------------|
| 1) Housing | 7) Canopy screws |
| 2) EXIT panel | 8) Crossbar |
| 3) Back plate | 9) Wire nuts |
| 4) Red or Green diffuser | 10) Junction box (Building utility) |
| 5) Housing screws | 11) Crossbar screws (not provided) |
| 6) Wire nuts | 12) Battery |

REMOVE KNOCKOUTS - DIA. 9



400U-RG Series

Installation Instructions

Chevron Knockout (Fig. 5)

1. Choose which side of chevron needs to be removed. Partially lift diffuser to gain access to the knockout.
2. Use an appropriate cushion on the back of the faceplate then knockout the chevron gently. Restore the diffuser back to its original position.

Red and Green Selectable (Fig. 6)

The default color of the sign is red. It can be changed to green if needed.

1. Change the red diffuser to green diffuser.
2. Slide the slider switch to the opposite position.

Electrical Connections

- Make the proper supply wire connections.
- For 120-277VAC, connect the black and white wires to the building utility.
- Cap off unused wires. In all cases, use standard wire nuts in connection to wires.

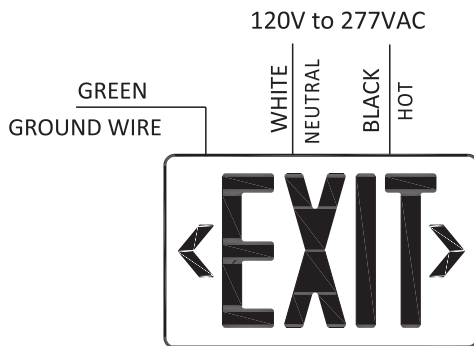


Fig. 4

Remove EXIT panel from the housing by pulling carefully at the top of the EXIT panel

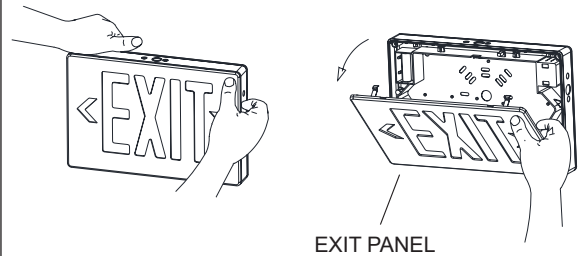


Fig. 5

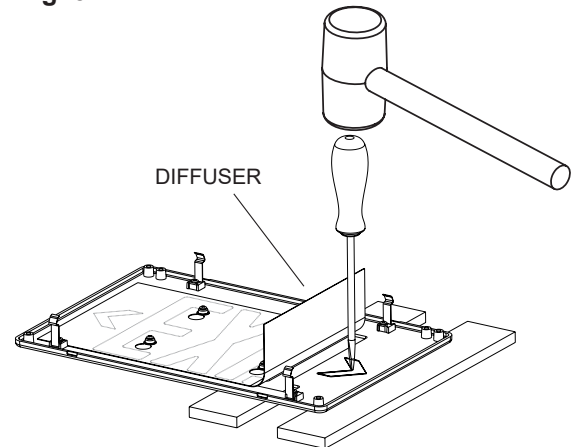
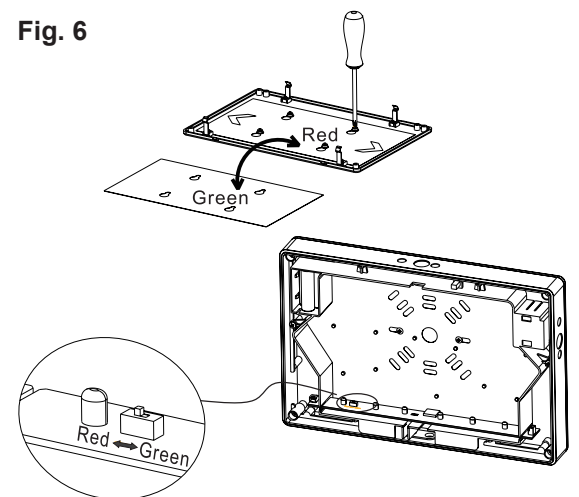


Fig. 6



400U-RG Series

Installation Instructions

Remote Capacity (Option) Attaching Remote Lamps

1. Remove jump connector from the female connector on the circuit board (Fig. 7).
2. Attach the remote wire male connector into the female connector on circuit board (Fig. 8).
3. Connect extended remote lamp wires to the remote wires using wire nut. Yellow is positive(+) and the purple is negative(-) (Fig. 8).

Fig. 7

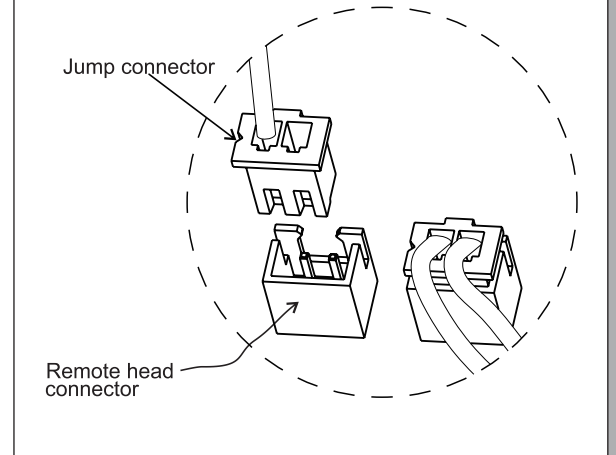
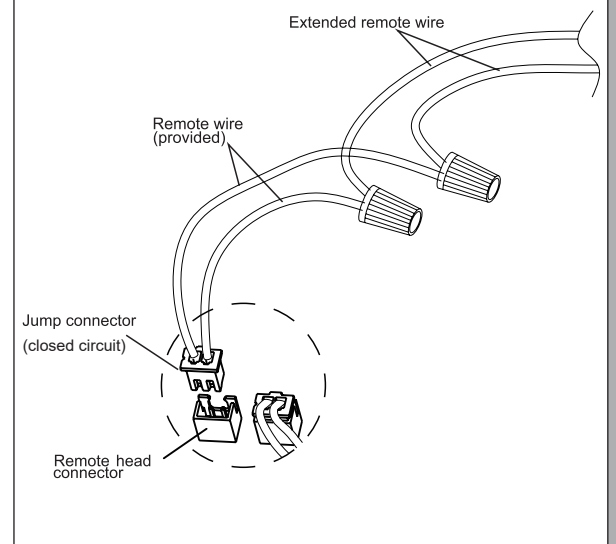


Fig. 8



Self-test/Self-diagnostics Instructions (G2 models)

- When AC power is supplied to fixture, the unit will automatically initiate a self-test and self-diagnostic test as follows:
 - Verifies battery disconnection, charger board failure at every 5 seconds.
 - 1 minute self-testing every month.
 - 30 minutes self-testing on every 6 months after installation.
 - 90 minutes self-testing on every 12 months after installation.
- Dual color LED lamp indicator shows the following status:
 - Green color: On / Ready
Blinking: Testing
 - Red color: (Service Alert)
 - Service Alert LED Code (Red color LED lamp indicator)

●	One blink, 4 second pause	Battery is not connected
● ●	Two blinks, 4 second pause	Battery voltage too low
● ● ●	Three blinks, 4 second pause	Charger board circuit failure
● ● ● ●	Four blinks, 4 second pause	Transfer function failure
● ● ● ● ● ●	Six blinks, 4 second pause	Remote heads failure (Option)
● ● ● ● ● ● ●	Seven blinks, 4 second pause	LED strip failure

Note: After solving the fault of emergency equipment, please press test button for 2 seconds then release to reset. LED indicator will show green.

- G2 models also have a manual test function, press test button as follows:

Press test button once	30 seconds discharge test
Press test button twice within 2 seconds	3 minutes discharge test
Press test button 3 times within 2 seconds	30 minutes discharge test
Press test button 4 times within 2 seconds	90 minutes discharge test