



WHY JUST BE GREEN WHEN YOU CAN BE COLORFUL?

Model: \_\_\_\_\_ Date: \_\_\_\_\_  
 Accessories: \_\_\_\_\_  
 Job Name: \_\_\_\_\_ Type: \_\_\_\_\_



LED FLEXIBLE BORDER TUBE

**PRODUCT DESCRIPTION**

Similar to our already popular FBTCJ, the WAVE offers additional flexibility to your creative designs due to its back to front bending orientation. Corners and angles can now be installed seamlessly with the Wave.

The Wave Series combines constant current technology with a flexible polyvinyl chloride housing to create a durable, extremely bright, uniform illumination with a versatility that makes it perfect for any custom design application.

The Wave has a low square profile that allows for a tighter more precise viewing pattern while providing an increase in the lumens due to its internal optic.

**APPLICATIONS**

- Borders
- Cove lighting
- Bridges
- Gazebos
- Roof lines
- Signage
- Accent lighting

**FEATURES**

- Energy efficient LEDs consume 3.4W/ft or less, saving up to 70% or more over traditional neon
- Indoor and outdoor rated
- Flexible PVC housing can conform to almost any angle, virtually unbreakable
- Opaque jacket housing with "colored" LEDs every .04 inches
- Uniform lighting with no "hotspots"

**LED CHARACTERISTICS**

- Nichia surface mount LEDs (33 LEDs/ft)
  - L70% Maintenance: 50,000 hours
- LEDs available in Warm White (2700K), Pure White (3500K), Cool White (4500K), Daylight White (5700K), Red, Blue and Green

**ELECTRICAL**

- WAVE input voltage: 24VDC
- Constant current drivers available for 120-277VAC, 50/60Hz
- Operating Product Length: 65' when power is supplied to both ends
- Dimming: 1-10V, compatible with most low voltage (24VDC) magnetic dimmers

**PRODUCT SPECIFICATIONS**

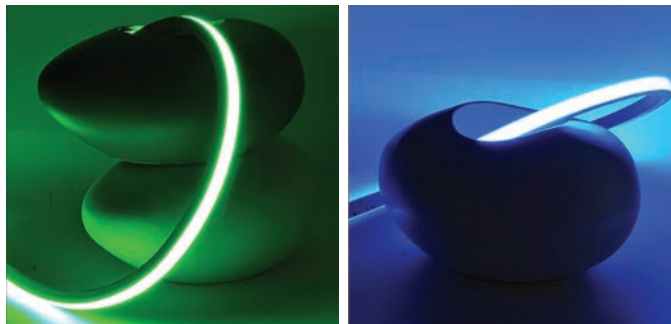
- Flexible, shatterproof, cool to touch, UV inhibited, PVC housing
- 2 wire, single color, flexible border tubing
- Roll length: 65 feet (Maximum)
- Mounting: Mounting clips (WAVE-MC) or mounting channel available in standard (WAVE-LCH) or locking model (WAVE-LCH-L)
- Dimensions: 0.63" wide, 0.63" high
- Viewing angle: 160°

**LISTINGS**

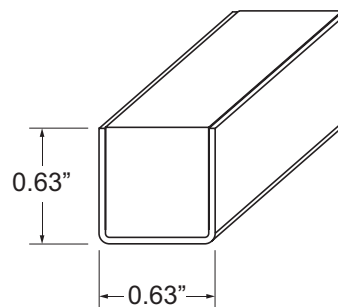
- UL2108/IP68/LM-79/LM-80/RoHS/CE/Exceeds ANSI C78.377A
- California Title 24 Compliant
- Operating temperature: -22°F - +140° F (-30°C - +60°C)

**WARRANTY**

- 5 Year Warranty (Terms and Conditions Apply)



**DIMENSIONS**



**LM-80**



For the complete line of specialtyLED® products, visit us online at [barronlgt.com](http://barronlgt.com).

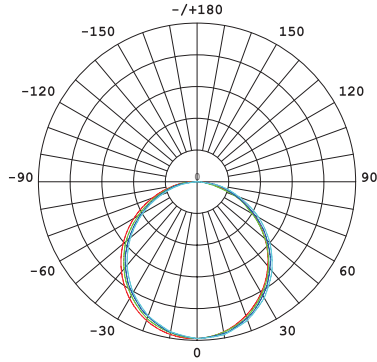
SPECIFICATIONS ARE SUBJECT TO CHANGE WITHOUT NOTICE

## TECHNICAL / ILLUMINATION INFORMATION

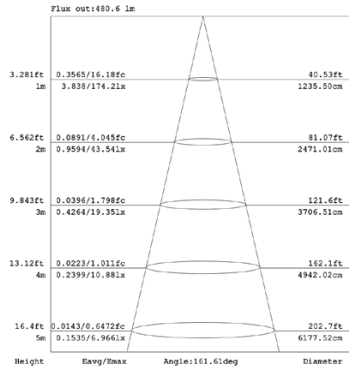
Color	Voltage	Rated Power W/ft	Cutting Increment	Max Run <sup>1</sup>	CCT or Wavelength	Lumens lm/ft
Warm White	24VDC	3.4	2.19"	65'	2700K	137
Pure White	24VDC	3.4	2.19"	65'	3500K	137
Cool White	24VDC	3.4	2.19"	65'	4500K	137
Daylight White	24VDC	3.4	2.19"	65'	5700K	137
Red	24VDC	2.2	3.28"	65'	620 nm	55
Green	24VDC	3.4	2.19"	65'	520 nm	110
Blue	24VDC	3.4	2.19"	65'	460 nm	15

<sup>1</sup> When unit has power supplied to both ends

## CANDLE POWER DISTRIBUTION



## ILLUMINANCE CHARACTERISTICS



## ORDERING INFORMATION

Example: WAVE-WW-65-24V

Series	Color	Length	Voltage
WAVE	WW <sup>1</sup> = Warm White (2700K) WP <sup>1</sup> = Pure White (3500K) WC <sup>1</sup> = Cool White (4500K) WD <sup>1</sup> = Daylight White (5700K)	R = Red G = Green B = Blue XX <sup>2</sup> = Custom Length	65 = 65 Feet 24V <sup>3</sup> = 24 Volt DC

### Notes

<sup>1</sup> Color temperature can vary  $\pm 5\%$

<sup>2</sup> Custom lengths ordered specific to product cutting increments

<sup>3</sup> Requires transformer, ordered separately

## 24VDC NON-DIMMING TRANSFORMER ORDERING INFORMATION (ORDER AS SEPARATE LINE ITEM)

Example: XFMR-24-60

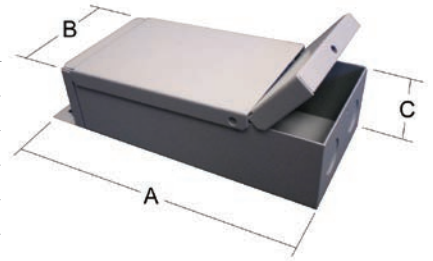
Part Number	Description	Dimensions (AxBxC)
XFMR-24-20	24 Volt, 20 Watt, Class 2 Power Supply	4.65" x 1.37" x 1.0"
XFMR-24-35	24 Volt, 35 Watt, Class 2 Power Supply	5.8" x 1.57" x 1.18"
XFMR-24-60	24 Volt, 60 Watt, Class 2 Power Supply	6.39" x 1.67" x 1.25"
XFMR-24-150	24 Volt, 150 Watt, Class 2 Power Supply	8.74" x 2.67" x 1.52"



**24VDC DIMMING TRANSFORMER ORDERING INFORMATION** (ORDER AS SEPARATE LINE ITEM)

Example: XFMR-DIM-24-60

Part Number	Description	Enclosure Dimensions (AxBxC)
XFMR-DIM-24-20	24 Volt, 20 Watt, Class 2 Power Supply	8.5" x 3.5" x 3"
XFMR-DIM-24-40	24 Volt, 40 Watt, Class 2 Power Supply	8.5" x 3.5" x 3"
XFMR-DIM-24-60	24 Volt, 60 Watt, Class 2 Power Supply	8.5" x 3.5" x 3"
XFMR-DIM-24-96	24 Volt, 96 Watt, Class 2 Power Supply	8.5" x 3.5" x 3"
XFMR-DIM-24-192	24 Volt, 192 Watt, Class 2 Power Supply	14" x 8" x 5"
XFMR-DIM-24-288	24 Volt, 288 Watt, Class 2 Power Supply	14" x 8" x 5"



Note: All transformers are to be installed per NEC requirements. Wire leads on the 24 volt product are 18 gauge. Transformer is to be mounted within 10 feet of product. If transformer is mounted more than 10 feet from product, voltage drop and maximum operating distances should be taken into account when making transformer selection. Dimming transformer does not include dimming wall switch.

**ACCESSORIES** (ORDER AS SEPARATE LINE ITEM)

Part Number	Image	Description	Part Number	Image	Description
WAVE-LCR-24V-F1M		Seamless injection-molded line cord right feed, factory installed (IP68)	WAVE-LCBE-24V-F1M		Seamless injection-molded line cord bottom feed, factory installed
WAVE-LCL-24V-F1M		Seamless injection-molded line cord left feed, factory installed (IP68)	WAVE-LCS-24V-F1M		Seamless injection-molded line cord side feed, factory installed
WAVE-EC-F		Seamless injection-molded end cap, factory installed	WAVE-LCH		Aluminum Linear Channel 0.75" x 0.6875" x 3.28"
WAVE-MC		Mounting Clip 0.75" x 0.6875" x 2"			

**CUSTOM ORDERING EXAMPLE (W/O DIMMING, 40' RUN)**

Qty 1 WAVE Flexible Border Tube (WAVE-R-40-24V)

Qty 13 Linear Channel (WAVE-LCH)

Qty 1 Line Cord connector assembly (WAVE-LC-RIGHT-24V)

Qty 1 End cap connector assembly (WAVE-EC)

Qty 1 Transformer (XFMR-24-150)



800.533.3948 • www.barronltg.com