



WHY JUST BE GREEN WHEN YOU CAN BE COLORFUL?

The LCM Series LED Modules are powered by 5630 SMD LEDs encapsulated in a thermoplastic molded housing. These single LED modules offer high performance yet low operating costs for commercial signage applications. They can be easily manipulated, mounted on any surface and require no maintenance. The LED modules are supplied in a continuous string of up to 42 modules that can be individually cut based on customer needs. LCMs are ideal for channel letter lighting, back and cove lighting, halo effects and accent lighting.

FEATURES

- LED solid state lighting module
- Available in warm white, pure white, cold white and red
- Long life, minimal power consumption of 0.72W per module
- Indoor and outdoor rated
- Reliable in extreme temperatures
- No broken glass or toxic materials compared to neon
- Shatterproof and vibration resistant
- Printed markings allow for individual modules to be cut (42 LED modules per string)
- Easy installation using 3M adhesive tape included on the back of each module
- Uniform illumination
- High luminous intensity
- 3 year/ 13,000 hours warranty

TECHNICAL SPECIFICATION

- 3 wire, single color, LED module
- Voltage: 12VDC
- IP rating: IP65 rated
- Flame resistant UL94V-0 rated thermoplastic housing
- Dimensions: 1.89" long, 0.73" wide, 0.24" high
- Beam angle: 115°
- Applicable for 4.7" to 9.8" depth signage

Model: _____ Date: _____
 Accessories: _____
 Job Name: _____ Type: _____

LCM1

LED CHANNEL LETTER MODULES

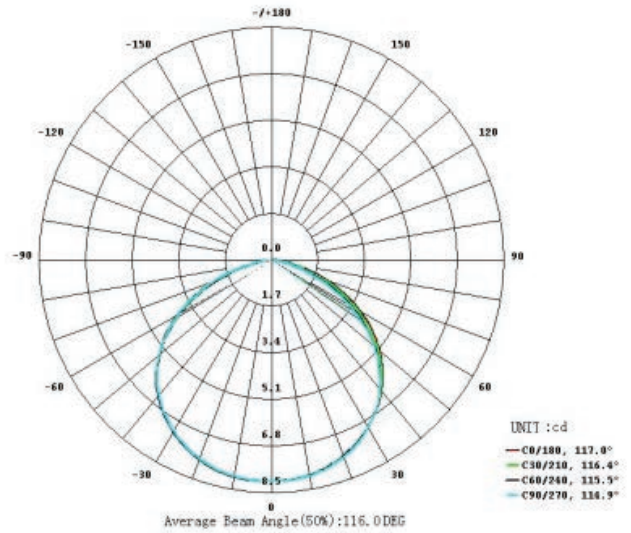


For the complete line of specialtyLED® products, visit us online at barronltg.com.

SPECIFICATIONS ARE SUBJECT TO CHANGE WITHOUT NOTICE

PRODUCT SPECIFICATIONS

- LED specs:
 - Powered by a 5630 SMD LED chip
 - 4.33" OC spacing between LED modules
 - CRI 75
- Construction: Overmolded thermoplastic housing with aluminum PCB modules
- Available in warm white (3000K), pure white (6000K), cold white (9000K) and red
- 42 LED modules per string
- 3 LED modules per foot
- Continuous string length: 15'
- Mounting: 3M double sided adhesive tape (included) or pre-drilled holes for a more secure installation (hardware not provided)
- Operating temperature: -13°F - 140°F (-25°C - 60°C)
- Storage temperature: -13°F - 158°F (-25°C - 70°C)
- 3 Year /13,000 hours warranty, does not apply to damages caused by improper installation, abuse, fire or acts of God



TECHNICAL INFORMATION

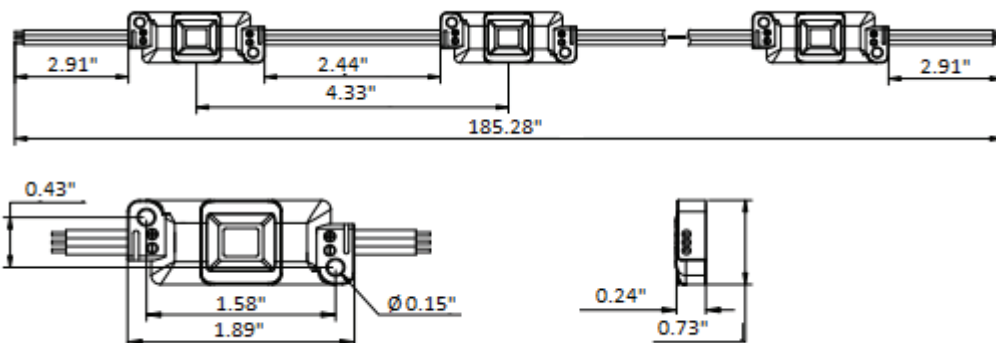
	WW (Warm White)	WP (Pure White)	WC (Cold White)	R (Red)
LED / Module	1	1	1	1
CCT or Wavelength	3000K	6000K	9000K	620-625nm
Wattage per Module	0.72W	0.72W	0.72W	0.72W
Voltage	12V	12V	12V	12V
Current	60mA	60mA	60mA	60mA
Lumens / Module	33	33	33	13
Lumen Output (lm/ft)	99	99	99	39

ORDERING INFORMATION

Example: LCM1-WC-20

Series	Color	# of Modules
LCM1	WW ¹ = Warm White (3000K)	XX ² = # of Continuous Modules
	WP ¹ = Pure White (6000K)	
	WC ¹ = Cold White (9000K)	
	R = Red	
		Notes
		¹ Color temperatures can vary ±5%
		² 42 LED modules max per continuous string

DIMENSIONS



12VDC NON-DIMMING TRANSFORMER ORDERING INFORMATION (ORDER AS SEPARATE LINE ITEM)

Example: XFMR-12-60

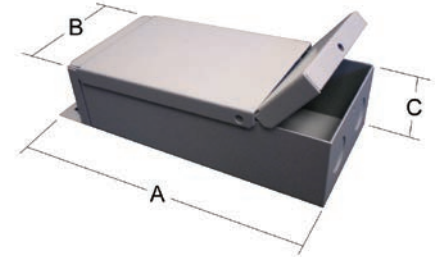
Part Number	Description	Dimensions (AxBxC)
XFMR-12-20	12 Volt, 20 Watt, Class 2 Power Supply	4.65" x 1.37" x 1.0"
XFMR-12-35	12 Volt, 35 Watt, Class 2 Power Supply	5.8" x 1.57" x 1.18"
XFMR-12-60	12 Volt, 60 Watt, Class 2 Power Supply	6.39" x 1.67" x 1.25"
XFMR-12-150	12 Volt, 150 Watt, Class 2 Power Supply	8.74" x 2.67" x 1.52"



12VDC DIMMING TRANSFORMER ORDERING INFORMATION (ORDER AS SEPARATE LINE ITEM)

Example: XFMR-DIM-12-60

Part Number	Description	Dimensions (AxBxC)
XFMR-DIM-12-20	12 Volt, 20 Watt, Class 2 Power Supply	8.5" x 3.5" x 3"
XFMR-DIM-12-40	12 Volt, 40 Watt, Class 2 Power Supply	8.5" x 3.5" x 3"
XFMR-DIM-12-60	12 Volt, 60 Watt, Class 2 Power Supply	8.5" x 3.5" x 3"
XFMR-DIM-12-96	12 Volt, 96 Watt, Class 2 Power Supply	8.5" x 3.5" x 3"
XFMR-DIM-12-120	12 Volt, 120 Watt, Class 2 Power Supply	14" x 8" x 5"
XFMR-DIM-12-180	12 Volt, 180 Watt, Class 2 Power Supply	14" x 8" x 5"
XFMR-DIM-12-240	12 Volt, 240 Watt, Class 2 Power Supply	14" x 8" x 5"



Note: All transformers are to be installed per NEC requirements. Wire leads on the 12 volt product are 18 gauge. Transformer is to be mounted within 10 feet of product. If transformer is mounted more than 10 feet from product, voltage drop and maximum operating distances should be taken into account when making transformer selection. Dimming transformer does not include dimming controller.