

The EXITRONIX XES-20 Emergency Lighting Control Device allows the use of auxiliary generator or inverter power on switched fixtures in power failure situations. The XES-20 senses the loss of normal AC power and bypasses local control devices such as switches, occupancy sensors, or timers, providing emergency power to the fixtures regardless of the control setting. The XES-20 allows for operation of the load at full light output until normal power is restored or for as long as the generator or inverter supply is available. The XES-20 will work in conjunction with any fixture on the designated 20 amp circuit per the rated specifications. Allowing for the use of switched fixtures with a generator or inverter supply eliminates the need for night lights and promotes increased energy savings. Dimming relay model (XES-20 DR) available to accommodate dual-zone dimming.

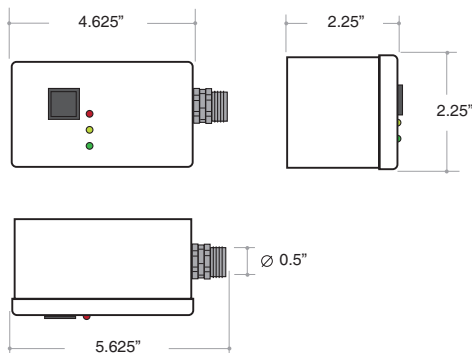
**TECHNICAL SPECIFICATIONS**

Input Voltage: 120/277V, 60Hz  
 Maximum Load Ratings:  
 LED driver: 8A @120VAC, 50/60Hz per NEMA 410  
 8A @277VAC, 50/60Hz per NEMA 410  
 Ballast: 20A @ 120/277VAC, 50/60Hz  
 Incandescent: 10A @ 120VAC, 50/60Hz  
 Emergency Operation: The XES-20 will operate in conjunction with any lighting load as noted in the specifications in the designated 20 amp circuit for the duration of the auxiliary supply  
 Weight: 1.0 lbs  
 Operating Temperature: -20° to 55° C (-4° to 131° F)

**FEATURES**

- UL and CUL 924 Listed
- LED indicators for determining functional readiness and operation modes.
- Galvanized steel housing
- Simplified junction box installation
- Meets or exceeds all NEC, IBC, and Life Safety Code Emergency Lighting Requirements
- Unit temperature withstand condition range of -20° to 55° C
- Suitable for use in plenum and damp location applications
- RoHS Compliant
- Optional jumper loop for connection to alarm, security panel, or other remote trigger device.
- Dual-Zone dimmer bypass model also available
- 5-Year Warranty

**DIMENSIONS**



Model: \_\_\_\_\_ Date: \_\_\_\_\_  
 Accessories: \_\_\_\_\_  
 Job Name: \_\_\_\_\_ Type: \_\_\_\_\_



**LOADS OPERATED**

Allows operation of switched fixtures from the generator or inverter supply.

**PRODUCT ADVANTAGES**

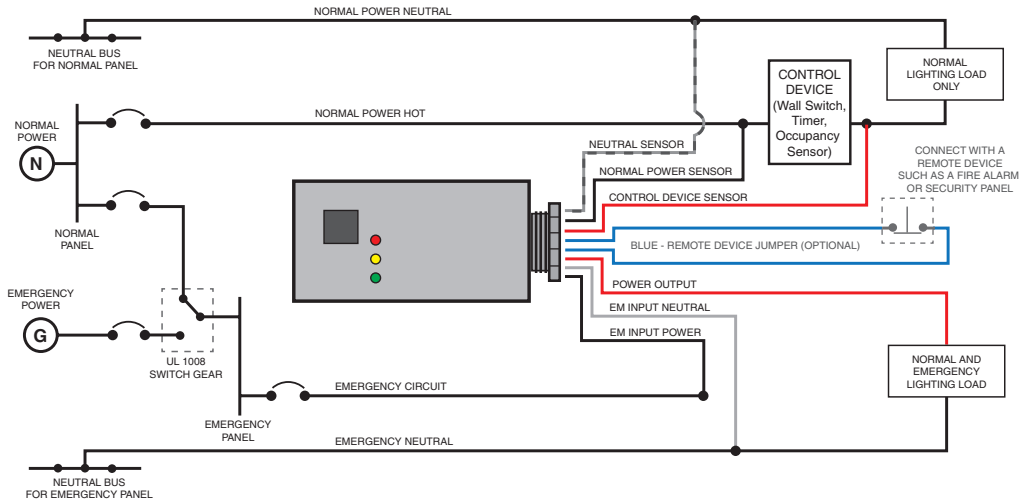
- Allows operation of switched or dimmed fixtures on an auxiliary generator or inverter supply.
- Promotes energy savings by eliminating the need for multiple always-on fixtures
- Full light output

**WARRANTY**

The Exitronix XES-20 is warranted for five (5) years from date of purchase. The warranty does not cover physical damage, abuse or instances of uncontrollable natural forces. See the full Exitronix warranty document for detailed information.

WIRING DIAGRAM

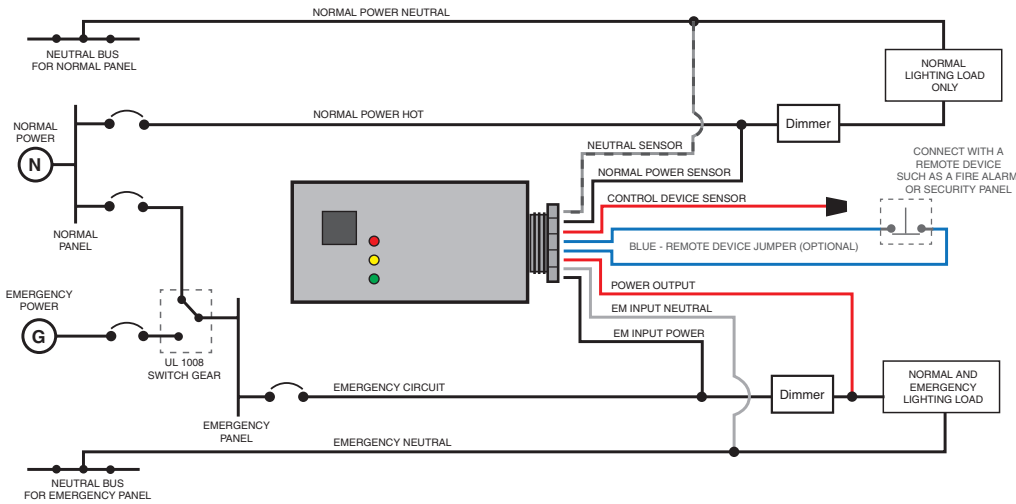
XES-20



Typical Application

During presence of normal power, the XES-20 senses the setting of the 'ON/OFF' control device through the red wire (Control Device Sensor) and operates the Normal/EM mode accordingly. When normal power is lost, the XES-20 allows operation of the Normal/EM load at full output from the auxiliary supply, regardless of control device status.

XES-20 with dimmer controls



Normal/EM Dimmer Control

The XES-20 can be used with dimming applications by adding a second dimmer device to the designated EM circuit. In this scenario, both the EM circuit and XES-20 power output are connected to the load. The red Control Device Sensor of the XES-20 remains disconnected and there is no power output from the XES-20 unless normal AC power is lost. If emergency power is activated, the XES-20 will then route power around the dimmer on the EM circuit.