

Guard your Exitronix emergency lighting against the weather and accidental or intentional abuse. Ideal for outdoor use and high traffic areas such as schools, gymnasiums, parking garages, warehouses, and public areas.

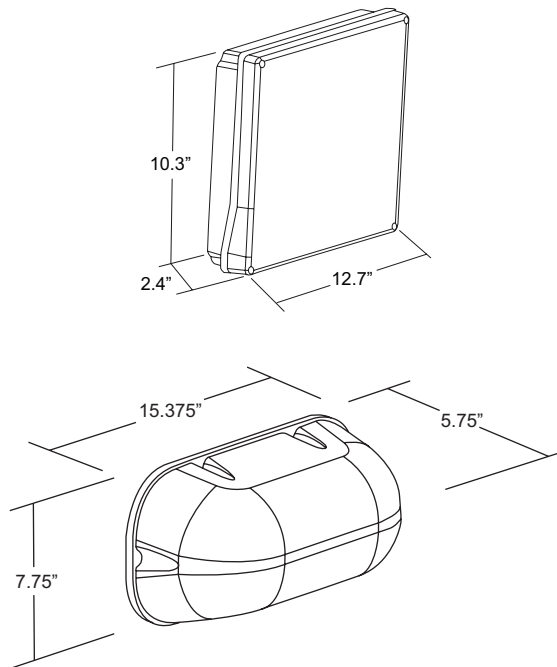
FEATURES

- Weatherproof, vandal resistant enclosure
- UL94-5VA flame retardant polycarbonate components
- Suitable for wet locations
- Standard backplate finish: White

Model: _____ Date: _____
 Accessories: _____
 Job Name: _____ Type: _____



DIMENSIONS



Series	WPV-1	WPV-2
ILX Series	X	
LL50H		X
LED-60		X
LED-90		X
Renegade Remote Head Ren3 and Ren3Maxx Only		X
RL52 / 2RL52 Remote Head Single Double Configurations		X

Specifications are subject to change without notice.
 Installation must be performed in accordance with
 Barron Lighting Group installation instructions.