

The Tempo LED Thermoplastic Combination Exit offers both style and affordability. The contemporary styling of the overall exit provides a unique way to light applications where traditional combo exits are not an option.

FEATURES

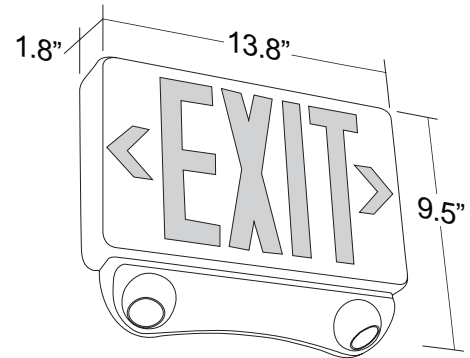
- Contemporary, low-profile, streamlined design
- Fully-adjustable, high-intensity LED lamp heads
- Total power consumption is only 2.8 watts
- Completely universal, includes 2nd exit face, backplate and canopy
- Rugged, injection-molded UL94 V-0 flame retardant, high-temperature thermoplastic housing
- External LED status indicator and test button
- Low voltage disconnect eliminates deep discharge
- Maintenance-free NiCad battery
- Universal J-Box mounting system - ceiling, wall or end mount
- UL listed 90 minute emergency run time, 24 hour recharge time
- Fully-illuminated 6" characters with 3/4" stroke
- Optional Guardian Self-Test/Self-Diagnostics (G2) available on select models
- Suitable for damp locations
- Field selectable directional chevrons included for all configurations
- 120/277V dual primary, 60Hz input
- Standard finishes: Black or white

WARRANTY

Any component that fails due to manufacturers defect is guaranteed for 2 years with a separate 2 year pro-rated warranty on the battery. The warranty does not cover physical damage, abuse or acts of God. See the full Exitronix warranty document for detailed information.

Model: _____ Date: _____
 Accessories: _____
 Job Name: _____ Type: _____

WHILE SUPPLIES LAST
(Limited Configurations Available, See Below)



ORDERING INFORMATION Example: TEM-WB-BL-G2

SKU	Description	Accessories ¹ (Field Installed)
TEM-WB-BL	LED Combo Exit Sign, Single Face, Red Letters, Black Enclosure	WG-1 = Wire Guard (Back Mount)
TEM-WB-BL-G2	LED Combo Exit Sign, Single Face, Red Letters, Black Enclosure, Self-Test/Diagnostics	WG-2 = Wire Guard (End Mount)
GTEM-WB-BL	LED Combo Exit Sign, Single Face, Green Letters, Black Enclosure	WG-3 = Wire Guard (Ceiling Mount)
GTEM-WB-BL-G2	LED Combo Exit Sign, Single Face, Green Letters, Black Enclosure, Self-Test/Diagnostics	XG-6 = Poly Guard (Back Mount)
GTEM-WB-WH	LED Combo Exit Sign, Single Face, Green Letters, White Enclosure	WVP-1 = Wet Location/Vandal Guard (Back Mount)

¹ Order as separate line item

CONSTRUCTION

The Tempo series is constructed of a precision-molded housing constructed of flame retardant, corrosion proof, UV stable thermoplastic. N.F.P.A. approved Field-selectable chevrons. Units resist denting, peeling, scratching and corrosion. Finish options include black or white.

ILLUMINATION

Illumination of the Tempo series is achieved with high output, long lasting red or green LEDs. An exclusive color-matched diffuser eliminates hot spots and striations, providing optimal light output. LEDs are a maintenance-free solution.

EMERGENCY LIGHTS

Contemporary light bar features ultra-bright white LEDs consuming 1W. Wattage is 3.5W when in emergency mode.

ELECTRICAL

Input

Dual-voltage input 120 or 277VAC @ 60Hz.

Sealed Nickel Cadmium Battery – NiCad

Extronix nickel cadmium batteries are maintenance-free with a life expectancy of 15 years. Nickel cadmium batteries offer high discharge rates and continue to perform in a vast temperature range from 32°F - 104°F (0°C - 40°C).

Emergency

The Tempo series exit will operate for a minimum of 90 minutes during a loss of power with a 24 hour maximum recharge time for the battery.

Brownout Circuit

Brownout circuit monitors the line voltage, as the line voltage sags and can no longer illuminate the exit sign to meet UL924 visibility test, the emergency circuit will turn on to supply a portion or all the power to illuminate the sign for 90 minutes until the line voltage is restored.

Low Voltage Disconnect

Low Voltage Disconnect (LVD) measures the battery terminal voltage. The LVD continuously monitors the battery terminal voltage and if it should fall below a preset voltage threshold, the LVD will disconnect the load. When the battery is recharging and voltage is raised above another preset voltage threshold, the load is automatically reconnected.

Solid-State Transfer

The circuit features solid-state switching for emergency lamps, eliminating concerns of damaged contact or mechanical failures associated with relays. The switching circuit detects a loss of line voltage and automatically switches to emergency mode.

Overload and Short-Circuit Protection

The overload monitoring system is a solid state circuit which monitors the lamp load and disconnects from the battery shall an overload or short circuit occur. The overload current protection eliminates the need for fuses or circuit breakers for the DC load.

Test Button

The test button is easy to locate and provides manual verification of the transfer circuit and emergency lamps.

INSTALLATION

Simple snap together universal design allows for faceplate and back plate to be fully interchangeable. Mounting canopy is supplied with all signs and snaps into enclosure with two positive locking tabs.

Damp Location Rated (Standard)

Damp location rating ensures the fixture is designed to operate safely in outdoor locations that are protected from the direct elements. Damp location rated fixtures may be installed indoors. Products with damp location ratings are not designed to withstand constant or significant moisture or direct contact with water or steam.

Guardian Self-Test/Self-Diagnostics (Option: G2)

The Guardian circuit continuously monitors the operating condition of the AC power, battery supply voltage, emergency lamp continuity and charging circuit.

The purpose of this option is to provide visual signaling in response to a fault at the EXIT sign battery and/or battery charger. If a failure is detected, visual status will occur immediately via the CHARGER LED and/or the BATTERY FAULT LED. The LEDs will stay illuminated until the fault is corrected.

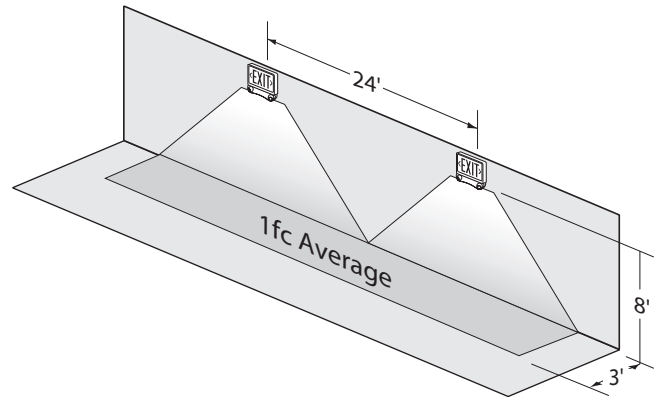
The Guardian circuit also monitors the transfer circuit as well as performing automatic code compliant testing. The Guardian circuit will perform a 30 second discharge and self-test every 28-30 days. A 90 minute discharge and self-test is performed every 6 months.

CONFORMANCE TO CODES & STANDARDS

The Tempo Series is UL listed and meets or exceeds the following: UL 924, NEC requirements and NFPA 101.

SAMPLE PHOTOMETRICS

Using multiple units mounted at a typical 8' delivers 24' center-to-center spacing on a 3' wide egress path.



Using multiple units mounted at a typical 8' delivers 20' center-to-center spacing on a 6' wide egress path.

