

Attractive and easy to install, the RMPC Series combines quality LED illumination with contemporary soft corner styling to complement any application. Universal mounting and included pictograms to fit any installation make this versatile sign perfect for any application.

Model: _____ Date: _____
Accessories: _____
Job Name: _____ Type: _____

FEATURES

- Rugged, injection-molded ABS thermoplastic housing in an easy to install, snap-together design
- Universal LED combination unit: includes 2 face plates, 1 back plate and 1 mounting canopy
- Universal pictograms include: 1 action, 2 directional action and 1 blank stenciled lens
- LED emergency lamps can swivel to a top or side position and are interchangeable to a front or back position to direct light where it is needed
- Easy to locate test button and charge rate/power indicator
- UL 94 5VA flame rated
- Maintenance-free 3.6V NiCad battery
- CSA listed with 90 minute emergency run time, 24 hour recharge time
- 120/347VAC, 60Hz, dual voltage operation
- Standard finish: White
- Suitable for damp locations
- Ceiling, wall or end mount



WARRANTY

Any component that fails due to manufacturers defect is guaranteed for 3 years with a separate 3 year pro-rated warranty on the battery. The warranty does not cover physical damage, abuse or instances of uncontrollable natural forces. See the full Exitronix warranty document for detailed information.



UNIVERSAL PICTOGRAMS

The RMPC provides two pictograms with no directional indicators, a pictogram with a left facing directional indicator and a pictogram with a right facing directional indicator, as well a one blank panel.



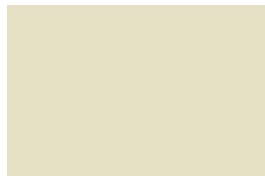
Arrow Left (1pc)



Arrow Right (1pc)



Without Arrow (2pcs)



Blank (1pc)

ORDERING INFORMATION Example: RMPC-1W-WH

Series	Lamps	Finish
RMPC	1W = 1 Watt LED x 2	WH = White

CONSTRUCTION

The RMPC is constructed of an injection molded ABS housing made of a UL 94 5VA flame retardant, corrosion proof and UV stable thermoplastic. Units resist denting, peeling, scratching and corrosion.

ILLUMINATION

Illumination of the RMPC is achieved with high output, long lasting white LEDs. The stenciled pictogram legend diffuses light and eliminates hot spots, providing optimal light output.

EMERGENCY LIGHTS

Fully adjustable emergency lights are made using 6000K ultra-bright white LEDs consuming 1 watt each. These emergency lights produce a combined 150 lumens and provide 16 foot on center spacing at an 8 foot mounting height.

ELECTRICAL

Input

Dual-voltage input 120/347VAC @ 60Hz.

Nickel Cadmium Battery - NiCad

Exitronix NiCad batteries are maintenance-free with a life expectancy of 15 years. NiCad batteries offer high discharge rates and continue to perform in a vast temperature range from 32°F to 104°F (0°C to 40°C).

Emergency

The RMPC will operate for a minimum of 90 minutes during loss of power with a 24 hour maximum recharge time for the battery.

Solid-State Transfer

The circuit features solid-state switching for emergency lamps, eliminating concerns of damaged contact or mechanical failures associated with relays. The switching circuit detects a loss of line voltage and automatically switches to emergency mode.

Test Button

The test button is easy to locate and provides manual verification of the transfer circuit and emergency lamps.

INSTALLATION

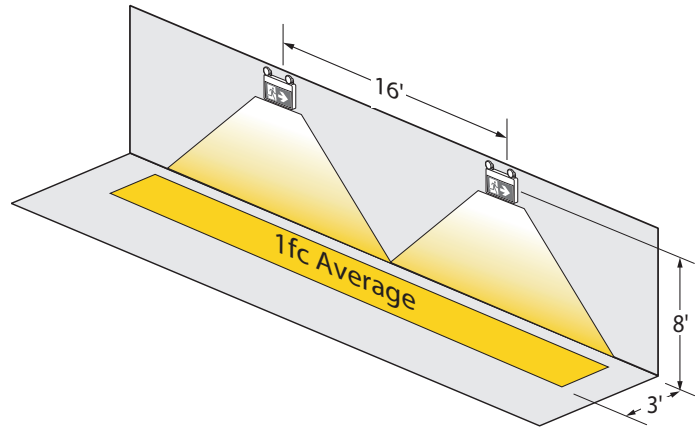
Simple snap-together universal design allows the faceplate and back plate to be fully interchangeable. Mounting canopy is supplied with all signs and snaps into the housing with four positive locking tabs.

CONFORMANCE TO CODES & STANDARDS

The RPMC is CSA listed and meets or exceeds the following: UL 924, NEC requirements and NFPA 101.

SAMPLE PHOTOMETRICS

Using multiple units mounted at a typical 8 foot height delivers 16 foot on center spacing with a 3 foot wide path of egress.



DIMENSIONS

