

RL1-WP Series lamp heads combine the efficiency and reliability of LED illumination with rugged construction suitable for wet locations.

FEATURES

- 3 - 12VDC input
- Uses only 1 watt per lamp head
- Each lamp head contains 15 long lasting, efficient, ultra-bright white LEDs
- Rugged, injection-molded UL94 ABS flame retardant, high-temperature thermoplastic housing
- Low cost - easy installation
- Single and double head configurations available
- UL listed for wet locations
- For use with standard 4" j-box (Provided by others)
- Standard finishes: Gray or Black

WARRANTY

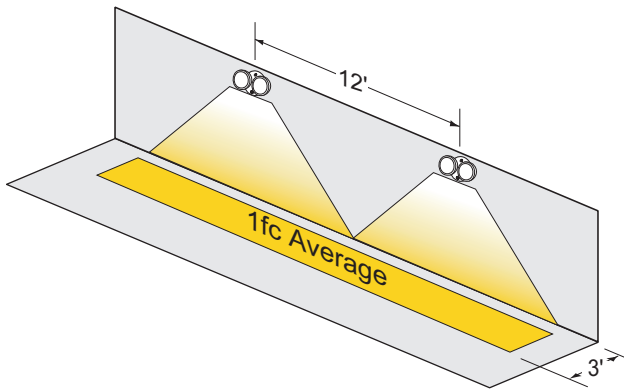
Any component that fails due to manufacturers defect is guaranteed for 3 years. The warranty does not cover physical damage, abuse or acts of God. See the full Exitronix warranty document for detailed information.

CONFORMANCE TO CODES & STANDARDS

The RL1-WP Series is UL listed and meets or exceeds the following: UL 924,

SAMPLE PHOTOMETRICS

Using multiple units mounted at a typical 7.5' foot height delivers 12 foot on center spacing with a 3 foot wide path of egress.



Model: _____ Date: _____
 Accessories: _____
 Job Name: _____ Type: _____



ORDERING INFORMATION Example: RL1-WP-GR

| Series ¹ | Finish |
|------------------------------|-----------|
| RL1-WP = Single Remote Lamp | GR = Gray |
| 2RL1-WP = Double Remote Lamp | BL= Black |

Note
¹ For use with Tempo Pro and VEX-WPC exits and combos