

The Renegade Series LED Remote Lamps utilize performance optics and provide superior spacing. These lamps are also compatible with any 6 or 12V battery system.

FEATURES

- Designed to operate from any 6V or 12V power source, no need to specify
- Available in two lamp housing sizes
- Each fully-adjustable, high-intensity lamp head contains 3 LEDs with individual, engineered refractors for maximum distribution total wattage 3.6W per head.
- Uniform lighting pattern provides optimal illumination over required path of egress, typical two lamp fixture provides 60 foot center-to-center spacing
- Rugged, injection-molded, high-temperature thermoplastic housing
- Available as remote or alternate head for traditional battery units
- Standard finish: Black or White

CONSTRUCTION

The Renegade LED housing is constructed of rugged, injection-molded, high-temperature thermoplastic housing in white.

ILLUMINATION

High-intensity lamp head contains 3 LEDs with individual, engineered refractors for maximum distribution.

ELECTRONICS

Compatible with any 6 volt or 12 volt battery system (sold separately), that provides a minimum of 3.6 watts per lamp. Utilizes 3 bright white LEDs with a total output of 250 lumens per lamp. (WL option 207 lumen)

CONFORMANCE TO CODES & STANDARDS

The Renegade Series meets or exceeds the following: UL 924, NEC requirements and NFPA 101.

ASSEMBLED IN THE U.S.A.

WARRANTY

Any component that fails due to manufacturers defect is guaranteed for 10 years. The warranty does not cover physical damage, abuse or acts of God. See the full Exitronix warranty document for detailed information.

Model: _____ Date: _____
 Accessories: _____
 Job Name: _____ Type: _____



ORDERING INFORMATION Example: REN2WH-WP

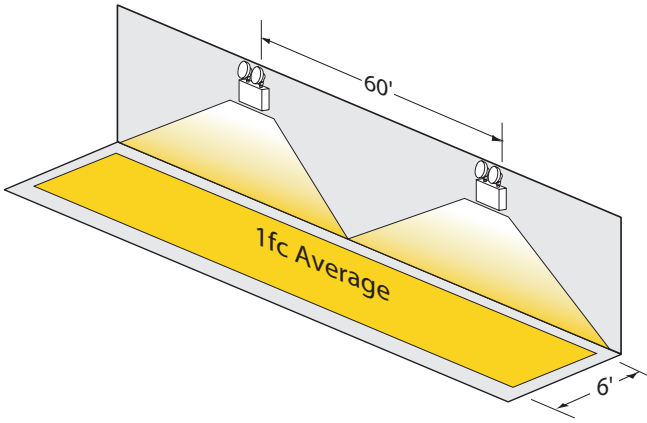
Series ¹	Finish	Option
REN1 = PAR18, 3.6W	WH = White Housing w/White Face	WP = Wet Location Rated
REN2 = PAR36, 3.6W	BB = Black Housing w/Black Face	WL = Wide Lens

Notes

¹ Mounting plate not included

SAMPLE PHOTOMETRICS

Two (2) Renegade LED lamps installed on a typical battery pack/charging unit. Using multiple units mounted at a typical 8.5' height delivers 60' center-to-center spacing on a 6' wide egress path.



DIMENSIONS

