

Designed to blend with any environment, this surface downlight provides an attractive, architectural, cylinder style for your emergency lighting needs. The high-performance LEDs make this an ideal, yet decorative, choice for any indoor installation in long corridors, hotels and shopping centers.

Model: \_\_\_\_\_ Date: \_\_\_\_\_  
Accessories: \_\_\_\_\_  
Job Name: \_\_\_\_\_ Type: \_\_\_\_\_

**FEATURES**

- Extruded aluminum housing
- 55' On-center spacing
- Architectural, cylinder style design, surface mount downlight
- 7W or 10.5W Luxeon LED options
- Pure white light output at 5600K
- Optical LED lens coupled with a prismatic polycarbonate lens for optimal light output and protection
- Mounts with standard backplate to wall or ceiling, direct to J-box. Pendant mount (PM6/PM12) also available
- Maintenance-free NiMH battery, standard
- Optional PathSafe security/night lighting (SEC) allows the fixture to be used as an emergency lighting and as security/night lighting fixture
- Optional Guardian (G2) Self-test/Self-diagnostics available
- Optional Damp Rating (DR) available
- Standard finish: White
- External LED status indicator and test button
- 120/277VAC, 50/60 Hz input
- Made in the U.S.A.
- ETL Listed for Damp Locations



**WARRANTY**

Any component that fails due to a manufacturing defect is guaranteed for five years with a separate five year pro-rated warranty on the battery. The warranty does not cover physical damage, abuse or instances of uncontrollable natural forces. See the full Exitronix warranty document for detailed information.



**ORDERING INFORMATION Example: NF1-WB-10L-WH-WM-G2**

Series	Power Source	LED Wattage	Finish	Mounting	Options (Factory Installed)
NF1	WB = With Battery	7L = (2) 3.5 Watt LEDs 10L = (3) 3.5 Watt LEDs	WH = White	JB = J-box Mount PM6 = 6" Pendant Mount Assembly PM12 = 12" Pendant Mount Assembly SM = Surface Mount (Top) WM = Wall Mount	DR = Damp Location Rated G2 <sup>1</sup> = Self-test/Self-diagnostics SEC120 = Security Lighting/Night Lighting 120VAC SEC277 = Security Lighting/Night Lighting 277VAC
<b>Notes</b>					
<sup>1</sup> SEC 120/277 is automatically included with this option					

**CONSTRUCTION**

The NF1 is constructed of a rugged, extruded aluminum housing and canopy plate. Heat- and impact-resistant prismatic polycarbonate lens resists discoloration.

**ILLUMINATION**

Fixtures are supplied with high-powered Luxeon LEDs offering 7 or 10.5 Watts of light output with a pure white color temperature of 5600K. Optical lenses on the LED module combined with the prismatic polycarbonate lens produce an optimized elongated pattern of light throughout the path of egress. The high-performance LEDs have an expected life over 50,000 hours with normal use.

Lamps are connected in parallel – if one lamp fails, the balance of the lamps will continue to operate.

**ELECTRICAL**

**Input**  
120/277VAC, 50/60Hz.

**Nickel Metal Hydride Battery – NiMH (Standard)**

Extronix 6 Volt nickel metal hydride batteries are maintenance-free and perform optimally in temperatures ranging from 0°C to 40°C (32° to 104°F).

**Emergency**

The NF1 will operate for a minimum of 90 minutes during a loss of power with a 24 hour minimum recharge time for the battery. The power supply delivers a regulated current and voltage to LED lamps to optimize lamp life. A momentary test switch and LED charge indicator are included.

**Brownout Circuit**

The brownout circuit monitors the line voltage. As the line voltage sags and can no longer provide adequate voltage, the emergency lighting circuit will turn on to supply power to the emergency lamps for 90 minutes until the line voltage is restored.

**Low Voltage Disconnect**

Low Voltage Disconnect (LVD) measures the battery terminal voltage and if it should fall below a preset voltage threshold, the LVD will disconnect the load. When the battery is recharging and voltage is raised above another preset threshold, the load is automatically reconnected.

**Solid-State Transfer**

The overload monitoring system in the DC circuit disconnects the lamp load from the battery should excessive wattage demands be made.

**Overload and Short Circuit Protection**

The overload monitoring system in the DC circuit disconnects the lamp load from the battery should excessive wattage demands be made.

**INSTALLATION**

This NF1 emergency unit mounts with a standard backplate to the wall or ceiling for traditional installations. Optional pendant mounting or mounting direct to J-box for exposed conduit applications such as unfinished ceilings are also available.

**DAMP LOCATION RATED (Option: DR)**

Damp Location Rated fixture that is normally or periodically subject to condensation of moisture in, on or adjacent to, and includes partially protected locations.

**MADE IN THE USA**

Made in the U.S.A. and is in full compliance with the American Recovery and Reinvestment Act of 2009 (ARRA) requirements and Buy American provisions.

**GUARDIAN SELF-TEST/SELF-DIAGNOSTICS (Option: G2)**

The Guardian circuit continuously monitors the operating condition of the AC power, battery supply voltage, emergency lamp continuity and charging circuit.

The purpose of this option is to provide visual signaling in response to a possible fault. If a failure is detected, visual status will occur immediately via the CHARGER LED and/or the BATTERY FAULT LED. The LEDs will stay illuminated until the fault is corrected.

The Guardian circuit also monitors the transfer circuit and performs automatic code compliant testing. The Guardian circuit will perform a 30 second discharge and self-test every 28-30 days. A 90 minute discharge and self-test is performed every 6 months.

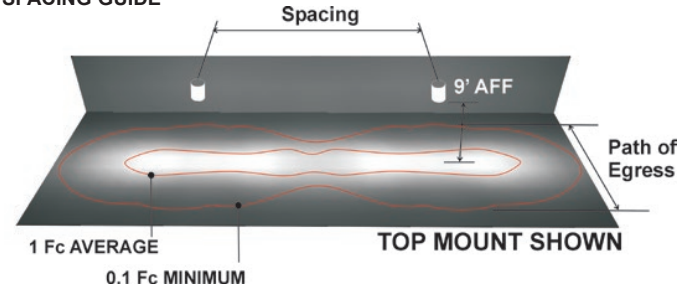
**PATHSAFE SECURITY LIGHTING/NIGHT LIGHT (Option: SEC)**

The PathSafe option allows the fixture to be used both as an emergency lighting fixture and security/night lighting fixture. Models with battery back-up and the PathSafe option will operate each LED at 2 Watts (SEC option) offering 50% output when in security lighting mode when connected to the active building AC supply and wired according to the installation instructions. The security lighting circuit is independent of emergency lighting and may be switched manually by exterior photocell (supplied by others) or other automatic means.

**CONFORMANCE TO CODES & STANDARDS**

The NF1 is ETL Listed for Damp Locations and meets or exceeds the following: UL 924, NEC requirements and NFPA 101.

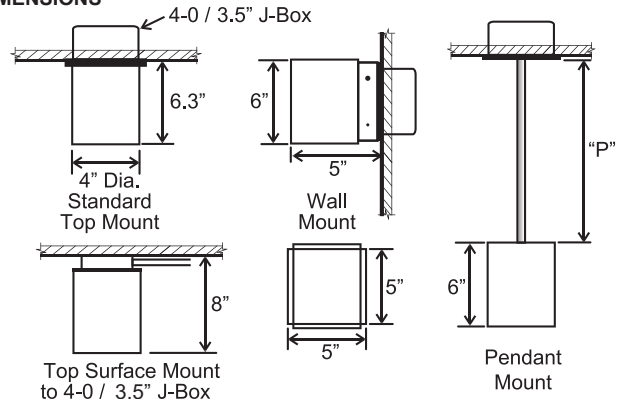
**SPACING GUIDE**



LED	Mounting Height	Spacing		
		Path of Egress Width		
		3'	6'	10'
7L	9'	50'	40'	25'
10L	9'	55'	50'	40'

Spacing guidelines are designed to achieve a 1 foot-candle average and a 0.1 foot-candle minimum with a 40:1 or less max/min ratio. Guidelines are intended to be used as a design aid and are not a guarantee of code compliance. Manufacturer assumes no responsibility for local requirements or specific project variables.

**DIMENSIONS**



Specifications are subject to change without notice. Installation must be performed in accordance with Barron Lighting Group installation instructions.