

LL50H-6/12 Emergency Lighting Units combine a low-profile, contemporary appearance with economy and dependability. Suitable for use in commercial and industrial applications where higher light levels are required or remote head capability is desired. Built for dependability, this economical unit offers fully adjustable designer lamp heads to complement any environment.

Model: _____ Date: _____
Accessories: _____
Job Name: _____ Type: _____

FEATURES

- Easy to install, snap together design
- UL 94 5VA flame retardant thermoplastic components
- Fully-adjustable, high-intensity 12 Watt MR16 halogen lamp - optional 25 Watt lamps available
- Available in 6 or 12 Volt 50 Wattage option, or 6 Volt 25 Wattage option
- AC lockout for ease of installation and installer protection
- Low voltage disconnect eliminates deep discharge
- Maintenance-free lead acid battery
- UL Listed 90 minute emergency run time, 24 hour recharge time
- Optional Guardian Self-Test/Self-Diagnostics (G2) available
- Standard White Finish; Optional Black
- 120/277V dual primary, 60Hz input
- Suitable for Damp Locations



WARRANTY

Any component that fails due to a manufacturing defect is guaranteed for three (3) years with a separate two (2) year pro-rated warranty on the battery. The warranty does not cover physical damage, abuse or instances of uncontrollable natural forces. See the full Extronix warranty document for detailed information.



ORDERING INFORMATION Example: LL50H-12-50-G2

Series	Voltage	Wattage	Finish	Options (Factory Installed)	Accessories ³ (Field Installed)
LL50H	6 = 6 Volts	25 ¹ = 25 Watts	(Blank) = White	25W ² = 25 Watt MR16 Lamps	WG-7 = Wire Guard (Back Mount)
	12 = 12 Volts	50 = 50 Watts	B = Black	G2 = Self-Test/Self-Diagnostics	XG-90 = Poly Guard (Back Mount)

Notes

- ¹ Available in 6 Volt option only
² Available in 50 Watts option only
³ Order as separate line item

CONSTRUCTION

The LL50H-6/12 is a precision molded unit with lamp housings constructed of UV stable UL 94 5VA flame retardant, corrosion-proof thermoplastic. Units resist denting, peeling, scratching and corrosion. Not recommended for outdoor use. Tool-less access provided for easy maintenance, universal J-box mounting pattern and keyhole slots for simple installation.

ILLUMINATION

Two (2) fully adjustable, attractive lamp heads allow for maximum light to be delivered to the path of egress. Emergency lights consist of 6 or 12 Volt, 12 Watt, MR-16 halogen lamps. Optional 25 Watt MR-16 lamps are also available.

ELECTRICAL

Input

Dual-voltage input 120 or 277VAC @ 60Hz.

Sealed Lead Acid Battery – SLA

Exitronix Sealed Lead Acid batteries are maintenance-free with a life expectancy of five (5) years. Sealed Lead Acid batteries provide a relatively large power-to-weight ratio making them ideal for emergency applications. Lead Acid batteries perform optimally in temperatures ranging from 59°F - 104°F (15°C - 40°C).

Emergency

The LL50H-6/12 series will operate for a minimum of 90 minutes during a loss of power with a 24 hour maximum recharge time for the battery.

Low Voltage Disconnect

Low Voltage Disconnect (LVD) measures the battery terminal voltage. The LVD continuously monitors the battery terminal voltage and if it should fall below a preset voltage threshold, the LVD will disconnect the load. When the battery is recharging and voltage is raised above another preset voltage threshold, the load is automatically reconnected.

Test Button

The test button is easy to locate and provides manual verification of the

transfer circuit and emergency lamps.

INSTALLATION

A universal mounting pattern and rear keyhole slots are provided for wall mounting.

Damp Location Rated

Damp Location Rated fixture that is normally or periodically subject to condensation of moisture in, on or adjacent to, and includes partially protected locations.

Guardian Self-Test/Self-Diagnostics (Option: G2)

The Guardian circuit continuously monitors the operating condition of the AC power, battery supply voltage, emergency lamp continuity and charging circuit.

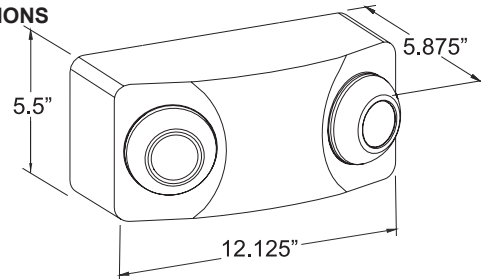
The purpose of this option is to provide visual signaling in response to a fault at the EXIT sign battery and/or battery charger. If a failure is detected, visual status will occur immediately via the CHARGER LED and/or the BATTERY FAULT LED. The LEDs will stay illuminated until the fault is corrected.

The Guardian circuit also monitors the transfer circuit as well as performing automatic code compliant testing. The Guardian circuit will perform a 30 second discharge and self-test every 28-30 days. A 90 minute discharge and self-test is performed every six (6) months.

CONFORMANCE TO CODES & STANDARDS

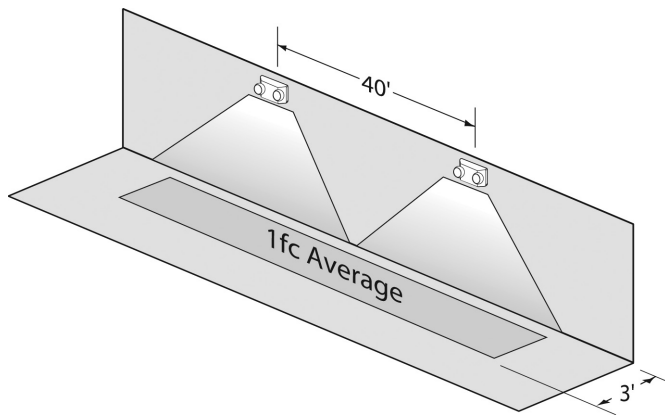
The LL50H-6/12 Series is UL Listed and meets or exceeds the following: UL 924, NEC requirements and NFPA 101.

DIMENSIONS

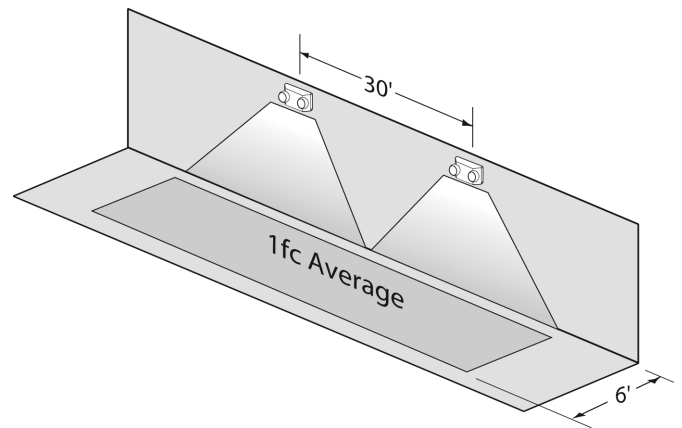


SAMPLE PHOTOMETRICS

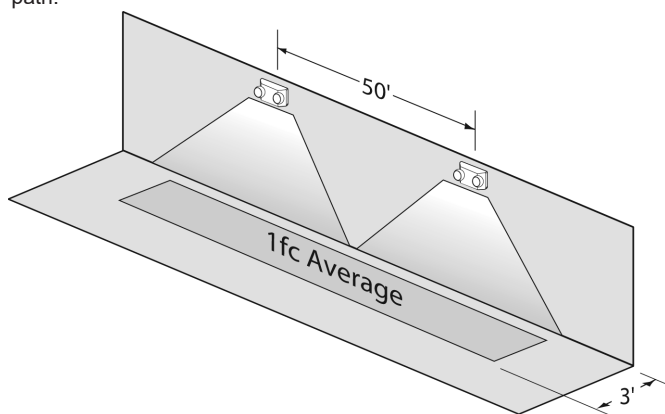
Using multiple units with 12 Watt MR16 lamps mounted at a typical 7.5' delivers 40' center-to-center spacing on a 3' wide egress path.



Using multiple units with 12 Watt MR16 lamps mounted at a typical 7.5' delivers 30' center-to-center spacing on a 6' wide egress path.



Using multiple units with optional 25 Watt MR16 lamps mounted at a typical 7.5' delivers 50' center-to-center spacing on a 3' wide egress path.



Using multiple units with optional 25 Watt MR16 lamps mounted at a typical 7.5' delivers 40' center-to-center spacing on a 6' wide egress path.

