

The LEM54-N4 thermoplastic emergency lighting unit combines a low-profile, contemporary appearance with economy and dependability. Constructed of an injection-molded, V-0 flame rated, high-impact, UV stabilized thermoplastic housing, it is ideal for wet locations and is resistant to corrosive atmospheres and non-hazardous dust environments. It's compact, streamlined design features fully adjustable LED heads to complement any environment and will provide years of reliable service.

FEATURES

- Compact, streamlined design
- Easy to install, snap together design
- UL 94 V-0 flame retardant thermoplastic components
- Fully-adjustable, high-intensity LED lamps
- Up to 18' on center spacing
- AC lockout for ease of installation and installer protection
- Maintenance-free NiCad battery
- UL listed 90 minute emergency run time, 24 hour recharge time
- Ceiling or wall mount
- Standard finishes: White or Black
- 120/277V dual primary, 60Hz input
- Universal J-box pattern knock-out
- Waterproof shield makes the unit suitable for wet locations

WARRANTY

Any component that fails due to manufacturers defect is guaranteed for 5 years with a separate 5 year pro-rated warranty on the battery. The warranty does not cover physical damage, abuse or instances of uncontrollable natural forces. See the full Exitronix warranty document for detailed information.

Model: _____ Date: _____
 Accessories: _____
 Job Name: _____ Type: _____



ORDERING INFORMATION Example: LEM54-N4-BL

| Model | Description |
|-------------|--|
| LEM54-N4-WH | Thermoplastic High Impact Emergency Light, (2) LED Lamps, 3.6V NiCad Battery, White Finish, Wet Location Rated |
| LEM54-N4-BL | Thermoplastic High Impact Emergency Light, (2) LED Lamps, 3.6V NiCad Battery, Black Finish, Wet Location Rated |

| | |
|--|--|
| Notes: | Accessories¹ (Field Installed) |
| ¹ Order as separate line item | WG-90 = Wire Guard (Back Mount) |

CONSTRUCTION

Precision molded unit and lamp housings constructed of UV stable UL 94 V-0 flame retardant, corrosion proof thermoplastic. Units resist denting, peeling, scratching and corrosion.

ILLUMINATION

The emergency unit consists of two fully adjustable LED lamps with a beam angle of 36 degrees that allows for maximum light to be delivered to the path of egress.

ELECTRICAL

Input

Dual-voltage input 120 or 277VAC @ 60Hz.

NiCad Battery

Exitronix NiCad batteries are maintenance-free with a life expectancy of 15 years. NiCad batteries perform optimally in temperatures ranging from 32°F to 104°F (0°C to 40°C).

Emergency

The LEM54-N4 will operate for a minimum of 90 minutes during a loss of power with a 24 hour maximum recharge time for the battery.

Solid-State Transfer

The switching circuit is designed to detect a loss of AC power and automatically energizes the lamps. Upon restoration of the AC voltage, the emergency lamps will switch off and the charger will automatically recharge the battery.

Test Button

Our easily located test button allows for manual verification of proper operation of the transfer circuit and emergency lamps.

INSTALLATION

A universal mounting pattern for 3" and 4" j-box and rear keyhole slots are provided for wall mounting.

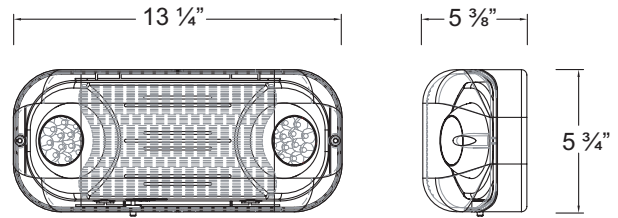
Wet Location Rated

Wet location rating ensures the fixture is designed to operate safely in indoor and outdoor locations that are subjected to elements such as damp, dust, wet and hose down areas.

CONFORMANCE TO CODES & STANDARDS

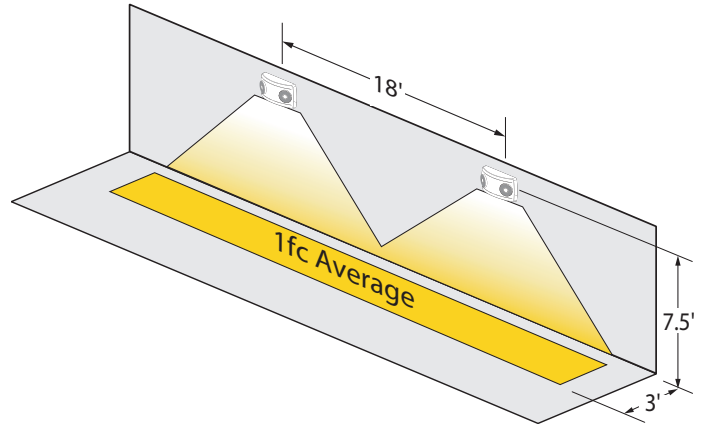
The LEM54-N4 Series is UL listed and meets or exceeds the following: UL 924, NEC requirements, NFPA 70 and NFPA 101.

DIMENSIONS



SAMPLE PHOTOMETRICS

Using multiple LEM54-N4 units mounted at a typical 7.5 foot height delivers 18 foot on center spacing with a 3 foot wide path of egress.



Using multiple LEM54-N4 units mounted at a typical 7.5 foot height delivers 12 foot on center spacing with a 6 foot wide path of egress.

