

Model Number: Accessories: Job:	Approvals:  Type:
---------------------------------------	-------------------------

**VANDAL RESISTANT WIRE GUARDS**

Guard your Exitronix emergency lighting against accidental or intentional abuse. Ideal for high traffic areas such as schools, gymnasiums, parking garages, warehouses, and public areas.

**FEATURES**

- Adjustable mounting tabs
- Durable wire-mesh construction
- Corrosion resistant
- Protects emergency lighting equipment
- Available in wall, ceiling, or end-mount configurations
- Many styles to fit a wide variety of Exitronix emergency lighting equipment



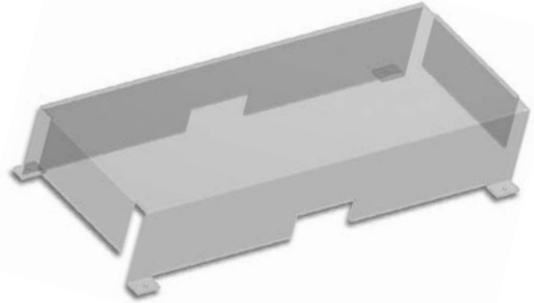
Wire Guard Part No.	WG-1	WG-2	WG-3	WG-5	WG-6	WG-7	WG-90	WG-A
Series	BACK MOUNT 15"x12.75"x4"	END MOUNT 16.25"x10.5"x6.5"	CEILING MOUNT 14.75"x12"x6.5"	BACK MOUNT 30"x14"x6.5"	BACK MOUNT 17"x13.5"x5"	BACK MOUNT 32"x16"x8"	BACK MOUNT 15.25"x11"x6"	BACK MOUNT 28.5"x24.75"x10"
400/400D/400U/450	X	X	X					
500/600/700	X	X	X					
500/600/700 WITH EL OPTION					TOP			
CLED/400C	X	X	X		SIDE			
ILX/VEX/VEX-S	X	X	X					
VEX-S Combo					X			
VEX-EL90/VLED-EL90				X				
VRC			X	X				
VRC Combo				TOP				
				SIDE				
EXI-GLOW/PXP	X	X	X					
RM							X	
CR						X		
LL30							X	
LL50H	X							
LL50H-N4						X		
LL50H-6/12						X		
LED-60	X							
LED-60/LL70/LL90/LED-90							X	
LL90HW								X
LL6-12 18-54W					X			
LL6/12 72-150W						X		
LRP						X		
RP					X			
RS								X
LED-RX				X				
WNX 27-72W						X		
WNX 100-360W								X
CSX						X		
CSX-Combo						X		
400U-8/VEX-8								
VEXC-8						X		
CT400				X				
CT700				X				

Model Number:	Approvals:
Accessories:	
Job:	Type:

**VANDAL RESISTANT POLYCARBONATE GUARDS**

Guard your Exitronix emergency lighting against accidental or intentional abuse. Ideal for high traffic areas such as schools, gymnasiums, parking garages, warehouses, and public areas.

- Impact-resistant polycarbonate construction
- Corrosion resistant
- Protects emergency lighting equipment
- Available in wall, ceiling, or end-mount configurations
- Many styles to fit a wide variety of Exitronix emergency lighting equipment



Wire Guard Part No.	XG-1	XG-3	XG-6	XG-90	XG-EL90	PS
Series	BACK MOUNT 14.25"x9.25"-3.5"	CEILING MOUNT 14"x11.25"x5.25"	BACK MOUNT 18.25"x14"x6.5"	BACK MOUNT 18.1"x7.75"x7.75"	BACK MOUNT 30.25"x15.25"x6.5"	BACK MOUNT 19.4"x12.3"x9"
400/400D/400U/450	X	X				
500/600/700	X	X				
500/600/700 WITH EL OPTION			TOP		SIDE	
CLED/400C			X			
ILX/VEX/VEX-S	X	X				
VEX-S Combo			X			
VEX-EL90/VLED-EL90					X	
VRC			X			
VRC Combo			X			
EXI-GLOW/PXP			X			
RM						X
CR					X	
LL30				X		
LL50H				X		
LL50H-N4				X		
LL50H-6/12				X		
LL60	X					
LL70/LL90/LED-90				X		
LL90HW						X
LL6-12 18-54W			X			
LL6/12 72-150W					X	
LRP			X			
RP				X		
RS						X
LED-RX						X
WNX 27-72W					X	
WNX 100-360W						
CSX			X			
CSX-Combo			X			
400U-8/VEX-8			X			
VEXC-8						
CT400					X	
CT700					X	