

LED Illuminated Directional Signage informs, directs, and maintains traffic moving smoothly in congested areas, effectively guiding customers to the fastest service available.

State-of-the-art circuitry and long-life, ultra-bright LEDs combine dependable, maintenance-free operation and superior illumination even in direct sunlight.

Optional 120 VAC illuminated control switches provide visual operating status for those areas open for business.

The 82-4 Series is ideal for many applications including:

- Bank Drive-Thrus
- Parking Facilities
- Airports
- Hospitals
- Rental Car Agencies
- Highway Toll Lanes
- Loading Docks
- Sports Arenas

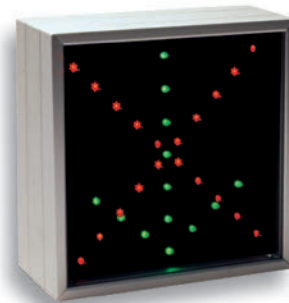
FEATURES

- Suitable for outdoor locations
- High intensity LEDs provide excellent visibility even in direct sunlight
- Optional "Double-Row" of LED's for maximum visibility
- Installs in minutes with only a screwdriver
- Standard 120 VAC; Class 2 output
- High grade aluminum frame
- Impact-resistant, tinted polycarbonate face
- Uniform illumination from all angles
- Optional illuminated operator control switches
- Assembled in the U.S.A.

WARRANTY

Any component that fails due to manufacturers defect is guaranteed for 5 years. The warranty does not cover physical damage, abuse or acts of God. See the full Exitronix warranty document for detailed information.

Model: _____ Date: _____
 Accessories: _____
 Job Name: _____ Type: _____



ORDERING INFORMATION Example: 82-4-3-04-1

Series	Size	Finish ¹	Legend	Options (Factory Installed)	Accessories ³ (Field Installed)
82	4 = 14" x 14"	1 = Bronze	04 = X and ↓	0 = None	SW1 = 1 Gang Switch
		2 ² = Black	06 = X and ↓Double Row	1 = Sun Visor	SW2 = 2 Gang Switch
		3 ² = Satin Aluminum		2 = Recessed Mount	SW3 = 3 Gang Switch
Notes				3 = Canopy Kit	SW4 = 4 Gang Switch
¹ Custom finishes available, consult factory					SW5 = 5 Gang Switch
² Black and Satin Aluminum are optional finishes, available at an additional cost					SW6 = 6 Gang Switch
³ Order as separate line item					

CONSTRUCTION

Designed for long life and durability in exposed elements.
Housing: Constructed of weather and corrosion resistant .075 aluminum, secured with rust resistant zinc fasteners.

Face Plate: Constructed of .045 aluminum, protected by an impact-resistant, polycarbonate cover.

Back Plate: Constructed of .075 aluminum. 0.875" diameter knock-out provided.

FINISH

All finishes are weather-resistant. Architect's Bronze durable powder coat is standard. Optional black satin aluminum finishes are also available to enhance the appearance and blend aesthetically with any decor. Other colors are available; consult factory for details.

ILLUMINATION

Illumination is accomplished by using long life, ultra-bright LEDs. Our direct view design provides a consistently bright, uniform illumination from all angles.

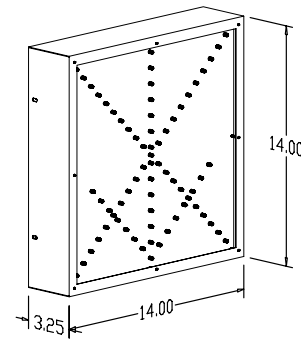
INSTALLATION

All units have been designed for easy installation, allowing for ceiling, end and back mounting, or to a junction box with the optional mounting canopy kit. Recessed mounting is also available with the optional mounting kit.

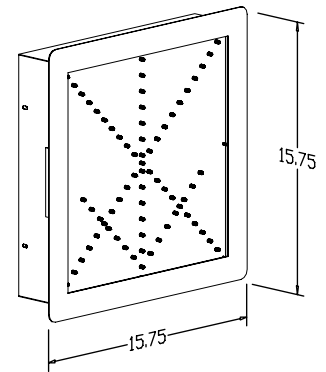
ELECTRONICS

State-of-the-art, solid state design operates on less than 10 watts. Regulated, temperature compensated circuitry maintains an even illumination during voltage fluctuations. The circuitry also includes a built-in current limiting protective device against overload conditions. Operates on 120 VAC.

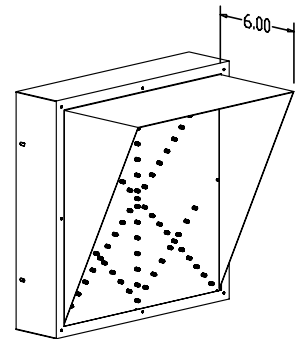
DIMENSIONS



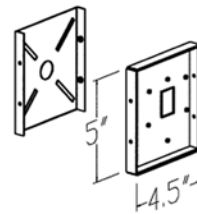
82-3
Enclosure



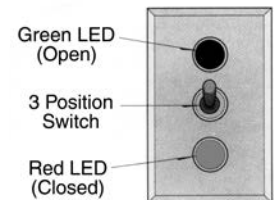
82-3
Recessed Mount



82-3
Surface Mount
w/Sun Visor



Optional Canopy Kit



Optional 120VAC
Switch Assembly