

LED Illuminated Directional Signage informs, directs, and maintains traffic moving smoothly in congested areas, effectively guiding customers to the fastest service available.

State-of-the-art circuitry and long-life, ultra-bright LEDs combine dependable, maintenance-free operation and superior illumination even in direct sunlight.

Optional 120 VAC illuminated control switches provide visual operating status for those areas open for business.

The 82 Series is ideal for many applications including:

- Bank Drive-Thrus
- Parking Facilities
- Airports
- Hospitals
- Rental Car Agencies
- Highway Toll Lanes
- Loading Docks
- Sports Arenas

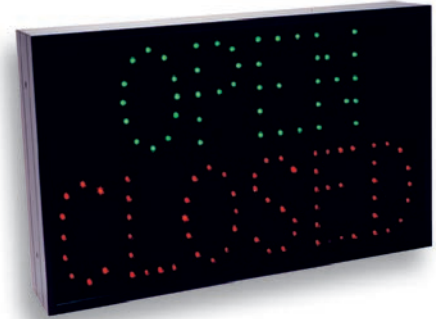
**FEATURES**

- Suitable for outdoor locations
- High intensity LEDs offer excellent visibility, even in direct sunlight
- Energy consumption is less than 10 watts
- Maintenance free LEDs offer up to 100,000 hours of lamp life
- Installs in minutes with only a screwdriver
- Standard 120 VAC; Class 2 output
- High grade weather resistant aluminum frame
- Impact resistant, tinted polycarbonate cover
- Uniform illumination from all angles
- Optional illuminated operator control switches
- Optional mounting hardware for surface mount applications
- Assembled in the U.S.A.

**WARRANTY**

Any component that fails due to manufacturers defect is guaranteed for 5 years. The warranty does not cover physical damage, abuse or acts of God. See the full Exitronix warranty document for detailed information.

Model: \_\_\_\_\_ Date: \_\_\_\_\_  
 Accessories: \_\_\_\_\_  
 Job Name: \_\_\_\_\_ Type: \_\_\_\_\_



**ORDERING INFORMATION Example: 82-2-3-01-1**

Series	Size	Finish <sup>1</sup>	Legend	Options (Factory Installed)	Accessories <sup>3</sup> (Field Installed)
82	2 = 19.5" x 11.6"	1 = Bronze	01 = Open/Closed	0 = None	SW1 = 1 Gang Switch
		2 <sup>2</sup> = Black	02 = ATM Lane	1 = Sun Visor	SW2 = 2 Gang Switch
		3 <sup>2</sup> = Satin Aluminum	03 = ATM Only	2 = Recessed Mount	SW3 = 3 Gang Switch
<b>Notes</b>				3 = Canopy Kit	SW4 = 4 Gang Switch
<sup>1</sup> Custom finishes available, consult factory					SW5 = 5 Gang Switch
<sup>2</sup> Black and Satin Aluminum are optional finishes, available at an additional cost					SW6 = 6 Gang Switch
<sup>3</sup> Order as separate line item					

## CONSTRUCTION

Designed for long life and durability in exposed elements.  
**Housing:** Constructed of weather and corrosion resistant .075 aluminum, secured with rust resistant zinc fasteners.

**Face Plate:** Constructed of .045 aluminum, protected by an impact-resistant, polycarbonate cover.

**Back Plate:** Constructed of .075 aluminum. 0.875" diameter knock-out provided.

## FINISH

All finishes are weather-resistant. Architect's Bronze durable powder coat is standard. Optional black satin aluminum finishes are also available to enhance the appearance and blend aesthetically with any decor. Other colors are available; consult factory for details.

## ILLUMINATION

Illumination is accomplished by using long life, ultra-bright LEDs. Our direct view design provides a consistently bright, uniform illumination from all angles.

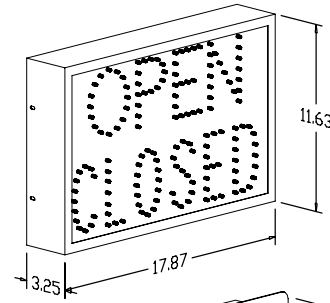
## INSTALLATION

All units have been designed for easy installation, allowing for ceiling, end and back mounting, or to a junction box with the optional mounting canopy kit. Recessed mounting is also available with the optional mounting kit.

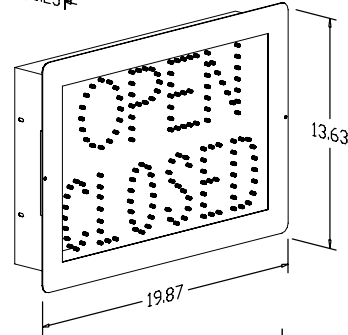
## ELECTRONICS

State-of-the-art, solid state design operates on less than 10 watts. Regulated, temperature compensated circuitry maintains an even illumination during voltage fluctuations. The circuitry also includes a built-in current limiting protective device against overload conditions. Operates on 120 VAC.

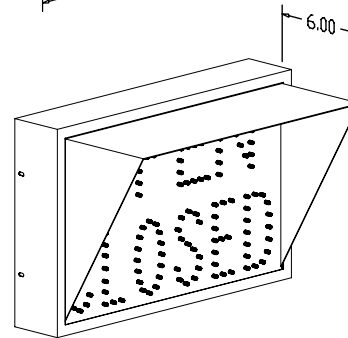
## DIMENSIONS



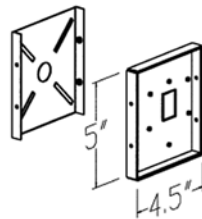
82-2  
Enclosure



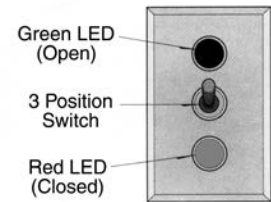
82-2  
Recessed Mount



82-2  
Surface Mount  
w/Sun Visor



Optional Canopy Kit



Optional 120VAC  
Switch Assembly