

Space-saving, overlay legend allows for "open" or "closed" to be switchable in a single, compact enclosure.

LED Illuminated Directional Signage informs, directs, and maintains traffic moving smoothly in congested areas, effectively guiding customers to the fastest service available.

State-of-the-art circuitry and long-life, ultra-bright LEDs combine dependable, maintenance-free operation and superior illumination even in direct sunlight.

Optional 120 VAC illuminated control switches provide visual operating status for those areas open for business.

The 82-5 Series is ideal for many applications including:

- Bank Drive-Thrus
- Rental Car Agencies
- Parking Facilities
- Highway Toll Lanes
- Airports
- Loading Docks
- Hospitals
- Sports Arenas

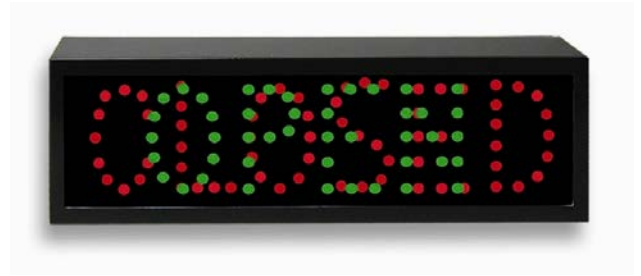
**FEATURES**

- Suitable for outdoor locations
- High intensity LEDs provide excellent visibility even in direct sunlight
- Installs in minutes with only a screwdriver
- Standard 120 VAC
- High grade weather resistant aluminum frame
- Impact-resistant, tinted polycarbonate face
- Uniform illumination from all angles
- Optional illuminated operator control switches
- Assembled in the U.S.A.

**WARRANTY**

Any component that fails due to manufacturers defect is guaranteed for 5 years. The warranty does not cover physical damage, abuse or acts of God. See the full Exitronix warranty document for detailed information.

Model: \_\_\_\_\_ Date: \_\_\_\_\_  
 Accessories: \_\_\_\_\_  
 Job Name: \_\_\_\_\_ Type: \_\_\_\_\_



**ORDERING INFORMATION Example: 82-5-3-01-1**

Series	Size	Finish <sup>1</sup>	Legend	Options (Factory Installed)	Accessories <sup>3</sup> (Field Installed)
82	5 = 19.5" x 6.5"	1 = Bronze	01 = Open/Closed	0 = None	SW1 = 1 Gang Switch
		2 <sup>2</sup> = Black	05 = ATM Teller	1 = Sun Visor	SW2 = 2 Gang Switch
		3 <sup>2</sup> = Satin Aluminum	14 = ATM	2 = Recessed Mount	SW3 = 3 Gang Switch
<b>Notes</b>			16 = Open	3 = Canopy Kit	SW4 = 4 Gang Switch
					SW5 = 5 Gang Switch
					SW6 = 6 Gang Switch

<sup>1</sup> Custom finishes available, consult factory

<sup>2</sup> Black and Satin Aluminum are optional finishes, available at an additional cost

<sup>3</sup> Order as separate line item

## CONSTRUCTION

Designed for long life and durability in exposed elements.  
**Housing:** Constructed of weather and corrosion resistant .075 aluminum, secured with rust resistant zinc fasteners.

**Face Plate:** Constructed of .045 aluminum, protected by an impact-resistant, polycarbonate cover.

**Back Plate:** Constructed of .075 aluminum. 0.875" diameter knock-out provided.

## FINISH

All finishes are weather-resistant. Architect's Bronze durable powder coat is standard. Optional black satin aluminum finishes are also available to enhance the appearance and blend aesthetically with any decor. Other colors are available; consult factory for details.

## ILLUMINATION

Illumination is accomplished by using long life, ultra-bright LEDs. Our direct view design provides a consistently bright, uniform illumination from all angles.

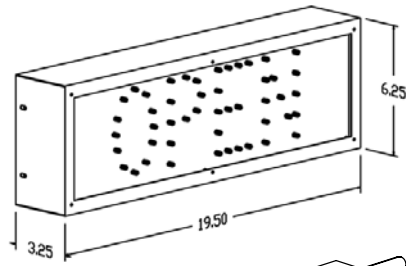
## INSTALLATION

All units have been designed for easy installation, allowing for ceiling, end and back mounting, or to a junction box with the optional mounting canopy kit. Recessed mounting is also available with the optional mounting kit.

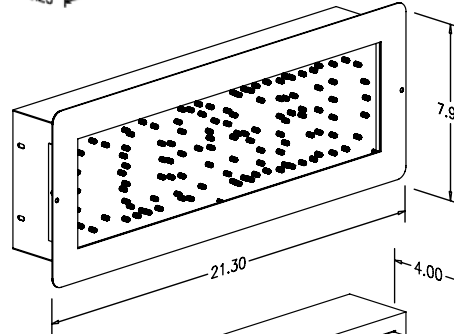
## ELECTRONICS

State-of-the-art, solid state design operates on less than 10 watts. Regulated, temperature compensated circuitry maintains an even illumination during voltage fluctuations. The circuitry also includes a built-in current limiting protective device against overload conditions. Operates on 120 VAC.

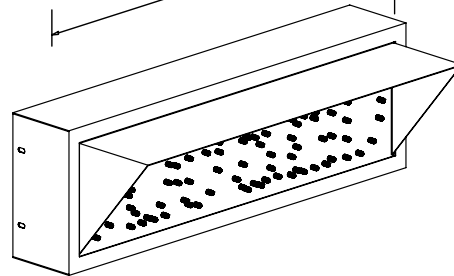
## DIMENSIONS



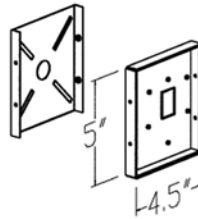
82-5  
Enclosure



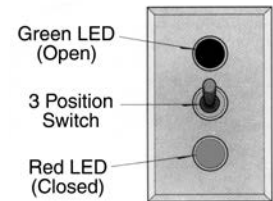
82-5  
Recessed Mount



82-5  
Surface Mount  
W/Sun Visor



Optional Canopy Kit



Optional 120VAC  
Switch Assembly