

MRW Series

Mini Polycarbonate Refractor LED Wallpack

Delivers over 1,800lm at 16w

DLC Qualified Product

Universal 120-277V Photocell



MRW Series

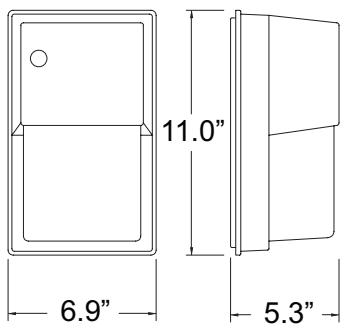
Mini Polycarbonate Refractor LED Wallpack

The MRW mini refractor wallpack features a durable, vandal-resistant, injection molded bronze polycarbonate enclosure combined with a high performance LED light engine to make it an excellent product where energy savings, low maintenance and rugged construction are needed. The MRW is fully sealed and gasketed, and is UL Listed for Wet Locations. The 16 watt LED light engine delivers 1,814 lumens with a uniform light distribution.

Key Features

- 16w LED wallpack delivers over 1,800 lumens
- 84% energy savings over equivalent 100w HID
- 4000K CCT, CRI \geq 74
- Universal photocell (120-277VAC)
- Vandal-resistant polycarbonate housing
- Die-cast aluminum baseplate
- UV-stabilized polycarbonate prismatic refractor
- 0-10V dimmable driver
- Operating temperature: -20°C to 40°C (-4°F to 104°F)
- 60,000 hrs L70 at 40°C
- Mounts to 3" or 4" j-box or 1/2" conduit
- DLC Qualified Product

Dimensions



Weight: 5.2 lbs.



Applications

The MRW Series applications include schools, office complexes, light commercial or retail buildings, apartments and recreational facilities.

Specs at a Glance

Wattage (w)	16
Lumens (lm)	1,814
Efficacy (LPW)	111
Equivalency	100w HID
CCT	4000K
CRI	\geq 74
Input Voltage	120 - 277VAC, 50/60Hz
Warranty	5 Years
Certifications	UL/cUL listed for wet locations, DLC
Ambient Temp	-20°C to 40°C (-4°F to 104°F)

Ordering Information

Model	Description
MRW-VS-4K	LED Wallpack, Mini polycarbonate refractor, 16w, 120-277VAC, 4000K CCT, Universal photocell, Bronze finish

Please visit our website for the latest information.

10840217 05/17



BARRON
lighting group
800.533.3948 • www.barronltg.com