

LPC1 Series

8" Low Profile LED Canopy

Compact | Low Profile

1,905lm | 20w | Low Glare Optic

DLC Qualified Product Maximizes Utility Rebates



LPC1 Series

8" Low Profile LED Canopy

Key Features

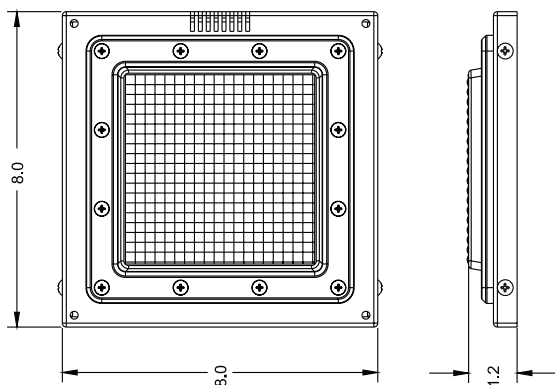
- 8" square canopy with precision die-formed aluminum housing
- Slim 1.2" profile
- 4000K CCT
- Type V, low glare optic
- 120VAC only
- DesignLights Consortium® (DLC) qualified
- Lumen maintenance L70 at 50,000 hours
- Base plate easily attaches to a 3" or 4" J-Box
- 12.5" and 16" square transition plates available



Applications

The LPC1 Series applications include libraries, pharmacy drive through, parking garages, schools, truck stop sites, and other applications that utilize a traditional HID or fluorescent canopy with heights up to 20'.

Dimensions



Specs at a Glance	
Wattage (w)	20
Lumens (lm)	1,905
Efficacy (LPW)	94
Equivalency	70-100w MH
CCT	4000K
CRI	73
Optics	Type V (Low-Glare)
Input Voltage	120VAC
Warranty	5 Years
Certifications	ETL Listed for Wet Locations, DLC
Ambient Temp	-40°C to 40°C (-40°F to 104°F)

Ordering Information

Model	Description	Stock	Accessories ¹ (Field Installed)
LPC1-LG-V1-4K	Low-glare, 120VAC, 4000K CCT	✓	MC-TR = 12.5" Transition Plate MC-TR16 = 16" Transition Plate

Notes

¹ Order as separate line item. Shipped in separate box for final installation in field.

Please visit our website for the latest information.

10840195 02/17

