

SPECIFICATIONS

Construction:

The Trace-lite TL706-CF Series features a durable, extruded aluminum enclosure available in white, black or bronze powder coated finish. Enclosure is fully sealed and gasketed, and is Wet Location Listed for outdoor use. Enclosure and hardware are corrosion resistant. The TL706-CF is available with an adjustable specular aluminum reflector or internal aluminum louvres. The lamps and reflectors are protected by a high-impact, UV stabilized polycarbonate lens.

Lamps & Ballasts

Compact Fluorescent: Lamps from 26 to 57 watts, utilizing either a GX23-2 or GX24-q3 base with a magnetic ballast rated for a minimum operating temperature of -4°C (25°F) or electronic programmed start ballast rated for a minimum operating temperature of -20°C (-4°F).

For pathway illumination, it is recommended to use 42 watt or 57 watt lamps.

Installation:

The Trace-lite TL706-CF Series features a sturdy base plate anchored with three 8" J-bolts, bollard body is anchored to base using tamper resistant hardware.

ARRA - Buy America (Option: USA):

Fixture series may be built to comply with the American Recovery and Reinvestment Act of 2009 (ARRA) requirements and Buy American provisions - call factory for details.

Listing:

The TL706-CF is CSA listed for wet locations.

Warranty:

Any housing component that fails due to manufacturer's defect is guaranteed for two years from time of shipment. Ballasts, Capacitors, and Igniters are warranted for one year from time of shipment. Warranty does not apply to damages caused by improper installation, abuse, fire or acts of God. Lamp is not covered by manufacturer's warranty.

Model: _____ Date: _____
 Accessories: _____
 Job Name: _____ Type: _____



ORDERING INFORMATION

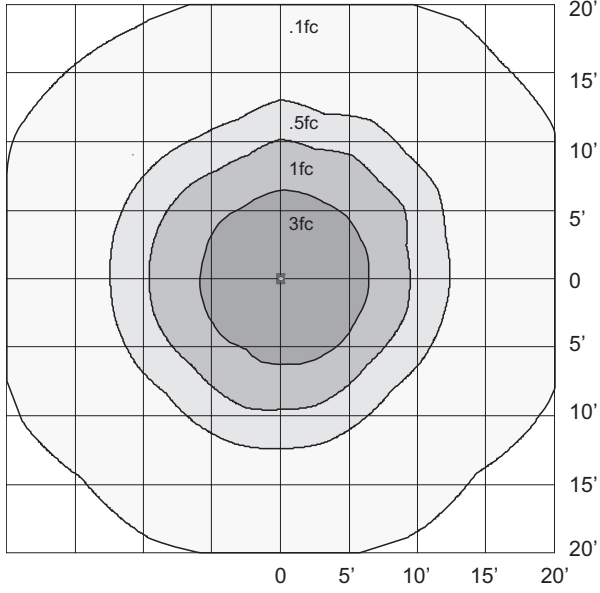
Example: TL706-CF-42-IL-120/277-USA

Series	Lamp Type	Lamp Wattage ¹	Reflector	Input Voltage	Finish
TL706	CF = Compact Fluorescent	26 = 26 Watts	IL = Internal Louvers	120/277 = 120/277VAC	Blank = Bronze
		32 = 32 Watts	IR = Adjustable Reflector		WH = White
		42 = 42 Watts			BL = Black
		57 = 57 Watts			
					Options (Factory Installed)
					SZXXX ² = Single Line Side Fuse (120 or 277VAC)
					USA = Meets Buy America Requirements

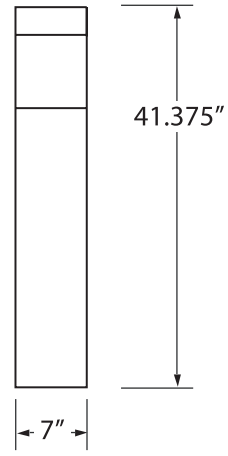
Accessories³ (Field Installed)	
Notes	MK700-4 = Mountng Kit, Brkt & 4" Anchor Bolts
¹ 42 watt and 57 watt lamps are recommended for pathway illumination	MK700-8 = Replacement Mounting Kit, Brkt & 8" Anchor Bolts (Inc. Standard)
² Specify voltage	MK700-12= Mounting Kit, Brkt & 12" Anchor Bolts
³ Order as separate line item	MK700-15= Mounting Kit, Brkt & 15" Anchor Bolts
	RL700 = Replacement Polycarbonate Lens

SAMPLE PHOTOMETRICS

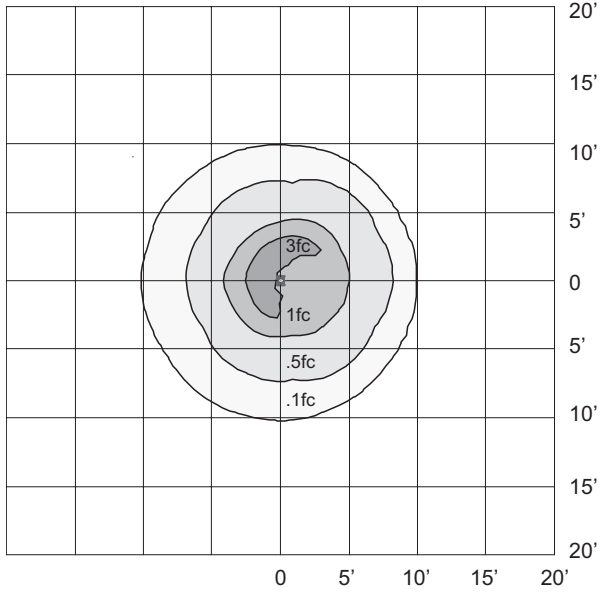
TL706-CF-42-IL INTERNAL LOUVRES



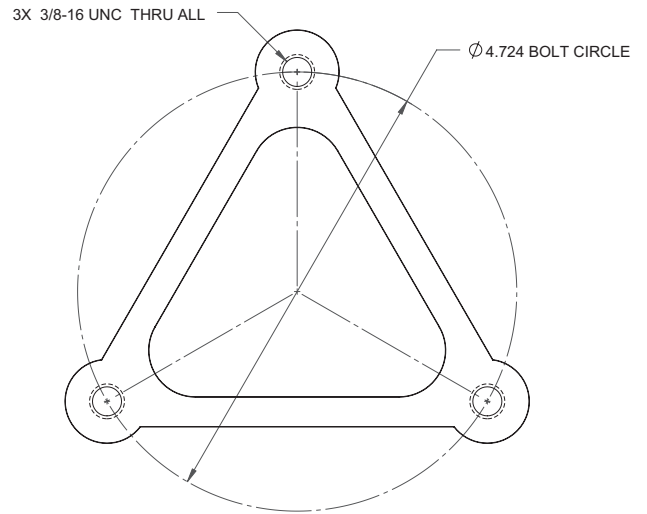
DIMENSIONS



TL706-CF-42-IR INTERNAL REFLECTOR



MOUNTING TEMPLATE



Specifications are subject to change without notice.
 Installation must be performed in accordance with
 Barron Lighting Group installation instructions.