

Model Number:	Approvals:
Accessories:	
Job:	Type:

SPECIFICATIONS

Construction:

The Trace-lite TL704 Series features a durable, extruded aluminum enclosure available in white, black or bronze powder coated finish. Enclosure is fully sealed and gasketed, and is Wet Location Listed for outdoor use. Enclosure and hardware are corrosion resistant. The TL704 is available with an adjustable specular aluminum reflector or internal aluminum louvres. The lamps and reflectors are protected by a high-impact, UV stabilized polycarbonate lens.

Lamps & Ballasts

High Pressure Sodium: Lamps from 35 to 100 watts, utilizing a medium base, glazed porcelain socket pulse rated for 4KV with either a R-Npf or HX-Hpf type ballast rated for a minimum operating temperature of -30°C (-22°F).

Metal Halide: Lamps from 50 to 100 watts, utilizing a medium base, glazed porcelain socket pulse rated for 4KV with an HX-Hpf ballast rated for a minimum operating temperature of -30°C (-22°F).

Installation:

The Trace-lite TL704 Series features a sturdy base plate anchored with three 8" J-bolts, bollard body is anchored to base using tamper resistant hardware.

ARRA - Buy America (Option: USA):

Fixture series may be built to comply with the American Recovery and Reinvestment Act of 2009 (ARRA) requirements and Buy American provisions - call factory for details.

Listing:

The TL704 is CSA listed for wet locations.

Warranty:

Any housing component that fails due to manufacturer's defect is guaranteed for two years from time of shipment. Ballasts, Capacitors, and Igniters are warranted for one year from time of shipment. Warranty does not apply to damages caused by improper installation, abuse, or fire or acts of God. Lamp is not covered by manufacturer's warranty.



SPECIFICATIONS ARE SUBJECT TO CHANGE WITHOUT NOTICE

ORDERING INFORMATION

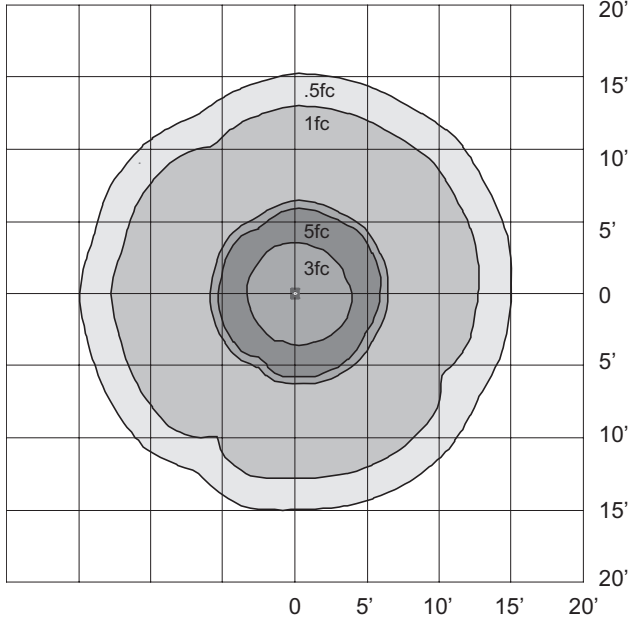
Example TL704-HPS-100- R-MT-USA

Series	Lamp Type	Lamp Wattage	Reflector	Input Voltage	Finish
TL704	HPS = High Pressure Sodium	High Pressure Sodium	IL = Internal Louvers	120 ¹ = 120VAC	Blank = Bronze
	MH = Metal Halide	35 = 35 Watts	IR = Adjustable Reflector	MT ² = 120/208/240/277VAC	WH = White
		50 = 50 Watts			BL = Black
		70 = 70 Watts			
		100 = 100 Watts			
		Metal Halide			Options (Factory Installed)
		50 = 50 Watts			SZXXX ³ = Single Line Side Fuse (120 or 277VAC)
		70 = 70 Watts			DZXXX ³ = Double Line Side Fuse (208 or 240VAC)
		100 = 100 Watts			USA = Meets Buy America Requirements

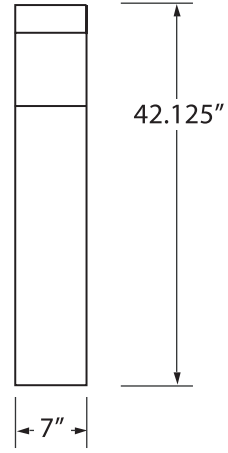
Notes	Accessories ⁴ (Field Installed)
¹ HPS lamps only	MK700-4 = Mountng Kit, Brkt & 4" Anchor Bolts
² Not available on 35 -50 watt HPS	MK700-8 = Replacement Mounting Kit, Brkt & 8" Anchor Bolts (Inc. Standard)
³ Specify voltage	MK700-12= Mounting Kit, Brkt & 12" Anchor Bolts
⁴ Order as separate line item	MK700-15= Mounting Kit, Brkt & 15" Anchor Bolts
	RL700 = Replacement Polycarbonate Lens

SAMPLE PHOTOMETRICS

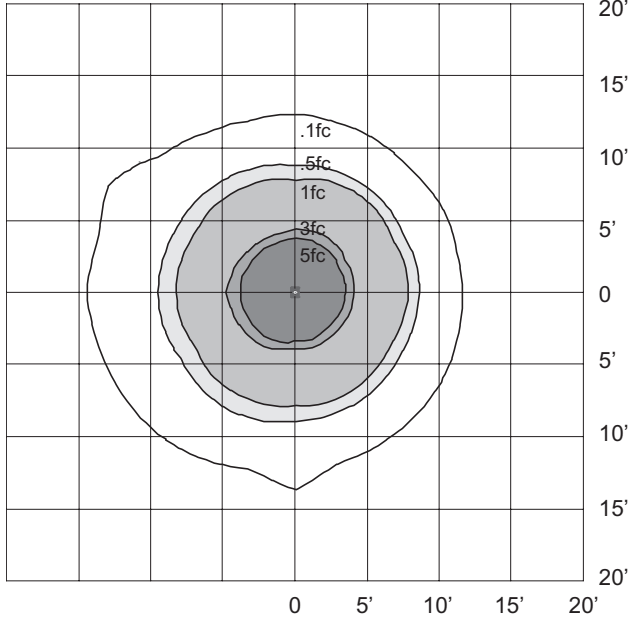
TL704 MH 100 IL INTERNAL LOUVRES



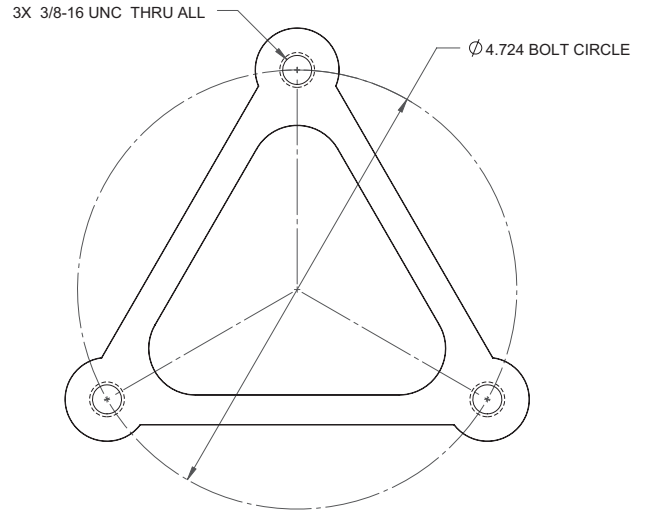
DIMENSIONS



TL704 MH 100 IR INTERNAL REFLECTOR



MOUNTING TEMPLATE



Footcandle Correction

Multiply factors times the footcandle values for changes in lamp type.

Lamps	50W HPS	100W MH	100W HPS
Factor	.44	1.00	1.05