

**SPECIFICATIONS**

**Construction:**

The Trace-lite TL702 Series features a durable, extruded aluminum enclosure available in white, black or bronze powder coated finish. Enclosure is fully sealed and gasketed, and is suitable for wet locations. Enclosure and hardware are corrosion resistant. The TL702 is available with an adjustable specular aluminum reflector or internal aluminum louvres. The lamps and reflectors are protected by a high-impact, UV stabilized polycarbonate lens.

**Lamps & Ballasts**

Metal Halide: Lamps from 50 to 100 watts, utilizing a medium base, glazed porcelain socket pulse rated for 4KV with an HX-Hpf ballast rated for a minimum operating temperature of -30°C (-22°F).

**Installation:**

The Trace-lite TL702 Series features a sturdy base plate anchored with three 8" J-bolts, bollard body is anchored to base using tamper resistant hardware.

**Listing:**

The TL702 is suitable for wet locations.

**Warranty:**

Any housing component that fails due to manufacturer's defect is guaranteed for two years from time of shipment. Ballasts, Capacitors, and Ignitors are warranted for one year from time of shipment. Warranty does not apply to damages caused by improper installation, abuse, fire or acts of God. Lamp is not covered by manufacturer's warranty.

Model: \_\_\_\_\_ Date: \_\_\_\_\_  
 Accessories: \_\_\_\_\_  
 Job Name: \_\_\_\_\_ Type: \_\_\_\_\_



**ORDERING INFORMATION**

Example: TL702-HPS-100-IR-MT

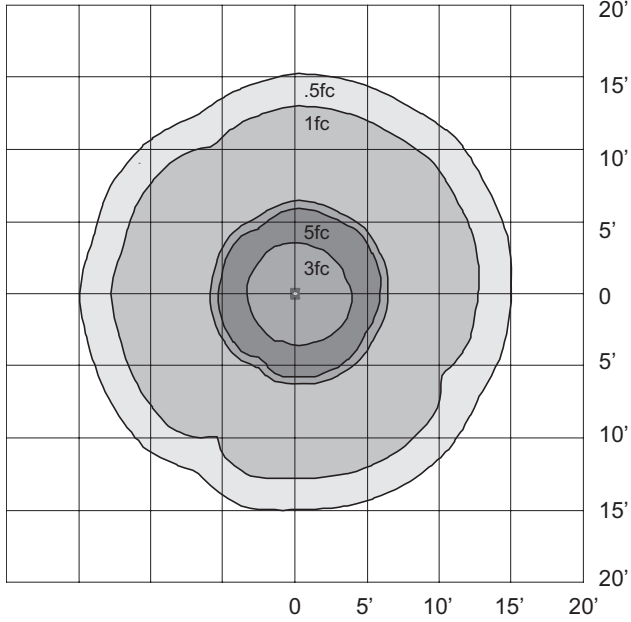
Series	Lamp Type	Lamp Wattage	Reflector	Input Voltage	Finish
TL702	MH = Metal Halide	<b>Metal Halide</b>	IL = Internal Louvres	MT = 120/208/240/277VAC	Blank = Bronze
		50 = 50 Watts	IR = Adjustable Reflector		WH = White
		70 = 70 Watts			BL = Black
		100 = 100 Watts			

Notes	Accessories <sup>1</sup> (Field Installed)
	MK700-8 = Replacement Mounting Kit, Brkt & 8" Anchor Bolts
	MK700-12 = Mounting Kit, Brkt & 12" Anchor Bolts

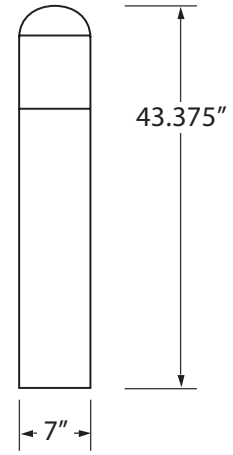
<sup>1</sup> Order as separate line item

**SAMPLE PHOTOMETRICS**

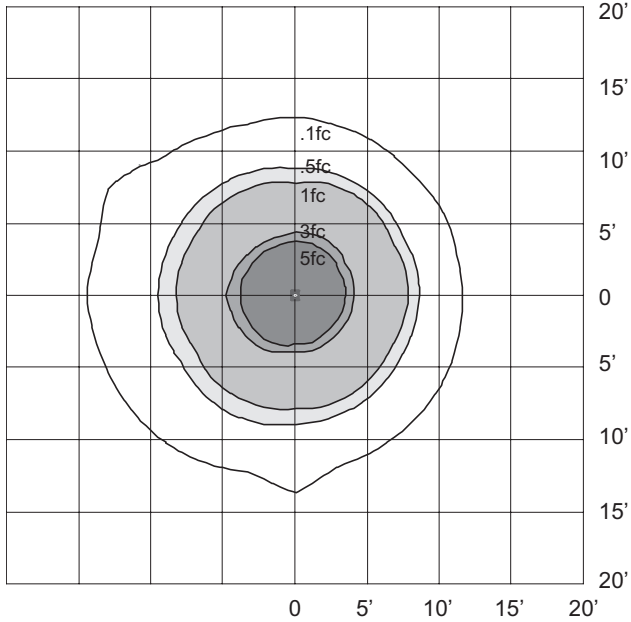
TL702-MH-100-IL INTERNAL LOUVRES



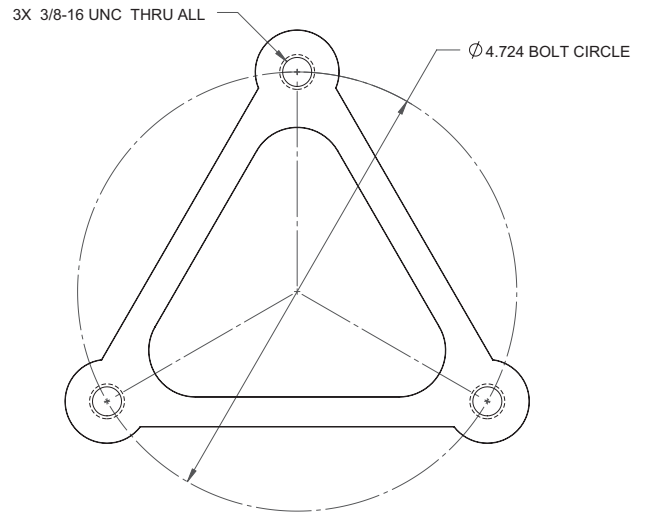
**DIMENSIONS**



TL702-MH-100-IR INTERNAL REFLECTOR



**MOUNTING TEMPLATE**



**Footcandle Correction**

Multiply factors times the footcandle values for changes in lamp type.

Lamps	100W MH
Factor	1.00

Specifications are subject to change without notice. Installation must be performed in accordance with Barron Lighting Group installation instructions.