

Model Number:

Approvals:

Accessories:

Job:

Type:

DESCRIPTION

The Trace-lite TL505 Series low bay lighting features die-cast aluminum construction, and a prismatic acrylic refractor in 16" or 22" diameters. It is ideal for factories, warehousing or any indoor location with ceiling heights under 20 feet.

SPECIFICATIONS

Construction:

The Trace-lite TL505 Series features a durable, corrosion-resistant, die-cast aluminum ballast enclosure with an white powder coated finish. The ballast compartment features external, heat-dissipating fins to extend ballast life.

The prismatic acrylic 16" or 22" reflector provides smooth even illumination and includes a 3" acrylic drop lens, other reflector options are available.

Lamps & Ballasts

High Pressure Sodium: Lamps from 250 to 400 watts, utilizing an EX39 mogul based, open rated (pink) porcelain socket pulse rated for 4KV with a CWA type ballast rated for a minimum operating temperature of -30°C (-22°F).

Pulse Start Metal Halide: Lamps from 250 to 400 watts, utilizing an EX39 mogul based, open rated (pink) porcelain socket pulse rated for 4KV with a CWA ballast rated for a minimum operating temperature of -30°C (-22°F).

Installation:

The TL504 features an easy-access wiring compartment, and comes complete with mounting hook, optional pendant mount and line cord kits are also available.

ARRA - Buy America (Option: USA):

Fixture series may be built to comply with the American Recovery and Reinvestment Act of 2009 (ARRA) requirements and Buy American provisions - call factory for details.

Quartz Restrike Option (Option: QR150):

TRACE*LITE's quartz restrke option for HID luminaires provides a restrike relay and DC bayonet socket for a quartz halogen lamp up to a 150w (lamp provided by others per specific primary HID lamp wattage and local codes). The quartz restrike option automatically lights a quartz lamp when the primary HID lamp is extinguished, the relay senses the current drawn by the HID circuit and turns the quartz lamp off after the HID lamp reaches approximately 70% output.

Listing:

The TL504 is CSA listed.

Warranty:

Any housing component that fails due to manufacturer's defect is guaranteed for two years from time of shipment. Ballasts, Capacitors, and Ignitors are warrantied for one year from time of shipment. Warranty does not apply to damages caused by improper installation, abuse, fire or acts of God. Lamp is not covered by manufacturer's warranty.

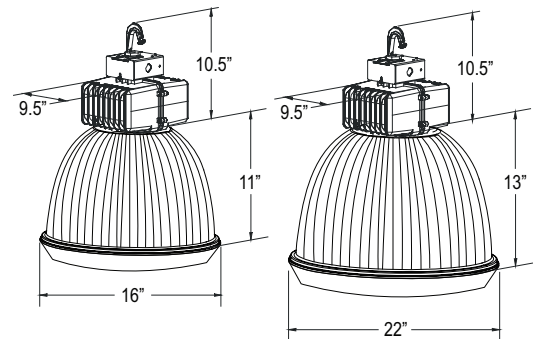


OPEN RATED
SOCKET INCLUDED!



SPECIFICATIONS ARE SUBJECT
TO CHANGE WITHOUT NOTICE

DIMENSIONS



Approximate Weight: 33 lbs.

ORDERING INFORMATION

Example TL505-16-HPS-400-MT-UNI-USA

Series	Reflector	Lamp Type	Lamp Wattage	Input Voltage	Options (Factory Installed)
TL505	16 = 16" Reflector	HPS = High Pressure Sodium	High Pressure Sodium	MT = 120/208/240/277VAC	UNI = Unit Pack, All Components For (1) Fixture in Single Carton
	22 = 22" Reflector	PSMH = Pulse Start Metal Halide	250 = 250 Watts	480 = 480VAC	QR150 = 150 Watt Quartz Restrike
			400 ¹ = 400 Watts		SZXXX ² = Single Line Side Fuse (120 or 277VAC)
			Pulse Start Metal Halide		DZXXX ² = Double Line Side Fuse (208, 240 or 480VAC)
			250 = 250 Watts		LC3 = 3' Cord
			320 ¹ = 320 Watts		LC3120 = 3' Cord w/120V Straight Blade Plug
			350 ¹ = 350 Watts		LC3120L = 3' Cord w/120V Twist Plug
			400 ¹ = 400 Watts		LC3250L = 3' Cord w/250V Twist Plug
					LC3277L = 3' Cord w/277V Twist Plug
					USA = Meets Buy America Requirements

Accessories ⁵ (Field Installed)		
	SWPS500 = Swivel Pendant Mount (Square Box)	DL50016 ^{3,4} = 16" Acrylic Drop Lens
	SWPR500 = Swivel Pendant Mount (Round Box)	DL50022 ⁵ = 22" Acrylic Drop Lens
	ACR50016 = 16" Replacement Acrylic Reflector	CB50016 = 16" Tool-Less Clamp Band
Notes	ALR50022 = 22" Replacement Acrylic Reflector	CB50022 = 22" Tool-Less Clamp Band
¹ Not available on 16" reflectors	WG50016 ⁴ = 16" Wire Guard	LC3 = 3' Cord
² Specify voltage	WG50022 ⁵ = 22" Wire Guard	LC3120 = 3' Cord w/120V Straight Blade Plug
³ 250 watt max	FA50016 ^{3,4} = 16" Flat Acrylic Lens	LC3120L = 3' Cord w/120V Twist Plug
⁴ Requires CB50016	FA50022 ⁵ = 22" Flat Acrylic Lens	LC3250L = 3' Cord w/250V Twist Plug
⁵ Requires CB50022	CA50016 ^{3,4} = 16" Conical Acrylic Lens	LC3277L = 3' Cord w/277V Twist Plug
⁶ Order as separate line item	CA50022 ⁵ = 22" Conical Acrylic Lens	SFC500 = Safety Cable



800.533.3948 • www.barronltg.com