

Model Number:

Approvals:

Accessories:

Job:

Type:

DESCRIPTION

The Trace-lite TL408 Series is ideal for parking areas, entrances, walkways, underpasses, loading docks, and recreation areas.

SPECIFICATIONS**Construction:**

The Trace-lite TL408 Series features a durable, corrosion-resistant, die-cast aluminum enclosure with an architectural bronze powder coated finish. Enclosure is listed for covered ceiling mount and includes corrosion-resistant hardware. The TL408 features a two-piece aluminum reflector, the upper can be removed to create an attractive uplight. The lamp(s) are protected by a UV stabilized, vandal-resistant, polycarbonate prismatic refractor.

Lamps & Ballasts

High Pressure Sodium: B17 type lamps from 70 to 150 watts, utilizing a medium base, glazed porcelain socket pulse rated for 4KV with either a R-NPF or HX-HPF type ballast rated for a minimum operating temperature of -30°C (-22°F).

Metal Halide: BD17 type lamps from 50 to 100 watts, utilizing a medium base, glazed porcelain socket pulse rated for 4KV with an HX-HPF ballast rated for a minimum operating temperature of -30°C (-22°F).

Pulse Start Metal Halide: BD17 type lamps from 150 watts, utilizing a medium base, glazed porcelain socket pulse rated for 4KV with a CWA ballast rated for a minimum operating temperature of -30°C (-22°F).

Installation:

The Trace-lite TL408 Series is ideal for mounting to any horizontal surface and includes a mounting plate for easy, hands-free wiring to any standard 4" junction box.

ARRA - Buy America (Option: USA):

Fixture series may be built to comply with the American Recovery and Reinvestment Act of 2009 (ARRA) requirements and Buy American provisions - call factory for details.

Quartz Restrike Option (Option: QR150):

TRACE[®]LITE's quartz restrike option for HID luminaires provides a restrike relay and DC bayonet socket for a quartz halogen lamp up to a 150w (lamp provided by others per specific primary HID lamp wattage and local codes). The quartz restrike option automatically lights a quartz lamp when the primary HID lamp is extinguished, the relay senses the current drawn by the HID circuit and turns the quartz lamp off after the HID lamp reaches approximately 70% output.

Photocontrol (Accessory: PC):

Optional field-installed photocontrol provides dusk-till-dawn security. Input voltage must be specified to match fixture input voltage.

Listing:

The TL408 is CSA listed for wet locations.

Warranty:

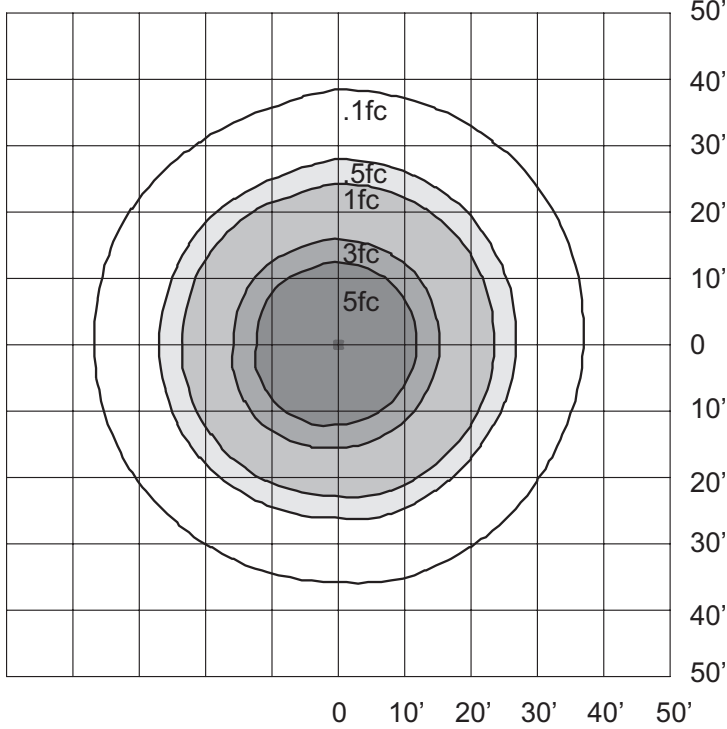
Any housing component that fails due to manufacturer's defect is guaranteed for two years from time of shipment. Ballasts, Capacitors, and Igniters are warranted for one year from time of shipment. Warranty does not apply to damages caused by improper installation, abuse, fire or acts of God. Lamp is not covered by manufacturer's warranty.



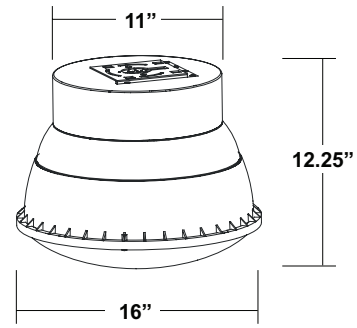
SPECIFICATIONS ARE SUBJECT
TO CHANGE WITHOUT NOTICE

SAMPLE PHOTOMETRICS

TL408-PSMH-150-BR Mounted at 10'



DIMENSIONS



Approximate Weight: 17 lbs.

Footcandle Correction

Multiply factors times the footcandle values for changes in lamp type.

Lamps	100W MH	150W PSMH	150W HPS
Factor	.68	1.00	1.20

ORDERING INFORMATION

Example: TL408-HPS-100-MT-SZ277-USA

Series	Lamp Type	Lamp Wattage	Input Voltage	Options (Factory Installed)
TL408	HPS = High Pressure Sodium	High Pressure Sodium	120 ¹ = 120VAC	QR150 = 150 Watt Quartz Restrike
	MH = Metal Halide	70 = 70 Watts	MT = 120/208/240/277VAC	SZXXX ³ = Single Line Side Fuse (120 or 277VAC)
	PSMH = Pulse Start Metal Halide	100 = 100 Watts 150 = 150 Watts	480 ² = 480VAC	DZXXX ³ = Double Line Side Fuse (208, 240 or 480VAC) USA = Meets Buy America Requirements
		Metal Halide		
Notes		50 = 50 Watts		Accessories⁴ (Field Installed)
¹ HPS only		70 = 70 Watts		PMJB = Offset Pendant Mount J-Box
² 100-150 watt only		100 = 100 Watts		SWPR = Swivel Pendant Mount (Round)
³ Specify voltage		Pulse Start Metal Halide		SWPS = Swivel Pendant Mount (Square)
⁴ Order as separate line item		150 = 150 Watts		RL408 = Replacement Lens

