

Model Number:

Accessories:

Type:

Job:

Approvals:

PRODUCT SPECIFICATIONS

CONSTRUCTION

The Trace-lite TL406EX-IND Induction Series utilizes a durable, corrosion-resistant, die-cast aluminum enclosure, featuring built-in heat sinks and an architectural bronze powder coated finish. Enclosure is fully sealed and gasketed, and is Wet Location Listed for outdoor use and includes corrosion-resistant hardware. The TL406EX-IND features an internal, white steel reflector which provides ideal light distribution, and the lamp is protected by a vandal-resistant, polycarbonate prismatic refractor.

ELECTRONICS

The TL406EX-IND utilizes an electronic ballast, producing a high-frequency current, controlled by an integrated circuit (IC) chip allowing a power factor of up to 99%. Minimum operating temp of -25°C (-13°F), maximum operating temp of 50°C (122°F).

LAMPS

The TL406EX-IND is available with 100W (8000 initial lumens) or 120W (9600 initial lumens) induction lamps. The induction lamps have a 5000K color temperature, provide a CRI of >80 (Ra) and have a 100,000 hour rated life.

Lamps and Ballasts are listed and certified by CE, FCC, UL, ISO and also meet the Electromagnetic Compatibility (EMC) standard.

INSTALLATION

The Trace-lite TL406EX-IND Series is ideal for mounting to any horizontal surface and features an easy hang bracket that fits a standard 4" junction box for simple, one-person installation.

WARRANTY

Any housing component that fails due to manufacturer's defect is guaranteed for two years from time of shipment. Induction lamps and ballasts are not manufactured by Trace-lite and will be warrantied by the manufacturer for a period of five years. Trace-lite will act as the agent for these suppliers and assist in any way possible. Warranty does not apply to damages caused by improper installation, abuse, fire or acts of God.



The Trace-lite TL406EX-IND Series is ideal for parking areas, entrances, walkways, underpasses, loading docks, and recreation areas.



SPECIFICATIONS ARE SUBJECT TO CHANGE WITHOUT NOTICE

ORDERING INFORMATION

TL406EX	IND	80	120	SZ120	PMJB
SERIES	LAMP	WATTS	VOLTS	OPTIONS (Factory Installed)	ACCESSORIES¹ (Field Installed)
TL406EX	IND = Induction	100 ¹ = 100W 120 = 120W	120 = 120VAC 277 = 277VAC MT ² = 120~277VAC		PC1 = 120V Photocontrol PC2 = 277V Photocontrol SWPR = Swivel Pendant Mount (Round) SWPS = Swivel Pendant Mount (Square) RL406EX = Replacement Lens
			SZXXX ¹ = Single Line Side Fuse (Specify 120 or 277V) USA = Meets Buy America Requirements		

¹ Specify 120 or 277V

² Not available on 100W lamp

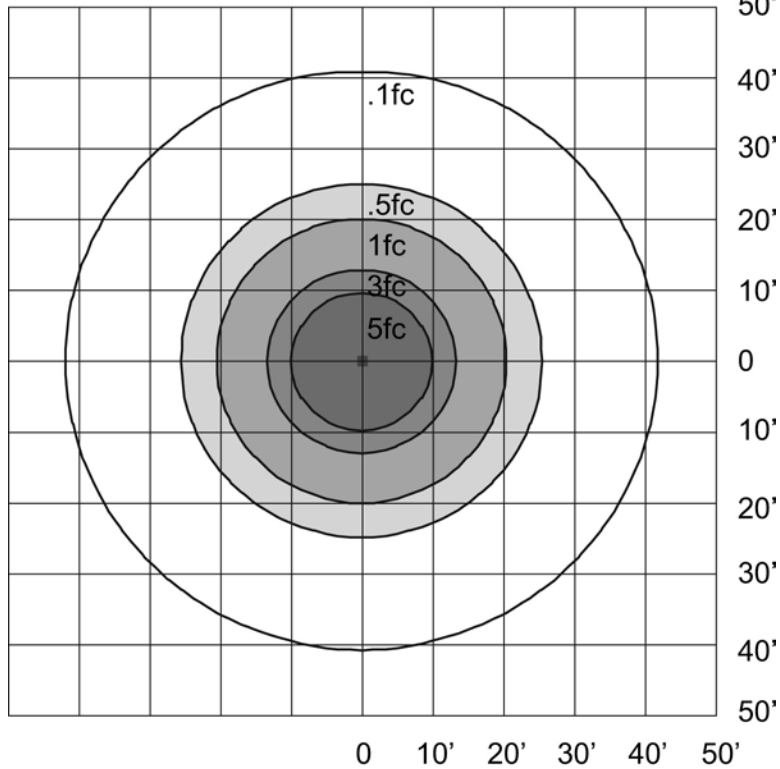
³ Order as Separate Line Item

ELECTRICAL SPECIFICATIONS

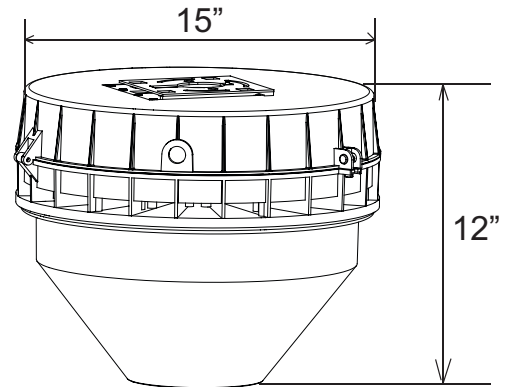
Lamp Wattage	Ballast Type	Power Factor	Max Watts	Amps @ 120V	Amps @277V	Min. Temp	Max Temp	Initial Lumens	CCT	CRI	Rated Lamp Life
100	Electronic	Up to 99%	108W	.90	.39	-25°C (-13°F)	50°C (122°F)	8000	5000K	>80 (Ra)	100,000 Hour
120			128W	1.09	.47			9600			

SAMPLE PHOTOMETRICS

TL406EX-IND-120 Mounted at 10'



DIMENSIONS



Approximate Weight: 15 lbs.