

DESCRIPTION

The Trace-lite TL101-CF Series is a small, economical wallpack that is ideal for accent, security, and entry lighting. Perfect for entrance ways, garages, overpasses, tunnels, and alleys. Available with High Pressure Sodium lamps for any application.

SPECIFICATIONS

Construction:

The Trace-lite TL101-CF Series features a durable, vandal -resistant, injection molded polycarbonate enclosure with an architectural bronze finish. Enclosure is fully sealed and gasketed, and is Wet Location Listed for outdoor use. Enclosure and hardware are corrosion resistant. The TL101-CF features an internal, anodized aluminum reflector which provides ideal light distribution, and the lamp is protected by a high-impact, UV stabilized polycarbonate prismatic refractor.

Lamps & Ballasts

Compact Fluorescent: 4-Pin Triple Tube lamps from 26 to 42 watts, utilizing a GX24-q3 base with an electronic programmed start ballast rated for a minimum operating temperature of -20°C (-4°F).

Installation:

The Trace-lite TL101-CF Series is ideal for mounting to any vertical surface and features a rugged die-cast aluminum mounting plate. Can be wired to a 4" junction box, or surface mounted using the 1/2" NPS conduit entry point.

Photocontrol (Accessory: PC):

120VAC photocontrol included standard and provides dusk-till-dawn security. Optional 277VAC is also available.

Listing:

The TL101-CF is suitable for wet locations.

Warranty:

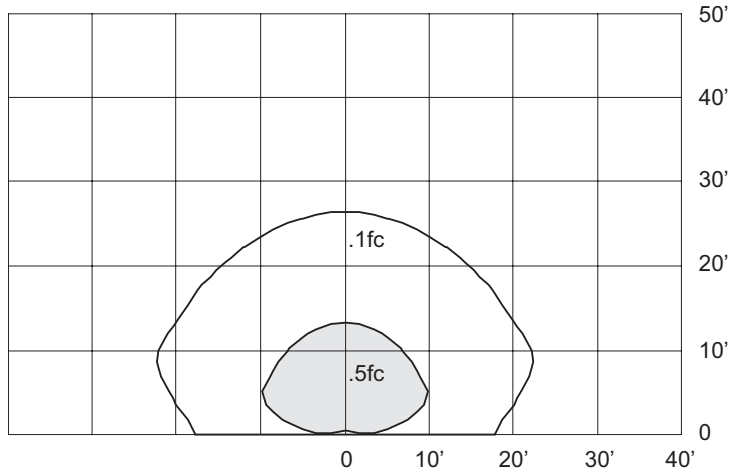
Any housing component that fails due to manufacturer's defect is guaranteed for two years from time of shipment. Ballasts, Capacitors, and Ignitors are warrantied for one year from time of shipment. Warranty does not apply to damages caused by improper installation, abuse, fire or acts of God. Lamp is not covered by manufacturer's warranty.

Model: _____ Date: _____
Accessories: _____
Job Name: _____ Type: _____

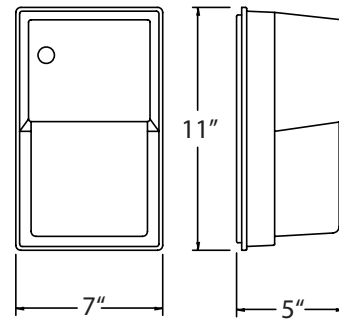


SAMPLE PHOTOMETRICS

TL101-CF-42 Mounted at 10'



DIMENSIONS



Approximate Weight: 4 lbs.

ORDERING INFORMATION

Example: TL101-CF-42-120/277

Series	Lamp Type	Lamp Wattage	Input Voltage	Accessories ¹ (Field Installed)
TL101	CF = Compact Fluorescent	26 = 26 Watts 42 = 42 Watts	120/277 = 120/277VAC	PC2 = 208-277VAC Photocontrol

Notes

¹ Order as separate line item