

DESCRIPTION

The slim architectural SLW Series LED wallpack features integrated photocontrol and motion detection in both “normally on” and UL 924 listed emergency egress models. The fully gasketed die-cast enclosure is IP65 rated and UL listed for wet locations. The SLW’s 15w watt LED light engine delivers 1,500 lumens in AC mode and 600 lumens in emergency mode. Zero uplight optics ensure dark sky compliance.

SPECIFICATIONS

Construction:

- Architectural die-cast aluminum housing
- Snap-fit housing to mounting plate for easy access and installation
- Universal pattern knockouts on back for mounting to 3” & 4” j-box
- ½” Threaded conduit entry for top feed
- Available in Bronze, Black, White or Silver finish

Optics/ LEDs:

- 15w high power LED light engine delivers 1,500 lumens (600 lumens in emergency mode)
- Standard 4000K CCT, CRI ≥ 70, L70 > 72,000 hours
- LED array is protected by a high impact, UV resistant polycarbonate lens

Electrical:

- Class 2 power supply, 120-277VAC, 60 Hz
- EM option uses long-life, maintenance-free, rechargeable high temperature NiCad battery which includes heater suitable for cold locations and draws an additional 17w.
- Standard integral controls include:
 - Photocontrol provides dusk to dawn security lighting
 - Passive infrared (PIR) motion sensor with up to 10ft detection allows for additional power savings. Unit will shut off after 2 min of inactivity

Installation:

- Ideal for mounting to any vertical surface by attaching to a 3” or 4” j-box
- Can be surface or pendant mounted using the ½” conduit entry point at top of housing

Options:

- Emergency (EM) battery back-up is UL924 listed to provide a minimum 90 minutes operation during a loss of power, with a 24 hour maximum recharge time for battery. Standard with self-test/ self-diagnostics as well as a heater for cold location operation to -25°C. AC power indicator and test switch are located on bottom face of the unit.

Testing & Compliance:

- UL listed for wet locations
- IP65
- Emergency model UL924 listed, NFPA 70, NFPA 101
- DesignLights Consortium® (DLC) qualified (verify QPL for specific models)
- Complies with Title 24 of the California Code of Regulations
- Operating temperature: -25°C to 50°C (-13°F to 122°F)

Warranty:

- 5 Year Warranty (Terms and Conditions Apply)

Model: _____ Date: _____
 Accessories: _____
 Job Name: _____ Type: _____

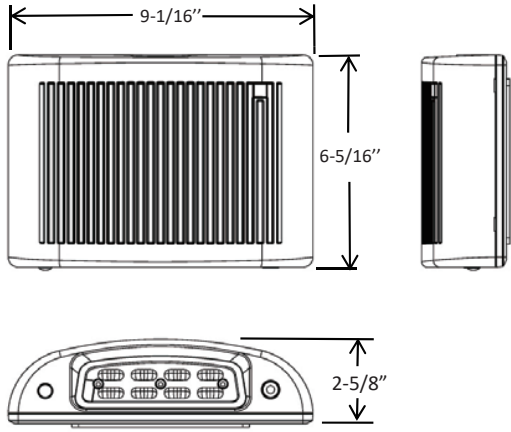


Specs at a Glance	
Wattage (w)	15
Lumens (lm)	1,500
Efficacy (LPW)	100
Equivalency	100w HID
CCT	4000K
CRI	70
Input Voltage	120-277VAC
Warranty	5 Years
Certifications	UL Listed for Wet Locations, DLC, UL924, NFPA 101, Title 24 Compliant
Ambient Temp	-25°C to 50°C (-13°F to 122°F)

Ordering Information

Model	Wattage	CCT	Finish	Options
SLW	15 = 15 watt	4K = 4000K	(Blank) = Bronze BL = Black SV = Silver WH = White	EM ¹ = UL924 Emergency battery back-up with self test/self-diagnostics
Notes				
¹ EM model not DLC Qualified product				

Dimensions



Sample Photometrics

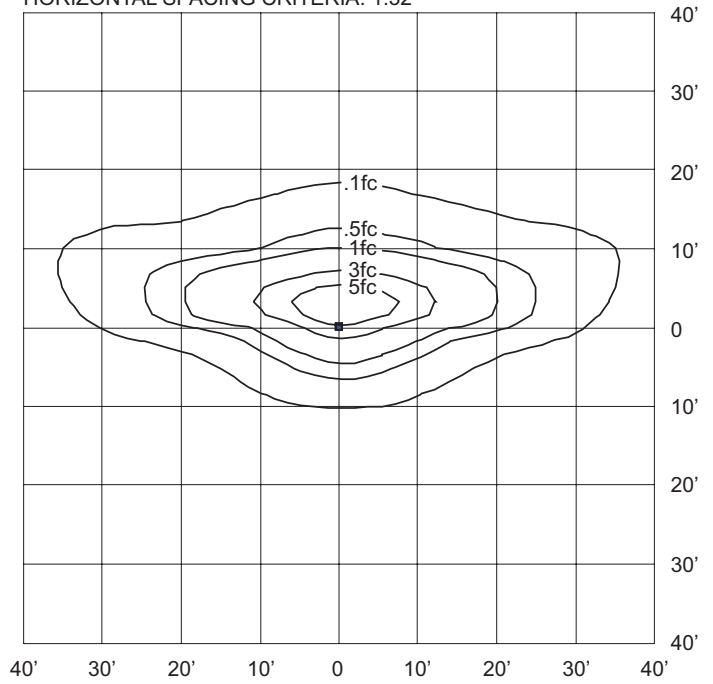
SLW-15-4K

IES: TYPE I SHORT

MOUNTING HEIGHT: 10 FEET

TILT: ZERO

HORIZONTAL SPACING CRITERIA: 1.32



ON-CENTER SPACING FOR UNITS WITH "EM" OPTION

Using multiple SLW units mounted at a typical 10 foot height delivers 60 foot on center spacing with a 6 foot wide path of egress.

