

DESCRIPTION

The SCS-S is Trace-Lite's new low-profile 12" surface mount soft square canopy with optional integral factory-installed dimming occupancy sensor with daylight sensing capabilities. This canopy optimizes optical performance and long-life with superior thermal management in an attractive and durable die-formed aluminum enclosure and premium PMMA lens that does not yellow over time. The SC sensor option provides multi-level motion control and includes a photocontrol to measure the ambient light levels. This product can be easily surface or pendant mounted and is the ideal energy-saving solution for a wide spectrum of applications including, but not limited to, parking garages, schools, office complexes, light commercial development, apartments, walkways, entryways and stairwells.

CONSTRUCTION

- 12" Square canopy with rounded corners in a precision die-formed aluminum enclosure and non-metallic mounting backplate
- White powder coat finish
- IP65 rated light engine compartment
- Single 3/4" side knockout

OPTICS/LEDS

- UV-stabilized polymethyl methacrylate (PMMA) optics that will not yellow over time
- LED Garage optic provides a type V symmetric square distribution with light focused in the 60° to 80° zones to optimize spacing with even light distribution
- Available in 35W and 54W configurations with up to 6288 lumens for maximum project flexibility
- Efficacies up to 123 LPW maximize energy savings and utility rebates
- 4000K CCT
- L70 of 190,000 hours
- CRI ≥72

ELECTRICAL

- 120-277VAC, 50/60Hz
- 0-10V Dimming driver

INSTALLATION

- Fixture enclosure is attached to backplate by four white fasteners
- Backplate easily attaches to a recessed 3" or 4" J-box
- Pendant mounted using a standard 1/2" downrod and hardware (supplied by others)

OPTION

- Integral 0-10V dimming occupancy sensor with built-in daylight control (SC)

ACCESSORY

- Remote control allows changes in the field to the sensor's default settings (TL-RCSCH)

TESTING & COMPLIANCE

- cETLus Listed to UL1598 for Wet Locations for covered canopy applications
- DesignLights Consortium® (DLC) PREMIUM Qualified
- Meets state of California Title 24 requirement for dimming and control of light fixtures
- Operating temperatures: -40°C to 40°C (-40°F to 104°F)

WARRANTY

- Five year warranty (terms and conditions apply)

Model: _____ Date: _____
 Accessories: _____
 Job Name: _____ Type: _____



Specs At A Glance*		
Model	SCS-S-40	SCS-S-54
Wattage (W)	35	54
Lumens (lm)	4663	6288
Efficacy (LPW)	123	119
Equivalency (HID)	100W	150W
Distribution	LED Garage (LG) - Type V Square Short	
CCT	4000K	
CRI	≥72	
Input Voltage	120-277VAC, 50/60Hz, 0-10V Dimmable	
Operating Temp	-40°C to 40°C (-40°F to 104°F)	
Certifications	cETLus Listed, Wet Locations Covered Canopy, DLC PREMIUM	
Warranty	5 Years	
Weight	8.0 lbs	

*Nominal Wattage

Note: Environment and application will affect actual performance. Typical values and 25°C used for testing. Specifications subject to change without notice.

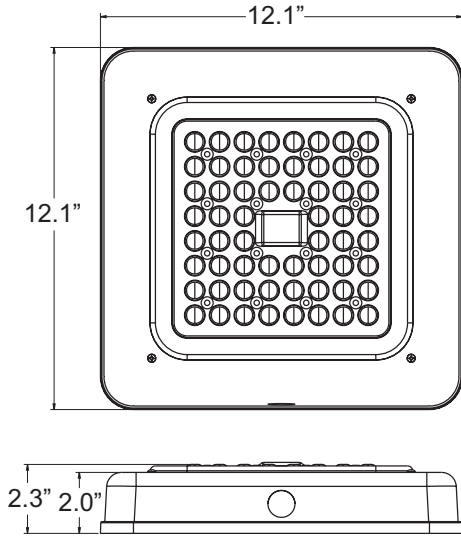
ORDERING INFORMATION

Example: SCS-S-40-LG-VS-4K-WH-SC

Series	Wattage	Optics	Input Voltage	CCT	Finish	Options
SCS-S	40 = 35 Watts 54 = 54 Watts	LG = LED Garage	VS = 120-277V	4K = 4000K	WH = White	SC = Integral dimming sensor with daylight harvesting

Notes	Accessories ¹ (Field Installed)
¹ Order as separate line item, shipped in separate box	TL-RCSCH = Remote control for SC option

DIMENSIONS



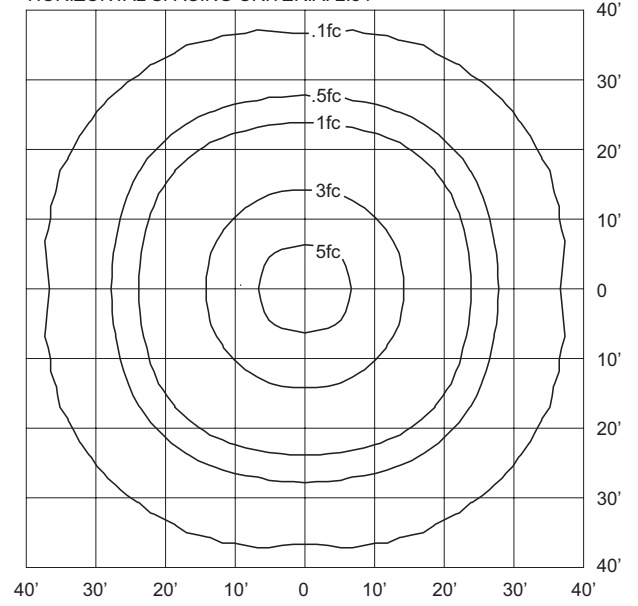
SAMPLE PHOTOMETRICS

SCS-S-54-LG-VS-4K


IES: Type V Square Short

MOUNTING HEIGHT: 10'

HORIZONTAL SPACING CRITERIA: 2.54




Dip Switch Sensor Settings

		1	2	
	I	ON	ON	100%
	II	ON	OFF	75%
	III	OFF	ON	50%
	IV	OFF	OFF	10%

Default settings with grey background


Detection area

Detection area can be reduced by selecting the combination on the DIP switches to fit precisely each application

		1	2	3	
	I	ON	ON	ON	5S
	II	ON	ON	OFF	30S
	III	ON	OFF	ON	1MIN
	IV	ON	OFF	OFF	5MIN
	V	OFF	ON	ON	10min
	VI	OFF	ON	OFF	20min
	V	OFF	OFF	OFF	30min

Hold time


Refers to the time period the lamp remains at 100% illumination after no motion detected.

		1	2	
	I	ON	ON	Disable
	II	ON	OFF	50Lux
	III	OFF	ON	10Lux
	IV	OFF	OFF	2Lux

Daylight sensor

The daylight sensor can be set on DIP switched to fit a particular application.


- I **Disable:** The lamp always works, even during daylight hours.
- II **50 Lux:** The lamp only works in twilight and in darkness.
- III **10 Lux:** The lamp only works in twilight and in darkness.
- IV **2 Lux:** The lamp only works in darkness.

		1	2	3	
	I	ON	ON	ON	0S
	II	ON	ON	OFF	10S
	III	ON	OFF	ON	1min
	IV	ON	OFF	OFF	5min
	V	OFF	ON	ON	10min
	VI	OFF	ON	OFF	30MIN
	VII	OFF	OFF	ON	1h
	VII	OFF	OFF	OFF	+∞

Stand-by period (tri-level control)

Refers to the time period the lamp remains at a low light level before it completely switches off in the long absence of people.

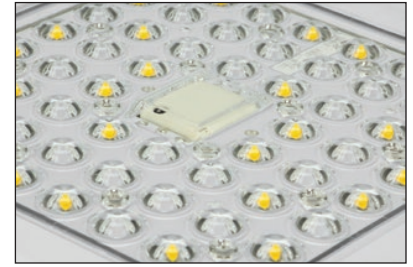
Note: "0S" means on/off control;
 "+∞" means bi-level control, fixture never switches off when daylight sensor is disabled.

		1	2	
	I	ON	ON	10%
	II	ON	OFF	20%
	III	OFF	ON	30%
	IV	OFF	OFF	50%

Stand-by dimming level

The low light level you would like to have after the hold time in the long absence of people.

Integral Sensor Detail



TL-RCSC

Remote control accessory for SC option

